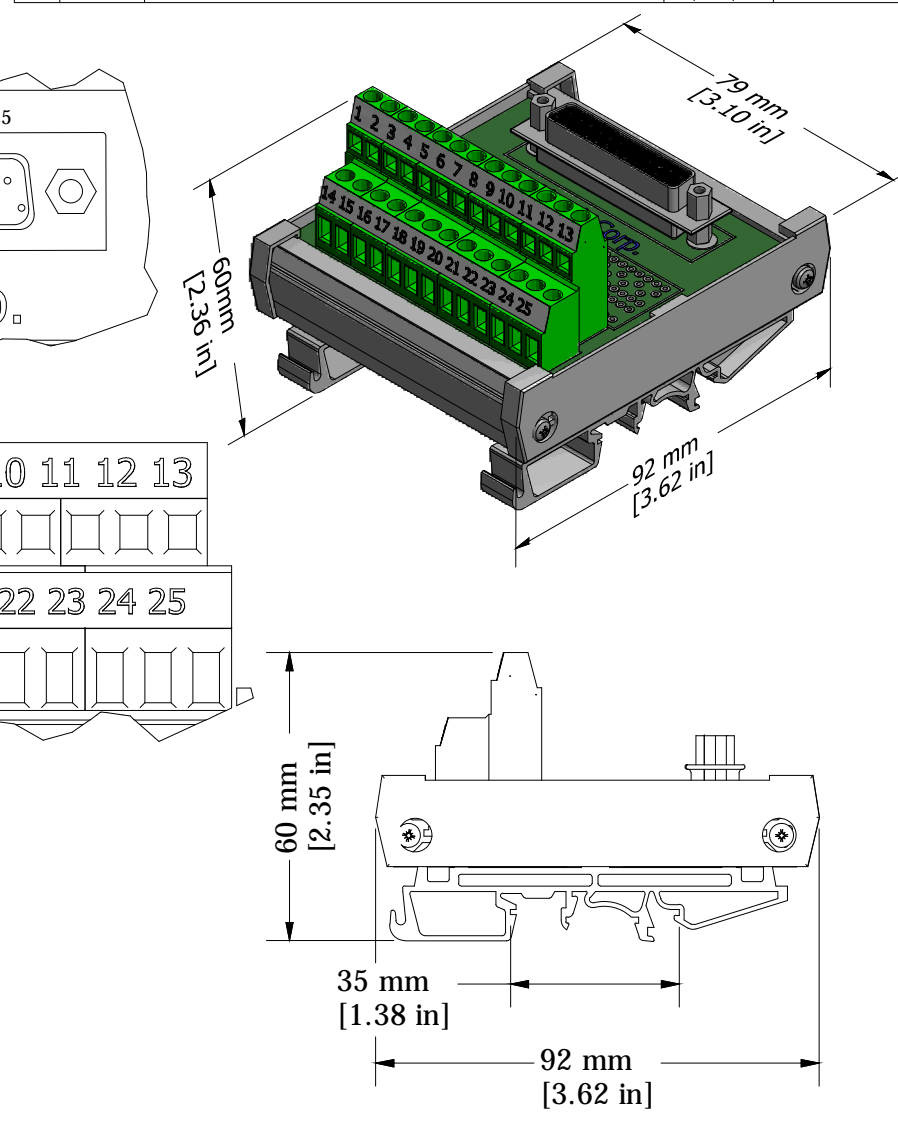
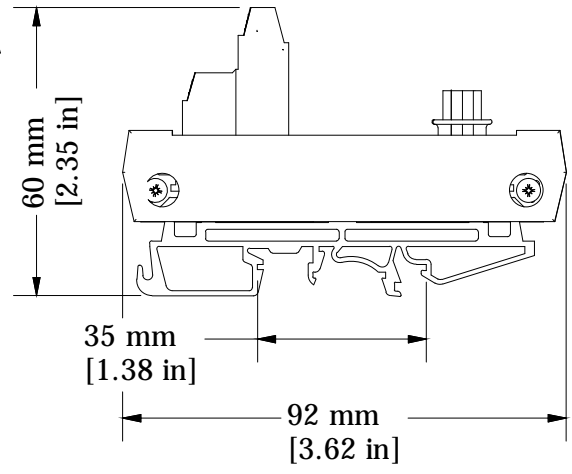
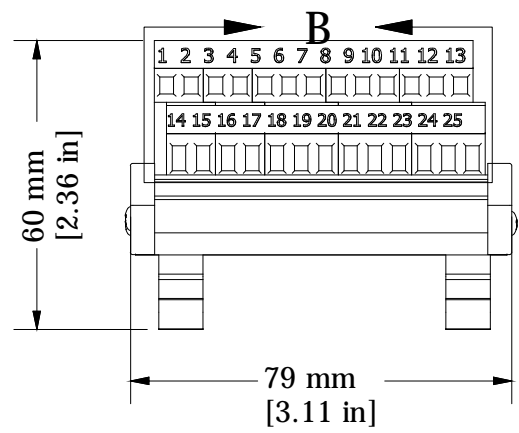
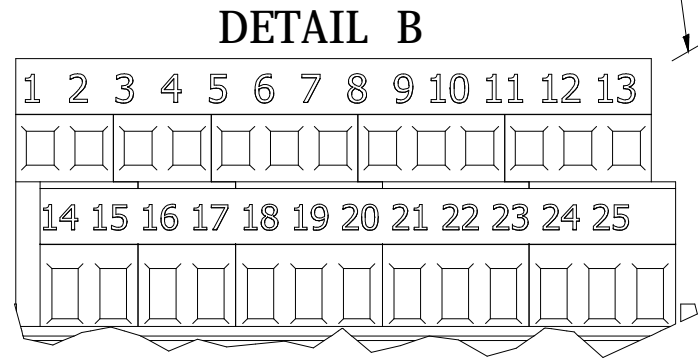
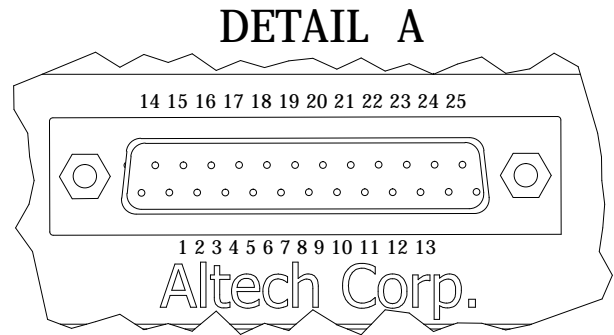
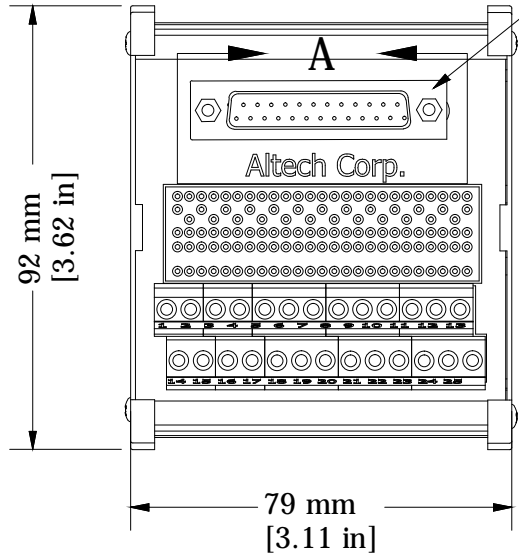


REV		CH.NO.	DESCRIPTION	DATE	REVISED BY
-	-	-	ORIGINAL DESIGN	01/18/13	ROLAND G



SD 25 Pin FEMALE CONNECTOR



UNLESS OTHERWISE SPECIFIED

- ALL DIMENSIONS ARE IN MILLIMETERS
- THIRD ANGLE PROJECTION

TOLERANCE	
XX	1.00 mm
XX.X	0.50 mm
XX.XX	0.20 mm
ALL	XX mm

This Drawing is the property of
Altech Corp.
 35 Royal Road
 Flemington NJ 08822-6000
 (908) 806-9400 • Fax (908) 806-9490

AND IS A CONFIDENTIAL DISCLOSURE LENT WITHOUT CONSIDERATION OTHER THAN THE BORROWER'S AGREEMENT THAT IT SHALL NOT BE REPRODUCED, COPIED, LENT, OR DISPOSED OF DIRECTLY OR INDIRECTLY NOR USED FOR ANY PURPOSE OTHER THAN THAT FOR WHICH IT IS SPECIFICALLY FURNISHED.

TITLE: INTERFACE CONNECTOR TO WIRE MODULE Sub-D; 25 Pin; FEMALE; PN:5747.2		DRAWING NO.: M-CAD-71-SubD25M		REV.: -
DRAWN BY: ROLAND GYORGYPAL	01/18/2013	RELEASED BY: LASZLO G	01/18/2013	SCALE: -
CHECKED BY: LASZLO G	01/18/2013	SHEET: 1		OF: 1