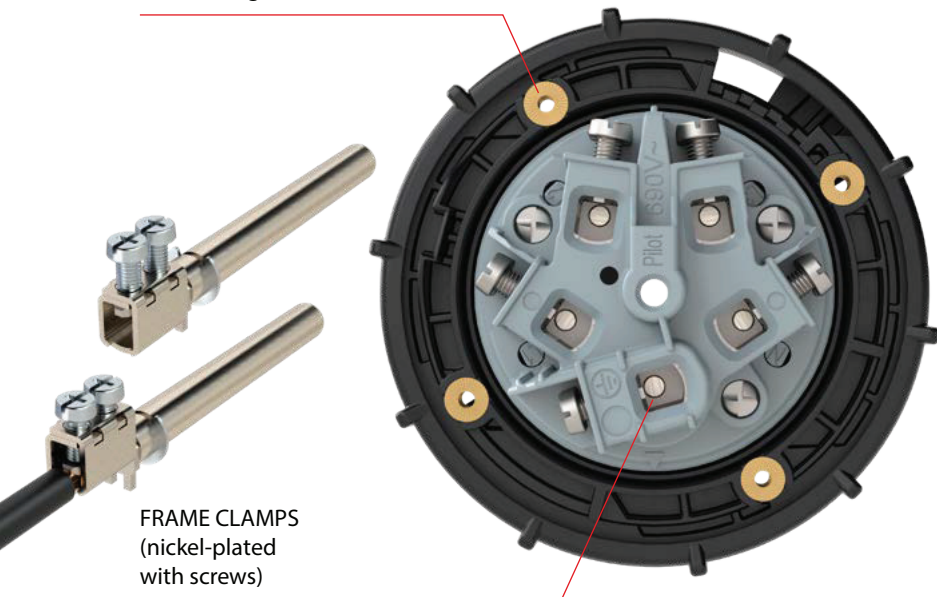


# PRODUCT INFORMATION

## Features and benefits 60A



BRASS INSERTS (for housing screws)





CABLE CLAMP  
with strain relief

NPT thread 1 1/2"  
for liquid conduits

SLEEVES with SPRING  
brass with CuBe lamellar spring

**ADVANTAGES:**

- soft insert and extraction
- high strength and elasticity
- very good conductivity
- corrosion resistance
- wear resistance

**QUALITY • RELIABILITY • ROBUSTNESS • SAFETY**



# PLUGS

## 60A IP67/IP69k watertight



60A

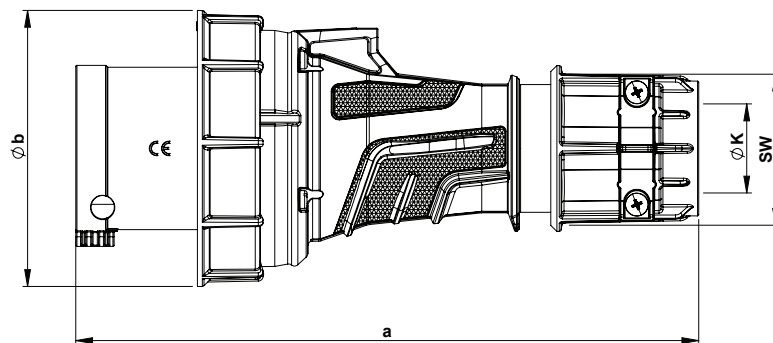
- with frame terminals
- housing material: PA6
- contacts: nickel plated
- OSHA-compliant hole for padlock
- cable gland with 1 ½ NPT

wire configuration	clock position	Symbol	Voltage (colors)	60A part number	UL LISTED 60A
2P3W (3p)	4h		120Vac	0339-4	✓
	5h		277Vac	0339-5	✓
	6h		250Vac	0339-6	✓
	7h		480Vac	0339-7	✓
3P4W (4p)	3h		380,440Vac	0349-3	✓
	5h		600Vac	0349-5	✓
	6h		380Vac	0349-6	✓
	7h		480Vac	0349-7	✓
	9h		250Vac	0349-9	✓
	12h		120/250Vac single phase	0349-12	✓
4P5W (5p)	2h		>50Vac 300-500Hz	0359-2	✓
	5h		347/600Vac	0359-5	✓
	6h		200/346 to 240/415Vac	0359-6	✓
	7h		277/480Vac	0359-7	✓
	9h		120/208Vac	0359-9	✓

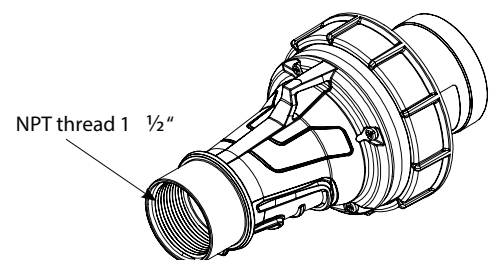


UL-product category: QLHN / QLHN7  
UL-file number: E232901

IP67  
IP69k

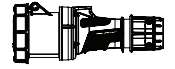


	60A		
Poles	2P3W (3p)	3P4W (4p)	4P5W (5p)
a [mm / inch]	260 / 10.24	260 / 10.24	260 / 10.24
Øb [mm / inch]	115 / 4.53	115 / 4.53	115 / 4.53
ØK [mm / inch]	15-37 / 0.59-1.46	15-37 / 0.59-1.46	15-37 / 0.59-1.46
SW [mm / inch]	62 / 2.44	62 / 2.44	62 / 2.44
Weight [g / lb]	601 / 1.32	648 / 1.43	697 / 1.54





60A



# CONNECTORS

60A IP67

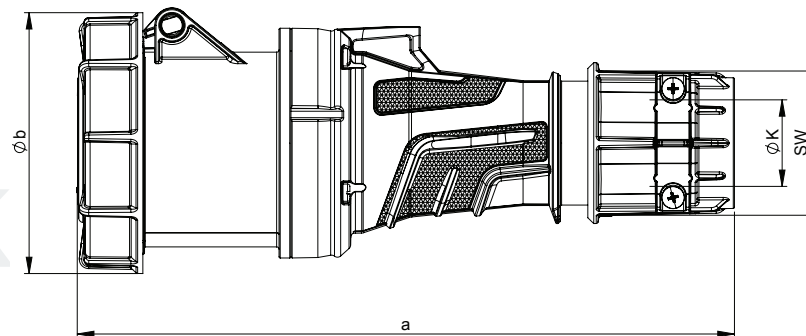
- with frame terminals
- housing material: PA6
- contacts: brass with lamellar spring CuBe
- cable gland with 1 ½ NPT

wire configuration	clock position	Symbol	Voltage (colors)	60A part number	UL LISTED 60A
2P3W (3p)	4h		120Vac	2339-4	✓
	5h		277Vac	2339-5	✓
	6h		250Vac	2339-6	✓
	7h		480Vac	2339-7	✓
3P4W (4p)	3h		380,440Vac	2349-3	✓
	5h		600Vac	2349-5	✓
	6h		380Vac	2349-6	✓
	7h		480Vac	2349-7	✓
	9h		250Vac	2349-9	✓
	12h		120/250Vac single phase	2349-12	✓
4P5W (5p)	2h		>50Vac 300-500Hz	2359-2	✓
	5h		347/600Vac	2359-5	✓
	6h		200/346 to 240/415Vac	2359-6	✓
	7h		277/480Vac	2359-7	✓
	9h		120/208Vac	2359-9	✓

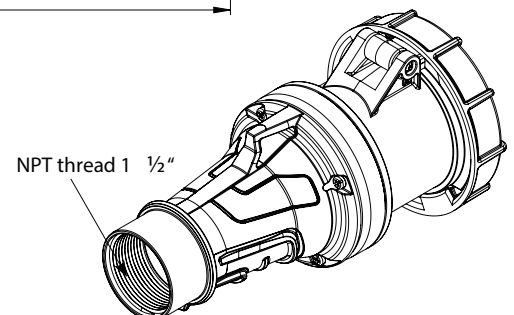


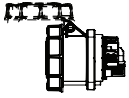
UL-product category: QLHN / QLHN7  
UL-file number: E232901

IP67  
IP69k



	60A		
Poles	2P3W (3p)	3P4W (4p)	4P5W (5p)
a [mm / inch]	275 / 10.83	275 / 10.83	275 / 10.83
Øb [mm / inch]	112 / 4.41	112 / 4.41	112 / 4.41
ØK [mm / inch]	15-37 / 0.59-1.46	15-37 / 0.59-1.46	15-37 / 0.59-1.46
SW [mm / inch]	62 / 2.44	62 / 2.44	62 / 2.44
Weight [g / lb]	761 / 1.68	802 / 1.77	860 / 1.9





# RECEPTACLES FLANGE STRAIGHT



60A

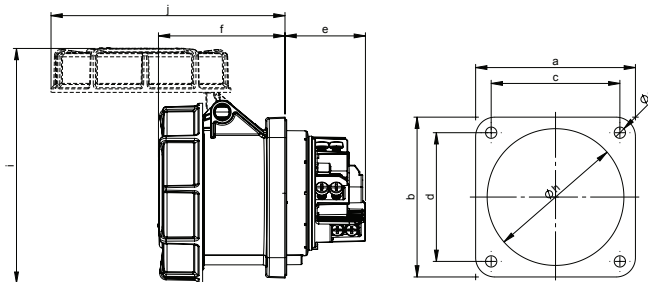
- with frame terminals
- housing material: PA6
- contacts: brass with lamellar spring CuBe
- flange size 100x100mm (3.94x3.94 inches)

wire configuration	clock position	Symbol	Voltage (colors)	60A part number	UL LISTED 60A
2P3W (3p)	4h		120Vac	3339-4	✓
	5h		277Vac	3339-5	✓
	6h		250Vac	3339-6	✓
	7h		480Vac	3339-7	✓
3P4W (4p)	3h		380,440Vac	3349-3	✓
	5h		600Vac	3349-5	✓
	6h		380Vac	3349-6	✓
	7h		480Vac	3349-7	✓
	9h		250Vac	3349-9	✓
	12h		120/250Vac single phase	3349-12	✓
4P5W (5p)	2h		>50Vac 300-500Hz	3359-2	✓
	5h		347/600Vac	3359-5	✓
	6h		200/346 to 240/415Vac	3359-6	✓
	7h		277/480Vac	3359-7	✓
	9h		120/208Vac	3359-9	✓

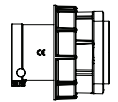


UL-product category: QLIW / QLIW7  
UL-file number: E252008

IP67  
IP69k



Poles	60A		
	2P3W (3p)	3P4W (4p)	4P5W (5p)
a x b [mm / inch]	100x100 / 3.94x3.94	100x100 / 3.94x3.94	100x100 / 3.94x3.94
c x d [mm / inch]	80x80 / 3.15x3.15	80x80 / 3.15x3.15	80x80 / 3.15x3.15
e [mm / inch]	50 / 1.97	50 / 1.97	50 / 1.97
f [mm / inch]	80 / 3.15	80 / 3.15	80 / 3.15
g [mm / inch]	7 / 0.28	7 / 0.28	7 / 0.28
h [mm / inch]	85 / 3.35	85 / 3.35	85 / 3.35
i [mm / inch]	147 / 5.79	147 / 5.79	147 / 5.79
j [mm / inch]	146 / 5.75	146 / 5.75	146 / 5.75
Weight [g / lb]	488 / 1.08	533 / 1.18	587 / 1.29



# INLETS FLANGE STRAIGHT

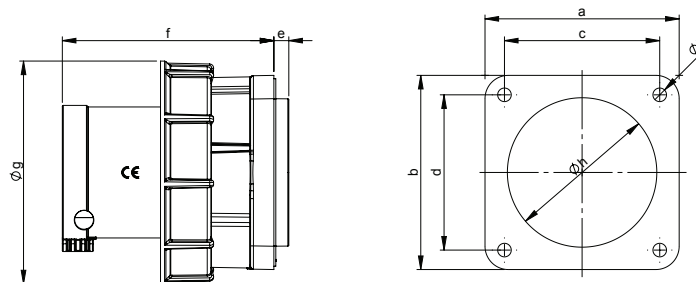
- with frame terminals
- housing material: PA6
- contacts: nickel plated
- OSHA-compliant hole for padlock

wire configuration	clock position	Symbol	Voltage (colors)	60A part number	UL <sup>®</sup> US LISTED 60A
2P3W (3p)	4h		120Vac	6339-4	✓
	5h		277Vac	6339-5	✓
	6h		250Vac	6339-6	✓
	7h		480Vac	6339-7	✓
3P4W (4p)	3h		380,440Vac	6349-3	✓
	5h		600Vac	6349-5	✓
	6h		380Vac	6349-6	✓
	7h		480Vac	6349-7	✓
	9h		250Vac	6349-9	✓
	12h		120/250Vac single phase	6349-12	✓
4P5W (5p)	2h		>50Vac 300-500Hz	6359-2	✓
	5h		347/600Vac	6359-5	✓
	6h		200/346 to 240/415Vac	6359-6	✓
	7h		277/480Vac	6359-7	✓
	9h		120/208Vac	6359-9	✓



UL-product category: QLIW / QLIW7  
UL-file number: E252008

IP67  
IP69k



Poles	60A		
	2P3W (3p)	3P4W (4p)	4P5W (5p)
a x b [mm / inch]	100x100 / 3.94x3.94	100x100 / 3.94x3.94	100x100 / 3.94x3.94
c x d [mm / inch]	80x80 / 3.15x3.15	80x80 / 3.15x3.15	80x80 / 3.15x3.15
e [mm / inch]	50 / 1.97	50 / 1.97	50 / 1.97
f [mm / inch]	80 / 3.15	80 / 3.15	80 / 3.15
g [mm / inch]	7 / 0.28	7 / 0.28	7 / 0.28
h [mm / inch]	85 / 3.35	85 / 3.35	85 / 3.35
i [mm / inch]	147 / 5.79	147 / 5.79	147 / 5.79
j [mm / inch]	146 / 5.75	146 / 5.75	146 / 5.75
Weight [g / lb]	474 / 1.04	497 / 1.1	550 / 1.21

# TECHNICAL DATA

ELECTRICAL	
Insulation Voltage, Max (Volts)	16/20A and 32/30A = 690V (Plugs, Connectors, Receptacles, Inlets) 60A = 690V (Plugs, Connectors, Receptacles, Inlets)
Dielectric Withstanding Voltage	16/20A and 32/30A = 3000V (Plugs, Connectors, Receptacles, Inlets) 60A = 3000V (Plugs, Connectors, Receptacles, Inlets)
Current Interrupting	IEC: Certified for current interrupting at 110% of the rated operating voltage and 125% of the rated current at a power factor of 0.6 (16A and 32A). UL: Certified for current interrupting at 100% of the rated operating voltage and 150% of the rated current at a power factor of 0.75-0.80 (20A and 30A) 150% of the rated current at a power factor of 0.75-0.80 (60A)
Endurance, Connect and disconnect cycles	IEC: 16A = 5000 with load at a power factor of 0.6 32A = 2000 ( 1000 alternating without load and 1000 with load at a power factor of 0.6) UL: 20A = 5000 with load at a power factor of 0.75-0.80 30A = 2000 (1000 alternating without load and 1000 with load at a power factor of 0.75-0.80) 60A = 2000 (1000 alternating without load and 1000 with load at a power factor of 0.75-0.80)

MECHANICAL	
Impact Resistance	Per IEC 60309-1 / Clause 24; UL 1682 and CSA C22.2 182.1 / Clause 5.13
<b>Terminal Identification</b>	Per IEC 60309-1 / Sub-clause 7.5; UL 1682 and CSA C22.2 182.1

ENVIRONMENTAL	
Temperature Range, Operating	-25°C to +80°C (-13°F to +176°F)
Moisture Resistance	Splashproof IP44; Watertight IP67; Per IEC 60309-1 / Clause 18
Flammability	Per IEC 60309-1 / Clause 27: Contact Carrying Parts: 850°C Non Contact Carrying Parts: 650°C Flame Class Rating UL 94 or CSA C22.2 No.0.17: V-2

MATERIAL	16/32A and 20/30A	60A
Housing (Front and Back)	Polyamide 6	Polyamide 6
Cover	Polyamide 6	Polyamide 6
Hinged lid axle	Polyamide 6	Polycarbonat
Cover Spring	Spring Steel	Stainless steel
Contact Carrier	Polyamide 6	Polyamide 6 glass fiber reinforced
Contacts	Brass or Nickel-plated Brass	Brass or Nickel-plated Brass
Terminal Screws	Steel, Brass or Nickel-plated Brass	Steel
Cord Clamp / Bushing	Polypropylene and Thermoplastic Elastomer	Polyamide 6 glass fiber reinforced
Gland Nut	Polyamide 6	Polyamide 6 glass fiber reinforced
Locking Ring	Polyamide 6	Polycarbonat
Assembly Screws	Steel	Stainless steel

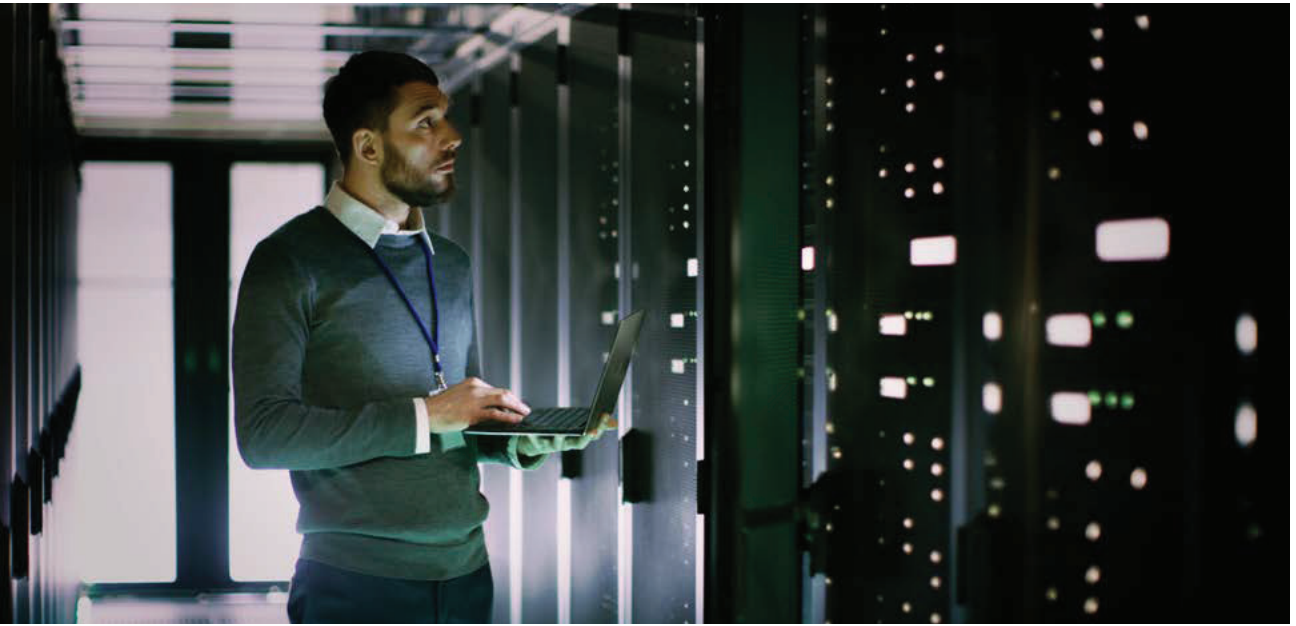
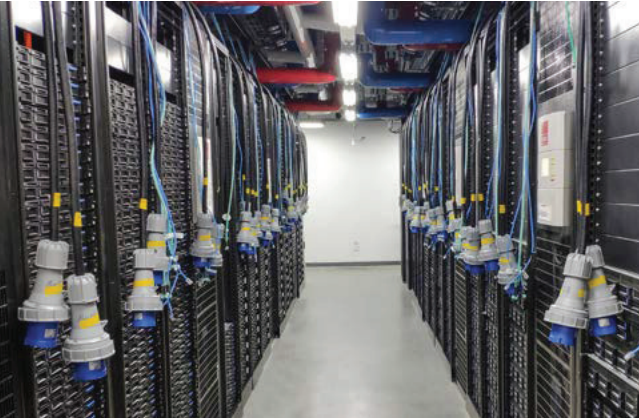
## FIELDS OF APPLICATION

### Data Centers



### Reliable power supply for data centers

When it comes to powering server cabinets, 100% reliability is essential. PCE's high-quality pin & sleeve devices are ideal for PDUs in data centers. We offer plugs, connectors, wall sockets, and receptacles tailored to your needs. Our service is fast and flexible, even for large quantities.



# ENTWURF

## FIELDS OF APPLICATION

Examples



FOOD INDUSTRY



OEM BUSINESS AND  
POWER CORDS

FILM AND EVENT  
INDUSTRY



# INDUSTRIAL MANUFACTURING



... AND MANY MORE ...

