

### FEATURES:

- High Sensitivity (0.6mm)
- 10-30VDC Supply
- Detection and Counting Application
- Compact and Robust Design
- Dynamic Sensor Technology
- Various Ring Diameters



<b>RING DIAMETER</b>	<b>100mm (3.94in.)</b>	<b>200mm (7.87in.)</b>	<b>300mm (11.81in.)</b>
<b>SENSITIVITY</b>	<b>1.3mm (0.05in.)</b>	<b>3.0mm (0.12in.)</b>	<b>4.0mm (0.16in.)</b>

### Part No.

<b>NPN Output</b>	<b>KJR-D100AN-DNIA-V2</b>	<b>KJR-200AN-DNIA-V2</b>	<b>KJR-D300AN-DNIA-V2</b>
<b>PNP Output</b>	<b>KJR-D100AN-DPIA-V2</b>	<b>KJR-200AN-DPIA-V2</b>	<b>KJR-D300AN-DPIA-V2</b>

### Sensor Data

<b>Output</b>	NO/ NC	NO/ NC	NO/ NC
<b>Switching Frequency</b>	100Hz	100Hz	100Hz
<b>Switching State</b>	LED	LED	LED
<b>Connector</b>	M12, 4 pole	M12, 4 pole	M12, 4 pole

### Electrical Data

<b>Operating Voltage</b>	11-30VDC	11-30VDC	11-30VDC
<b>Off-state Current</b>	≤ 25mA	≤ 25mA	≤ 25mA
<b>Max. Load Current</b>	50mA	50mA	50mA
<b>Residual Current</b>	≤ 10μA	≤ 10μA	≤ 10μA
<b>Ripple Voltage</b>	≤ 10%	≤ 10%	≤ 10%
<b>Voltage Drop</b>	≤ 2.4V	≤ 2.4V	≤ 2.4V
<b>Hysteresis</b>	≤ 15%	≤ 15%	≤ 15%

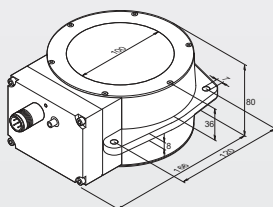
### Environmental Data

<b>Operating Temperature</b>	-25°C to +70°C (-13°F to +158°F)	-25°C to +70°C (-13°F to +158°F)	-25°C to +70°C (-13°F to +158°F)
<b>Protection Class</b>	IP54	IP54	IP54
<b>Aluminum</b>	Aluminum	Aluminum	Aluminum

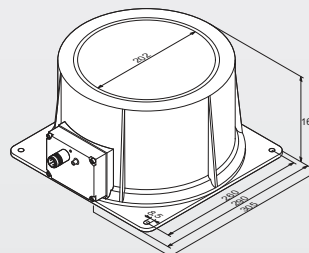
### Accessories (page 11)

<b>M12 Connecting Cable</b>	2m	9512-5310	9512-5310	9512-5310
	5m	9512-5312	9512-5312	9512-5312
<b>SDK4 Connecting Cable</b>	2m	-	-	-
	5m	-	-	-
<b>Control Unit</b>	230VAC/ 24VDC	8349005011	8349005011	8349005011
	115VAC/ 24VDC	8349005013	8349005013	8349005013

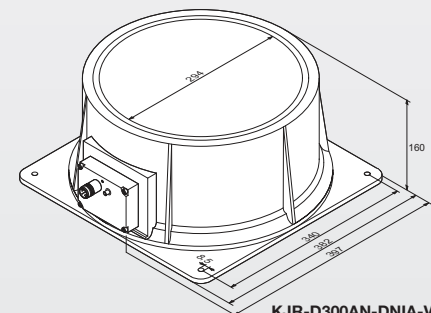
### Dimensions



KJR-100AN-DNIA-V2  
KJR-100AN-DPIA-V2



KJR-200AN-DNIA-V2  
KJR-200AN-DPIA-V2



KJR-D300AN-DNIA-V2  
KJR-D300AN-DPIA-V2