

### FEATURES:

- 10-30VDC Supply
- Detection and Counting Application
- Compact and Robust Design
- Static Sensor Technology
- Various Ring Diameters (50-300mm)



<b>RING DIAMETER</b>	<b>200mm (7.87in.)</b>	<b>300mm (11.81in.)</b>
<b>SENSITIVITY</b>	<b>15.0mm (0.59in.)</b>	<b>30.0mm (1.18in.)</b>

### Part No.

<b>NPN Output</b>	<b>KJR-200AN-DNA-V2</b>	<b>KJR-D300AN-DNA-V2</b>
<b>PNP Output</b>	<b>KJR-200AN-DPA-V2</b>	<b>KJR-D300AN-DPA-V2</b>

### Sensor Data

Output	NO/ NC	NO/ NC
Switching Frequency	300Hz	300Hz
Switching State	LED	LED
Connector	M12, 4 pole	M12, 4 pole

### Electrical Data

Operating Voltage	10-30VDC	10-30VDC
Off-state Current	≤ 10mA	≤ 10mA
Max. Load Current	200mA	200mA
Residual Current	≤ 10μA	≤ 10μA
Ripple Voltage	≤ 10%	≤ 10%
Voltage Drop	≤ 2.4V	≤ 2.4V
Hysteresis	≤ 15%	≤ 15%

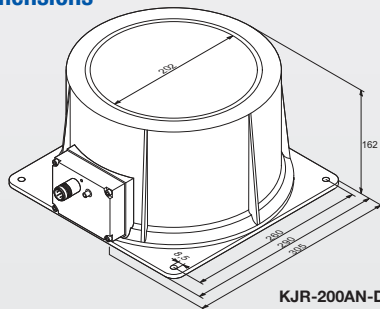
### Environmental Data

Operating Temperature	-25°C to +70°C (-13°F to +158°F)	-25°C to +70°C (-13°F to +158°F)
Protection Class	IP54	IP54
Aluminum	Aluminum	Aluminum

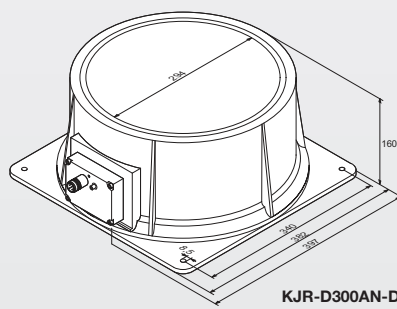
### Accessories (page 11)

M12 Connecting Cable	2m	9512-5310	9512-5310
	5m	9512-5312	9512-5312
SDK4 Connecting Cable	2m	-	-
	5m	-	-
Control Unit	230VAC/ 24VDC	8349005011	8349005011
	115VAC/ 24VDC	8349005013	8349005013

### Dimensions



KJR-200AN-DNA-V2  
KJR-200AN-DPA-V2



KJR-D300AN-DNA-V2  
KJR-D300AN-DPA-V2