

1-CHANNEL CONTROL UNIT FOR FLAT SENSORS

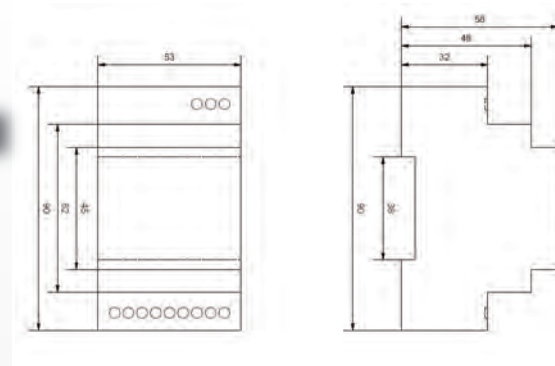
The Control Units can be operated with all Flat Pack and SP Series Flat Sensors. They allow evaluation of the sensor signals and at the same time they are their power supply.

Features

- DIN Rail Mount
- For Use with all Flat Pack and SP Series Sensors
- 115V AC and 230V AC version
- Operation with 24VDC
- Transistor and Relay Output
- Adjustable Pulse Duration of Output Signal



Dimensions



Technical Specifications

Part No.	8349005010	8349005012
Supply Voltage	230 VAC (50/60Hz), 24 VDC	115 VAC (50/60Hz), 24 VDC
Sensor Supply	15VDC, max. 80mA (Overload and Short Circuit Protected)	
Transistor Output	1 x NPN, 1 x PNP, 20mA open collector	
Relay Output	1 x SPDT, max. 250 VAC, 5A	
Speed	1..10/ 1..30/1-100/1-150 m/min	
Output Pulse Duration	1..10s/ 1..60s adjustable	
Operating Temperature	-10°C..+50°C	
Storage Temperature	-10°C..+60°C	
Protection Class	IP20	
Housing Material	Polycarbonate (UL94V-0)	

10-CHANNEL CONTROL UNIT FOR FLAT SENSORS

The Control Unit provides 10 inputs and can analyse either several Flat Pack or RP Series sensors. If one of the connected sensors (max. 10) sends a signal it will be evaluated. With the outputs it is possible to e.g either activate an Alarm or stop the conveyor belt.

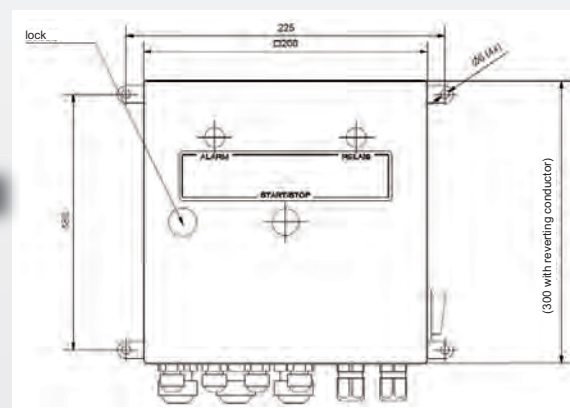
On the device there are buttons for "Start"/ "Stop". Two potentiometer inside of the control unit allow adjustments to the sensitivity of the Flat sensor.

Features

- Panel or DIN Rail Mount
- For Use with all Flat Pack and SP Series Sensors
- Universal Supply Voltage 110-250VAC
- Operation with 24VDC
- Transistor and Relay Output



Dimensions



Technical Specifications

Part No. (Mounting)	8349005010 (Panel)	8349005012 (DIN RAIL)
Supply Voltage	110-250 VAC (50/60Hz), 24 VDC	
Sensor Supply	15VDC, max. 120mA (Overload and Short Circuit Protected)	
Transistor Output	1 x NPN, 1 x PNP, 20mA open collector	
Relay Output	1 x SPDT, max. 250 VAC, 5A	
Speed	1..10/ 1..30/1-100/1-150 m/min	
Output Pulse Duration	1..60s	
Operating Temperature	-10°C..+50°C	
Storage Temperature	-10°C..+60°C	
Protection Class	IP54/ IP20	
Housing Material	Steel	