



Abox Pro Series

Abox Pro Series (formerly the Abox-i Series) junction boxes for harsh environments can be used wherever extreme conditions are encountered: offshore platforms, ocean vessels, petrochemical plants, agriculture, steel mills and railways.

These enclosures are similar to the Abox series but made in a stronger material with a more rugged design. The two series share similar features like terminal offering, mounting options and basic design. However the Abox Pro series is suitable for use in unprotected outdoor environments.

- Direct mount
- Glass reinforced Polycarbonate
- Integral seal
- Impervious to sea air and water
- IP66/67/69 protection
- High temperature resistance
- High mechanical strength (IK09)
- Corrosion and maintenance free
- Halogen free
- Standard knockouts
- 7 different sizes
- Contemporary styling
- UV fade resistance for optimal outdoor use
- High chemical resistance
- Wire sizes from 2.5mm² sq. to 35mm² sq. (14-2 AWG)
- Ideal for installations in high risk fire areas

CONVENIENCE AND RELIABILITY

Abox Pro enclosures are manufactured in Polycarbonate and are approved by several international test agencies. The new enclosures have high impact resistance and protect against water, heat and sunlight.



Extremely robust

Temperatures from -35°C to +80 °C.

Heat, cold, humidity or direct sunlight - the new Abox Pro can withstand the most adverse outdoor conditions without any problems.



Industry

For industry and extreme conditions.

With an impact resistance of IK09, high chemical resistance and temperature resistance of up to 80°C, the Abox Pro offers durable protection in extreme applications.



Agriculture + farming

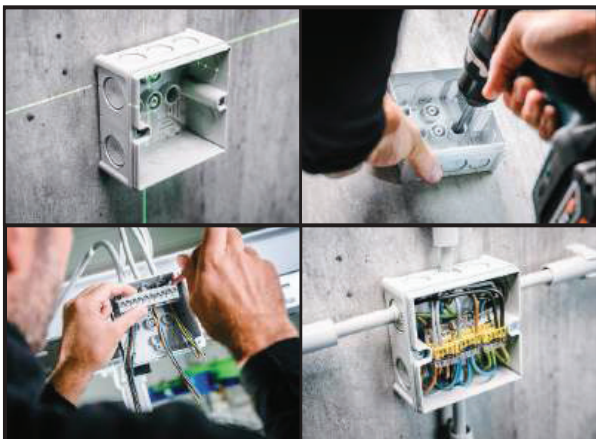
Safety for people and animals.

Electrical installations in agriculture require reliable protection. Influences such as dust, moisture and ammonia make it necessary to use materials with DLG certification.



No compromises in safety.

For us it's mandatory: the entire Abox series is subject to extensive testing and certifications. It is VDE and DLG certified. The DNV certifications means that the Abox Pro version is approved for use in shipping and maritime applications.



Abox & Abox Pro Series Features

The Abox Pro series offers the same terminal and mounting features as the standard Abox series, see intro page for more details on these features.

- Center markings - Perfect alignment in record time
- Internal mounting - Quickly and easily onto the wall
- Larger interior space - Wiring made easy
- A modern terminal technique

Abox Pro 025 – Polycarbonate – 92 x 92 mm (3.62 x 3.62 in.)

Standard Features

- **Protection Level:** IP66/IP67/IP69
- **Technical:** Knockout Sidewalls (M16/M20)
- **UL Recognized**
- **Enclosure Material:** Polycarbonate
- **Gasket Material:** Thermoplastic Elastomer
- **Color:** Light Gray or Black
- **Material Operating Temperature Range:** Polycarbonate
-35°C to 80°C (-31°F to 176°F)
- **Included Accessories:** (4) M20 Double Membrane Seals for 7-13mm Cables
Cover Retainer
- **Accessories:** See section below

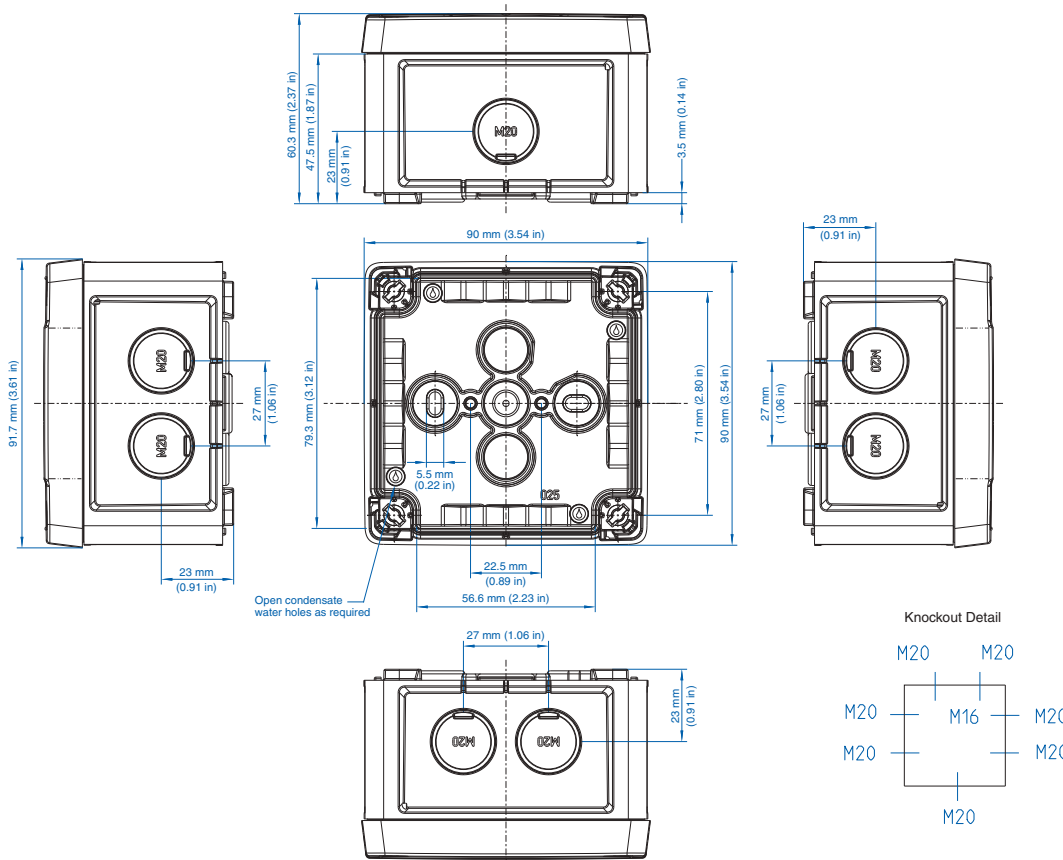


Abox Pro

Ordering Information	Cat. No.	Color	Push-In Terminal	Length	Dimensions mm (in) Width	Height	Std. Pk.
Enclosure with terminals	402-420-01	gray	2.5 mm ² - 5 pole x 5	92 mm (3.62 in)	92 mm (3.62 in)	60 mm (2.36 in)	3
Enclosure with terminals	402-020-01	black	2.5 mm ² - 5 pole x 5	92 mm (3.62 in)	92 mm (3.62 in)	60 mm (2.36 in)	3
Enclosure - empty	402-400-01	gray	NA	92 mm (3.62 in)	92 mm (3.62 in)	60 mm (2.36 in)	3
Enclosure - empty	402-000-01	black	NA	92 mm (3.62 in)	92 mm (3.62 in)	60 mm (2.36 in)	3

Accessories

Ordering Information	Cat. No.	Type	Std. Pk.
DIN Rail TS15 - 15x61 mm	895-202-01	TS15/61	1
Pole Mount Kit (60-170mm)	896-010-01	MABF65-1	1
Terminal (base mount)	896-404-01	2.5/4 mm ² - 5 pole, 41A/690V	10



Standard Features

- **Protection Level:** IP66/IP67/IP69
- **Technical:** Knockout Sidewalls (M16/M20)
Integral Mounting Tabs
- **UL Recognized**
- **Enclosure Material:** Polycarbonate
- **Gasket Material:** Thermoplastic Elastomer
- **Color:** Light Gray or Black
- **Material Operating Temperature Range:** Polycarbonate
-35°C to 80°C (-31°F to 176°F)
- **Included Accessories:** (4) M20 Double Membrane Seals for 7-13mm Cables
Cover Retainer
Cover Retainer
- **Accessories:** See section below

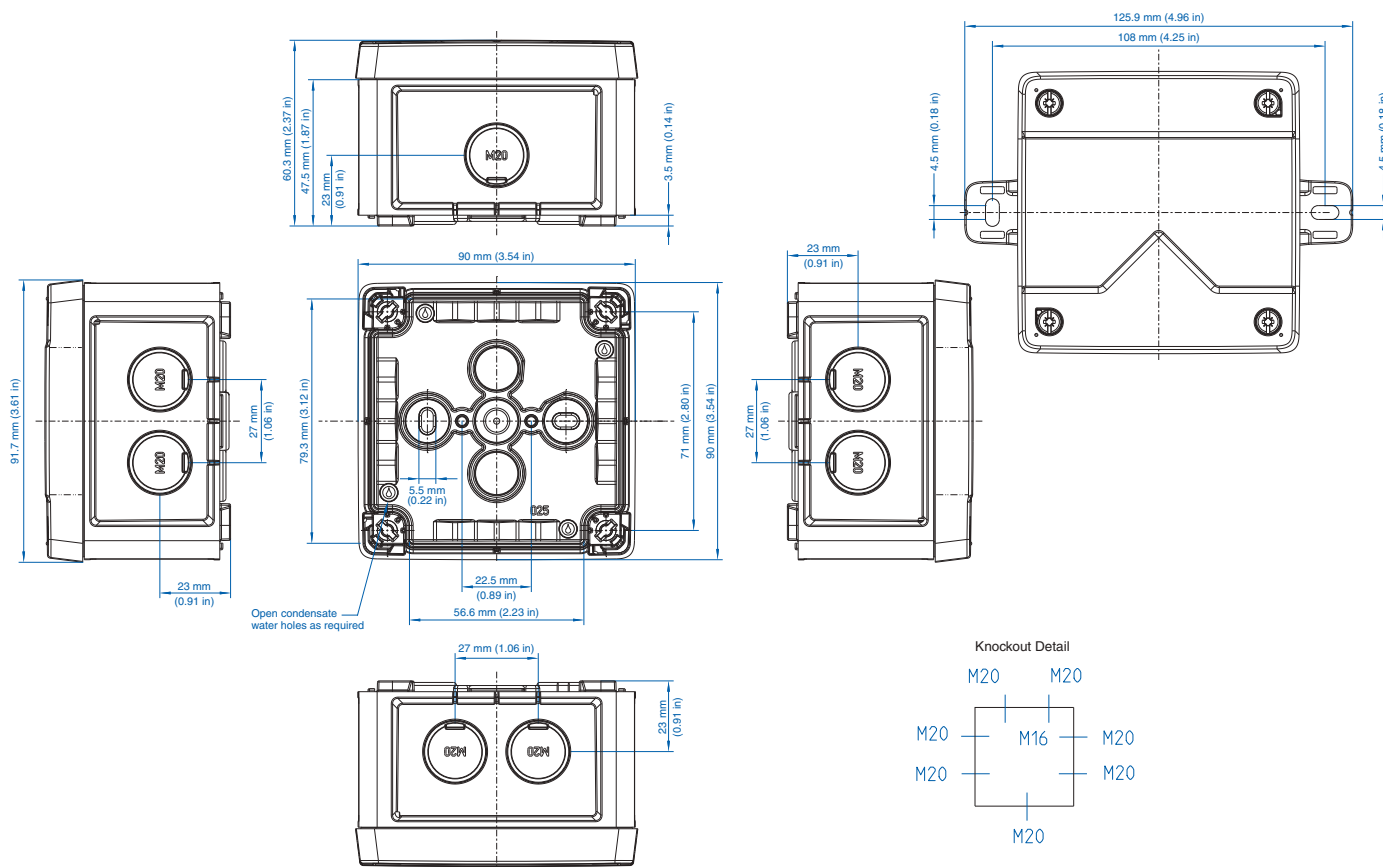


Abox Pro

Ordering Information	Cat. No.	Color	Push-In Terminal	Length	Dimensions mm (in)	Height	Std. Pk.
Enclosure with terminals	402-421-01	gray	2.5 mm ² - 5 pole x 5	92 mm (3.62 in)	92 mm (3.62 in)	60 mm (2.36 in)	3
Enclosure - empty	402-401-01	gray	NA	92 mm (3.62 in)	92 mm (3.62 in)	60 mm (2.36 in)	3
Enclosure - empty	402-001-01	black	NA	92 mm (3.62 in)	92 mm (3.62 in)	60 mm (2.36 in)	3

Accessories

Ordering Information	Cat. No.	Type	Std. Pk.
DIN Rail TS15 - 15x61 mm	895-202-01	TS15/61	1
Pole Mount Kit (60-170mm)	896-010-01	MABF65-1	1
Terminal (base mount)	896-404-01	2.5/4 mm ² - 5 pole, 41A/690V	10



Abox Pro 040 – Polycarbonate – 102 x 102 mm (4.02 x 4.02 in.)

Standard Features

- **Protection Level:** IP66/IP67/IP69
- **Technical:** Knockout Sidewalls (M16/M20/M25)
- **UL Recognized**
- **Enclosure Material:** Polycarbonate
- **Gasket Material:** Thermoplastic Elastomer
- **Color:** Light Gray or Black
- **Material Operating Temperature Range:** Polycarbonate
-35°C to 80°C (-31°F to 176°F)
- **Included Accessories:** (4) M25 Double Membrane Seals for 9-17mm Cables
Cover Retainer
- **Accessories:** See section below

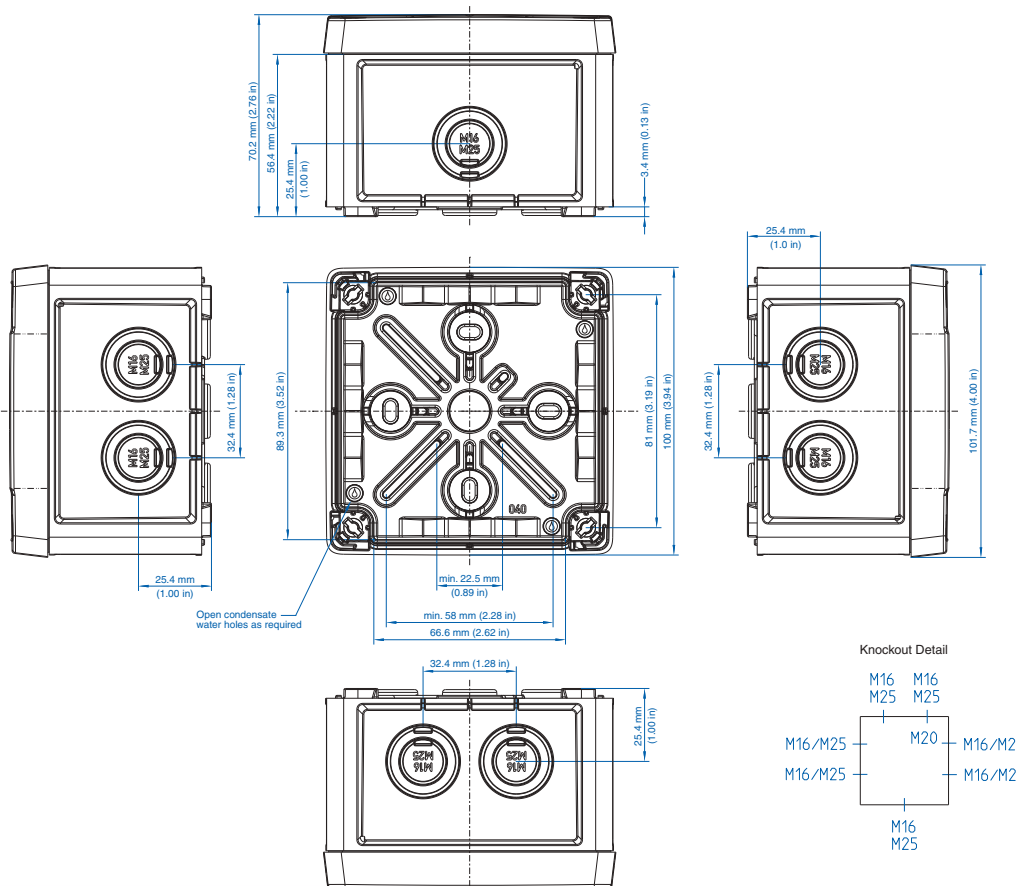


Abox Pro

Ordering Information	Cat. No.	Color	Push-In Terminal	Length	Dimensions mm (in)	Width	Height	Std. Pk.
Enclosure with terminals	404-420-01	gray	2.5 mm ² - 5 pole x 5	102 mm (4.02 in)	102 mm (4.02 in)	102 mm (4.02 in)	70 mm (2.76 in)	3
Enclosure with terminals	404-020-01	black	2.5 mm ² - 5 pole x 5	102 mm (4.02 in)	102 mm (4.02 in)	102 mm (4.02 in)	70 mm (2.76 in)	3
Enclosure - empty	404-400-01	gray	NA	102 mm (4.02 in)	102 mm (4.02 in)	102 mm (4.02 in)	70 mm (2.76 in)	3
Enclosure - empty	404-000-01	black	NA	102 mm (4.02 in)	102 mm (4.02 in)	102 mm (4.02 in)	70 mm (2.76 in)	3

Accessories

Ordering Information	Cat. No.	Type	Std. Pk.
DIN Rail TS15 - 15x61 mm	895-202-01	TS15/61	1
Pole Mount Kit (60-170mm)	896-020-01	MABF100-1	1
Terminal (base mount)	896-404-01	2.5/4 mm ² - 5 pole, 41A/690V	10



Standard Features

- **Protection Level:** IP66/IP67/IP69
- **Technical:** Knockout Sidewalls (M16/M20/M25)
Integral Mounting Tabs
- **UL Recognized**
- **Enclosure Material:** Polycarbonate
- **Gasket Material:** Thermoplastic Elastomer
- **Color:** Light Gray
- **Material Operating Temperature Range:** Polycarbonate
-35°C to 80°C (-31°F to 176°F)
- **Included Accessories:** (4) M25 Double Membrane Seals for 9-17mm Cables
Cover Retainer
- **Accessories:** See section below

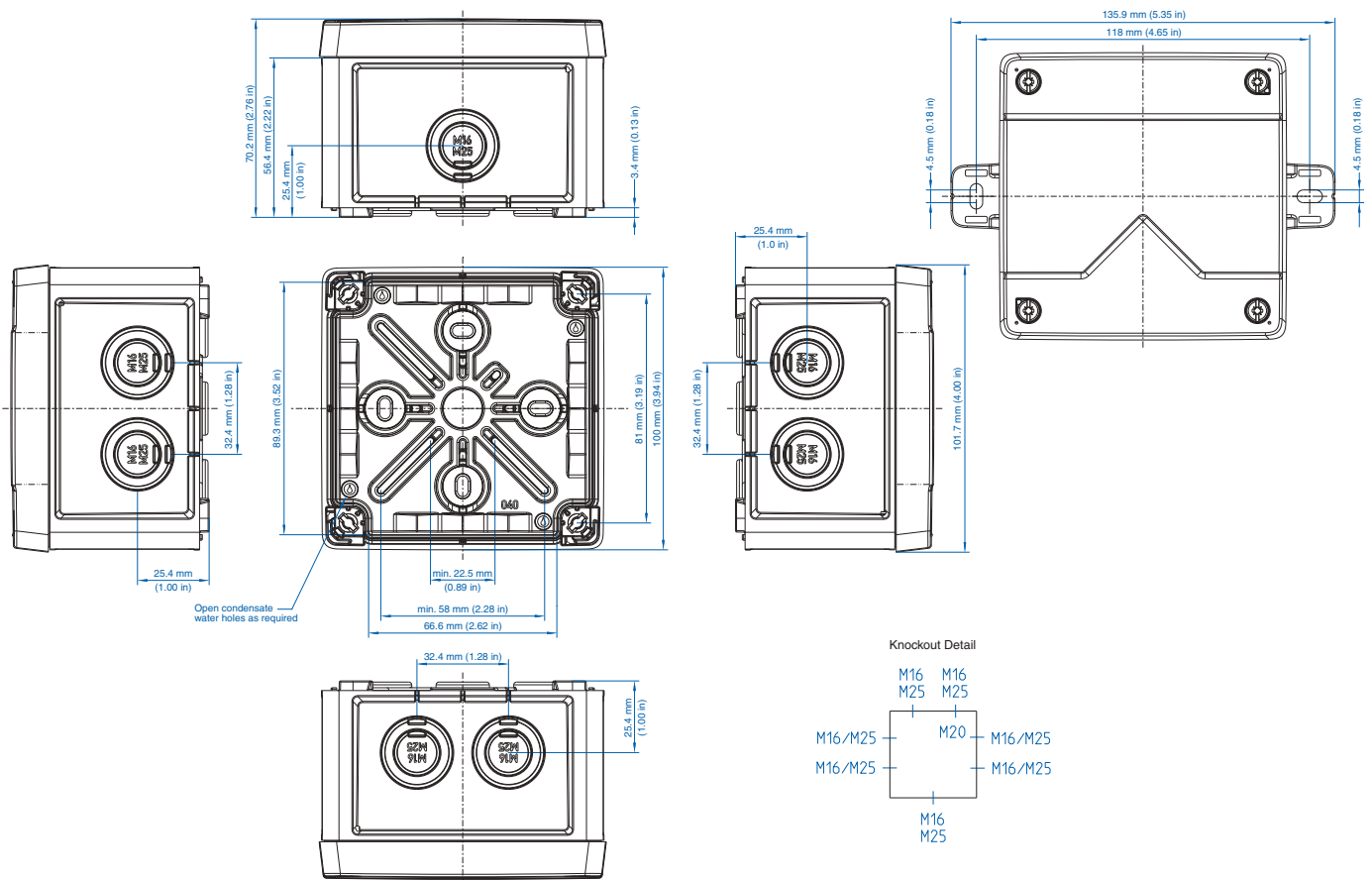


Abox Pro

Ordering Information	Cat. No.	Color	Push-In Terminal	Length	Dimensions mm (in) Width	Height	Std. Pk.
Enclosure with terminals	404-421-01	gray	4 mm ² - 4 pole x 5	102 mm (4.02 in)	102 mm (4.02 in)	70 mm (2.76 in)	3
Enclosure - empty	404-401-01	gray	NA	102 mm (4.02 in)	102 mm (4.02 in)	70 mm (2.76 in)	3

Accessories

Ordering Information	Cat. No.	Type	Std. Pk.
DIN Rail TS15 - 15x61 mm	895-202-01	TS15/61	1
Pole Mount Kit (60-170mm)	896-020-01	MABF100-1	1
Terminal (base mount)	896-404-01	2.5/4 mm ² - 5 pole, 41A/690V	10



Abox Pro 060 – Polycarbonate – 127 x 127 mm (5.00 x 5.00 in.)

Standard Features

- **Protection Level:** IP66/IP67/IP69
- **Technical:** Knockout Sidewalls (M20/M32)
- **UL Recognized**
- **Enclosure Material:** Polycarbonate
- **Gasket Material:** Thermoplastic Elastomer
- **Color:** Light Gray or Black
- **Material Operating Temperature Range:** Polycarbonate
-35°C to 80°C (-31°F to 176°F)
- **Included Accessories:** (4) M32 Double Membrane Seals for 13-21mm Cables
Cover Retainer
- **Accessories:** See section below

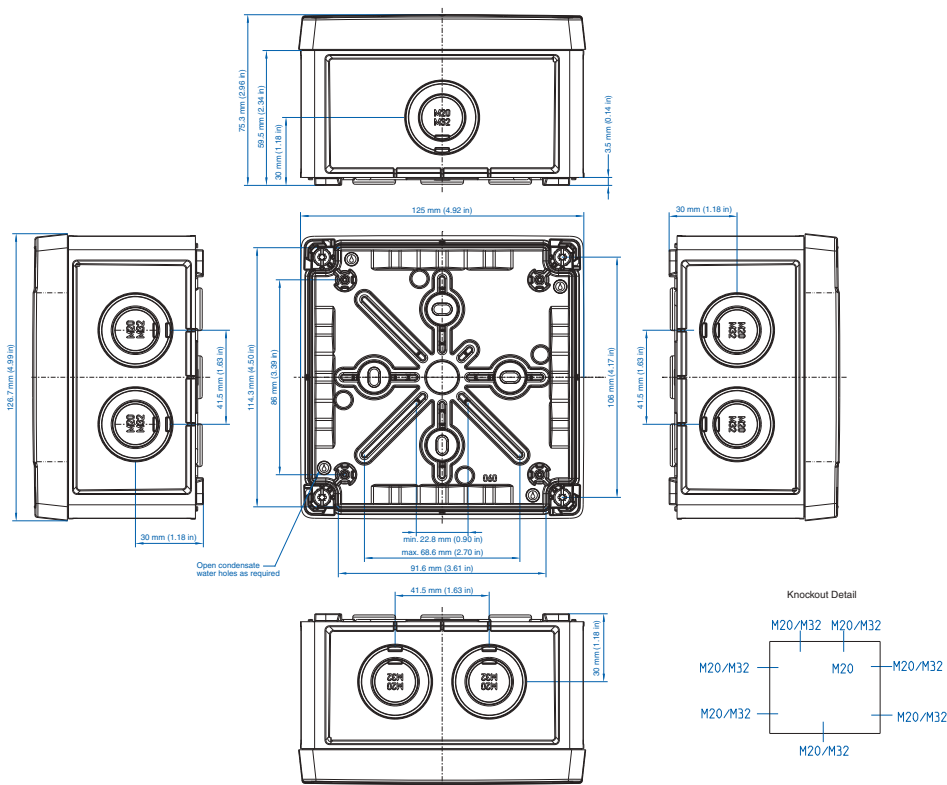


Abox Pro

Ordering Information	Cat. No.	Color	Screw Terminal	Length	Dimensions mm (in)	Width	Height	Std. Pk.
Enclosure with terminals	406-420-01	gray	6 mm ² - 5 pole	127 mm (5.00 in)	127 mm (5.00 in)	75 mm (2.95 in)	2	
Enclosure with terminals	406-020-01	black	6 mm ² - 5 pole	127 mm (5.00 in)	127 mm (5.00 in)	75 mm (2.95 in)	2	
Enclosure - empty	406-400-01	gray	NA	127 mm (5.00 in)	127 mm (5.00 in)	75 mm (2.95 in)	2	
Enclosure - empty	406-000-01	black	NA	127 mm (5.00 in)	127 mm (5.00 in)	75 mm (2.95 in)	2	

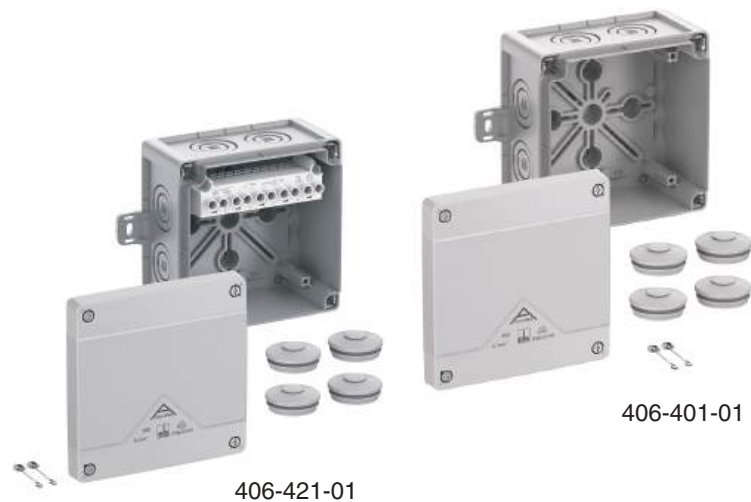
Accessories

Ordering Information	Cat. No.	Type	Std. Pk.
Mounting Plate	895-106-01	MPI060	1
DIN Rail TS 35 – 35x95 mm	895-306-01	TS35/95	1
Terminal (high-set)	896-406-01	6 mm ² - 5 pole, 41A/690V	5
Pole Mount Kit (60-170mm)	896-020-01	MABF100-1	1



Standard Features

- **Protection Level:** IP66/IP67/IP69
- **Technical:** Knockout Sidewalls (M20/M32)
Integral Mounting Tabs
- **UL Recognized**
- **Enclosure Material:** Polycarbonate
- **Gasket Material:** Thermoplastic Elastomer
- **Color:** Light Gray
- **Material Operating Temperature Range:** Polycarbonate
-35°C to 80°C (-31°F to 176°F)
- **Included Accessories:** (4) M32 Double Membrane Seals for 13-21mm Cables
Cover Retainer
- **Accessories:** See section below

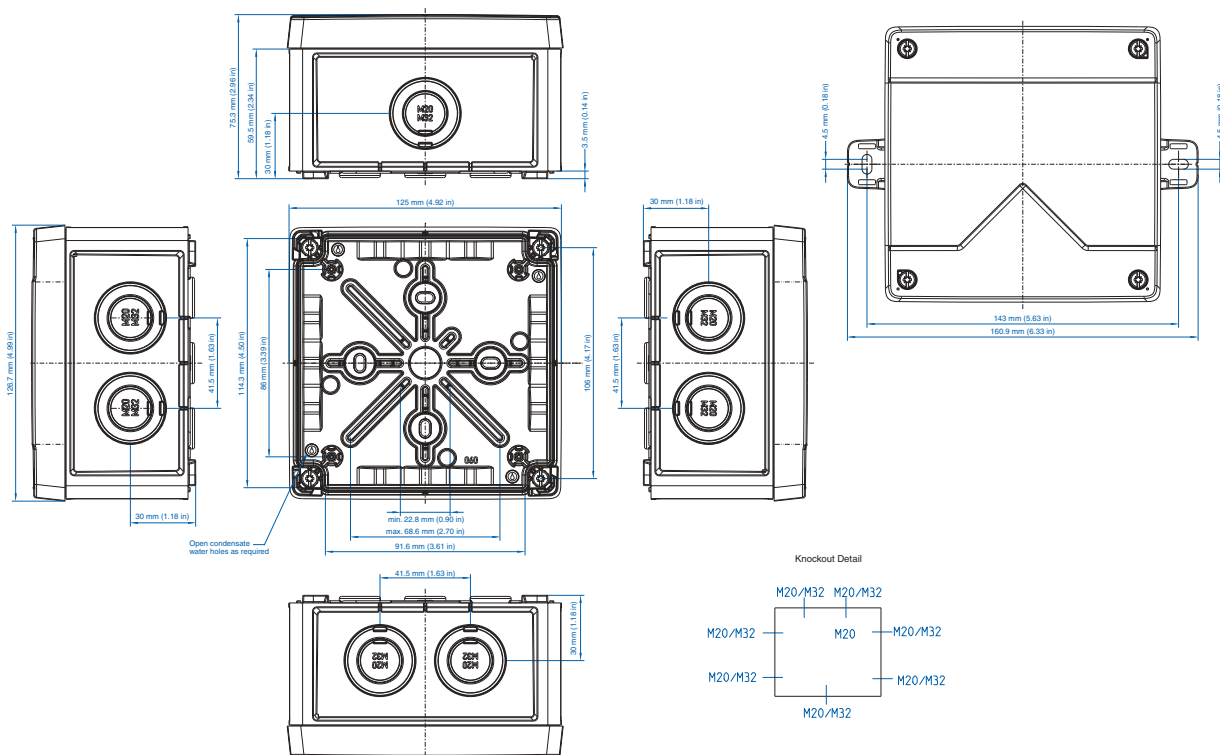


Abox Pro

Ordering Information	Cat. No.	Color	Screw Terminal	Length	Dimensions mm (in) Width	Height	Std. Pk.
Enclosure with terminals	406-421-01	gray	6 mm ² - 5 pole	127 mm (5.00 in)	127 mm (5.00 in)	75 mm (2.95 in)	2
Enclosure - empty	406-401-01	gray	NA	127 mm (5.00 in)	127 mm (5.00 in)	75 mm (2.95 in)	2

Accessories

Ordering Information	Cat. No.	Type	Std. Pk.
Mounting Plate	895-106-01	MPI060	1
DIN Rail TS 35 – 35x95 mm	895-306-01	TS35/95	1
Terminal (high-set)	896-406-01	6 mm ² - 5 pole, 41A/690V	5
Pole Mount Kit (60-170mm)	896-020-01	MABF100-1	1



Abox Pro 100 – Polycarbonate – 152 x 152 mm (5.98 x 5.98 in.)

Standard Features

- **Protection Level:** IP66/IP67/IP69
- **Technical:** Knockout Sidewalls (M20/M25/M32)
- **UL Recognized**
- **Enclosure Material:** Polycarbonate
- **Gasket Material:** Thermoplastic Elastomer
- **Color:** Light Gray or Black
- **Material Operating Temperature Range:** Polycarbonate
-35°C to 80°C (-31°F to 176°F)
- **Included Accessories:** (4) M32 Double Membrane Seals for 13-21mm Cables
Cover Retainer
- **Accessories:** See section below

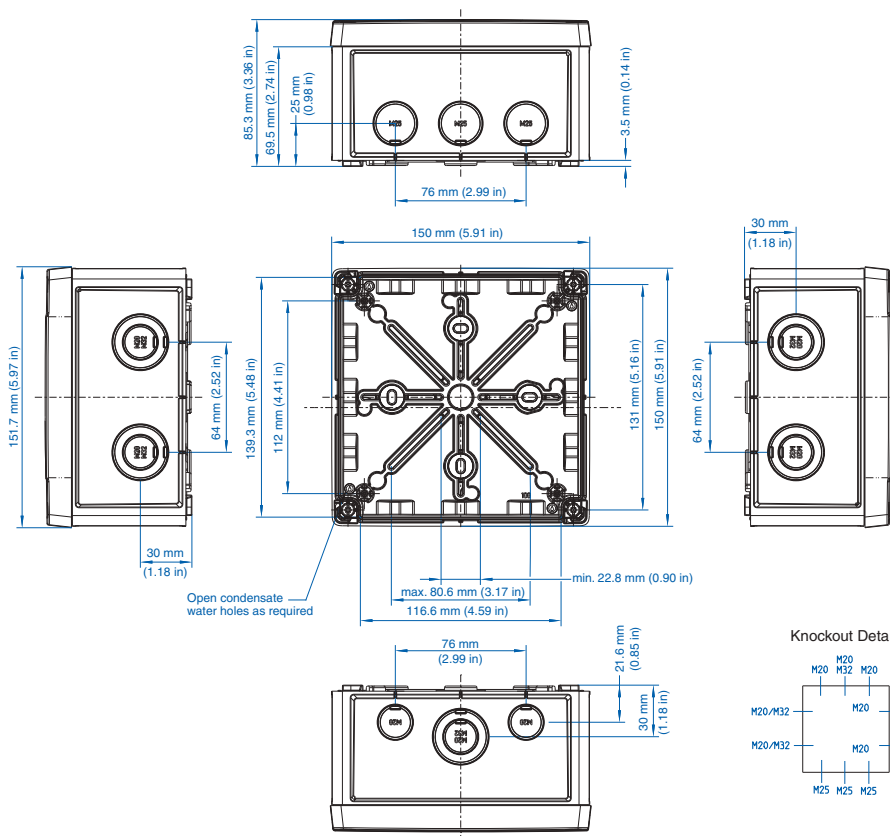


Abox Pro

Ordering Information	Cat. No.	Color	Screw Terminal	Length	Dimensions mm (in)	Width	Height	Std. Pk.
Enclosure with terminals	410-420-01	gray	10 mm ² - 5 pole	152 mm (5.98 in)	152 mm (5.98 in)	152 mm (5.98 in)	85 mm (3.35 in)	2
Enclosure with terminals	410-020-01	black	10 mm ² - 5 pole	152 mm (5.98 in)	152 mm (5.98 in)	152 mm (5.98 in)	85 mm (3.35 in)	2
Enclosure - empty	410-400-01	gray	NA	152 mm (5.98 in)	152 mm (5.98 in)	152 mm (5.98 in)	85 mm (3.35 in)	2
Enclosure - empty	410-000-01	black	NA	152 mm (5.98 in)	152 mm (5.98 in)	152 mm (5.98 in)	85 mm (3.35 in)	2

Accessories

Ordering Information	Cat. No.	Type	Std. Pk.
Mounting Plate	895-110-01	MPI100	1
DIN Rail TS 35 – 35x120 mm	895-310-01	TS35/120	1
Terminal (high-set)	896-410-01	10 mm ² - 5 pole, 57A/690V	5
Pole Mount Kit (60-170mm)	896-020-01	MABF100-1	1



Standard Features

- **Protection Level:** IP66/IP67/IP69
- **Technical:** Knockout Sidewalls (M20/M25/M32)
Integral Mounting Tabs
- **UL Recognized**
- **Enclosure Material:** Polycarbonate
- **Gasket Material:** Thermoplastic Elastomer
- **Color:** Light Gray
- **Material Operating Temperature Range:** Polycarbonate
-35°C to 80°C (-31°F to 176°F)
- **Included Accessories:** (4) M32 Double Membrane Seals for 13-21mm Cables
Cover Retainer
- **Accessories:** See section below

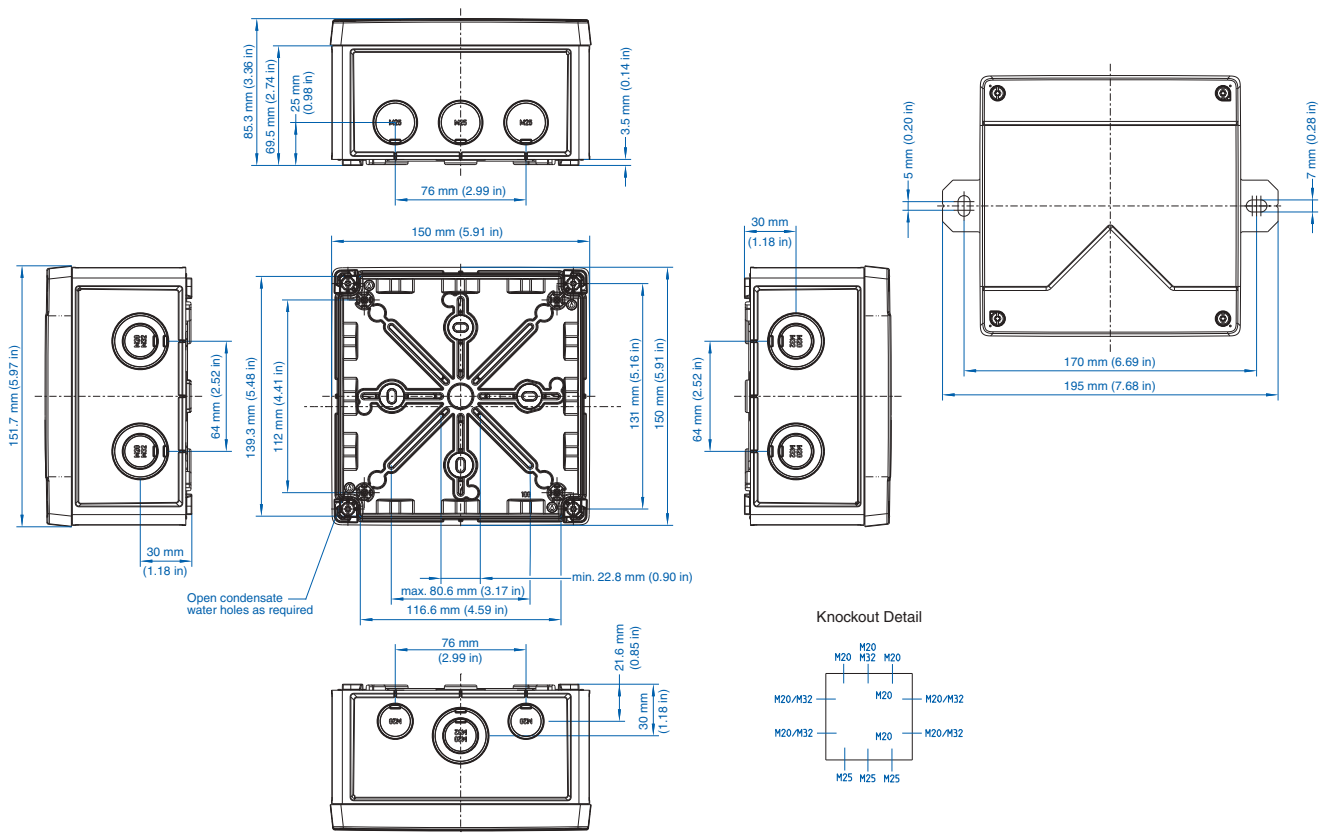


Abox Pro

Ordering Information	Cat. No.	Color	Screw Terminal	Length	Dimensions mm (in) Width	Height	Std. Pk.
Enclosure with terminals	410-421-01	gray	10 mm ² - 5 pole	152 mm (5.98 in)	152 mm (5.98 in)	85 mm (3.35 in)	2
Enclosure - empty	410-401-01	gray	NA	152 mm (5.98 in)	152 mm (5.98 in)	85 mm (3.35 in)	2

Accessories

Ordering Information	Cat. No.	Type	Std. Pk.
Mounting Plate	895-110-01	MPI100	1
DIN Rail TS 35 – 35x120 mm	895-310-01	TS35/120	1
Terminal (high-set)	896-410-01	10 mm ² - 5 pole, 57A/690V	5
Pole Mount Kit (60-170mm)	896-020-01	MABF100-1	1



Abox Pro 160 – Polycarbonate – 182 x 182 mm (7.17 x 7.17 in.)

Standard Features

- **Protection Level:** IP66/IP67/IP69
- **Technical:** Knockout Sidewalls (M20/M32/M40)
- **UL Recognized**
- **Enclosure Material:** Polycarbonate
- **Gasket Material:** Thermoplastic Elastomer
- **Color:** Light Gray or Black
- **Material Operating Temperature Range:** Polycarbonate
-35°C to 80°C (-31°F to 176°F)
- **Included Accessories:** (4) M40 Double Membrane Seals for 17-28mm Cables
Cover Retainer
- **Accessories:** See section below

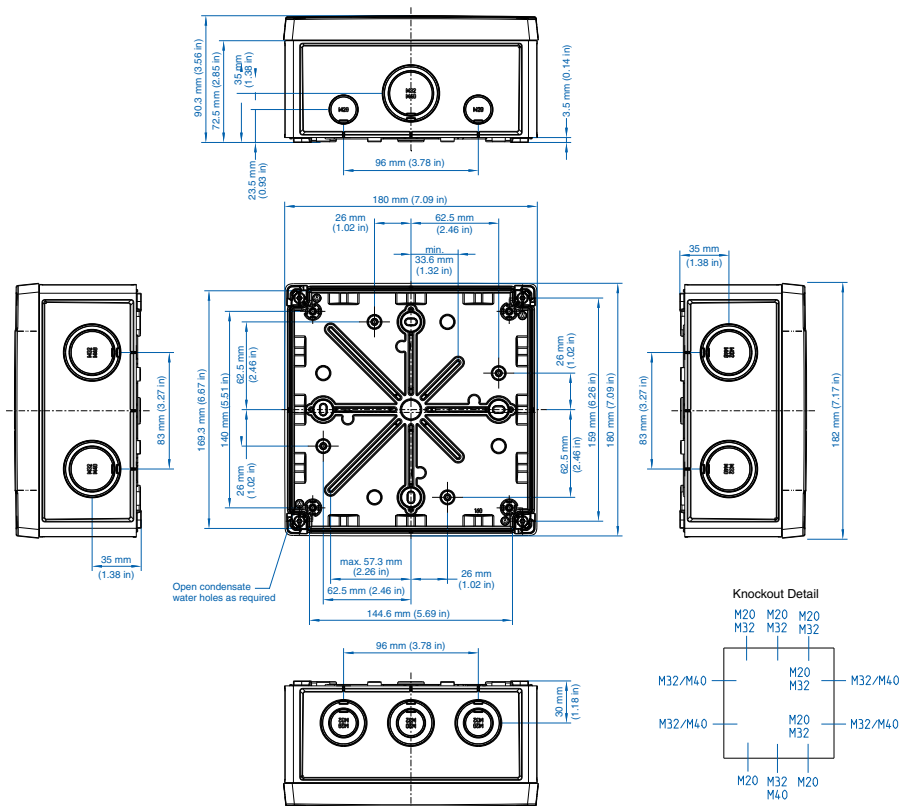


Abox Pro

Ordering Information	Cat. No.	Color	Screw Terminal	Length	Dimensions mm (in)	Width	Height	Std. Pk.
Enclosure with terminals	416-420-01	gray	16 mm ² - 5 pole	182 mm (7.17 in)	182 mm (7.17 in)	182 mm (7.17 in)	90 mm (3.54 in)	1
Enclosure with terminals	416-020-01	black	16 mm ² - 5 pole	182 mm (7.17 in)	182 mm (7.17 in)	182 mm (7.17 in)	90 mm (3.54 in)	1
Enclosure - empty	416-400-01	gray	NA	182 mm (7.17 in)	182 mm (7.17 in)	182 mm (7.17 in)	90 mm (3.54 in)	1
Enclosure - empty	416-000-01	black	NA	182 mm (7.17 in)	182 mm (7.17 in)	182 mm (7.17 in)	90 mm (3.54 in)	1

Accessories

Ordering Information	Cat. No.	Type	Std. Pk.
Mounting Plate	895-116-01	MPI160	1
DIN Rail TS 35 – 35x120 mm	895-316-01	TS35/137	1
Terminal (high-set)	896-416-01	16 mm ² - 5 pole, 101A/690V	2
Pole Mount Kit (60-170mm)	896-030-01	MABF150-1	1



Standard Features

- **Protection Level:** IP66/IP67/IP69
- **Technical:** Knockout Sidewalls (M20/M25/M40/M50)
- **UL Recognized**
- **Enclosure Material:** Polycarbonate
- **Gasket Material:** Thermoplastic Elastomer
- **Color:** Light Gray or Black
- **Material Operating Temperature Range:** Polycarbonate
-35°C to 80°C (-31°F to 176°F)
- **Included Accessories:** (4) M40 Double Membrane Seals for 17-28mm Cables
Cover Retainer
- **Accessories:** See section below

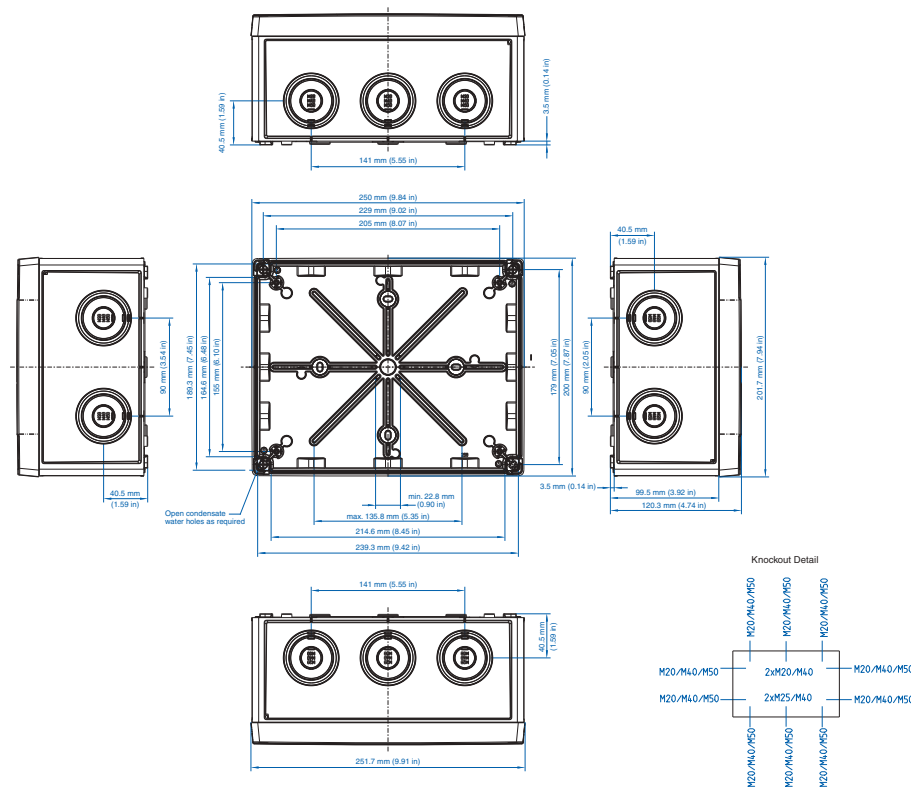


Abox Pro

Ordering Information	Cat. No.	Color	Screw Terminal	Length	Dimensions mm (in) Width	Height	Std. Pk.
Enclosure with terminals	425-420-01	gray	35/25 mm ² - 5 pole	252 mm (9.92 in)	202 mm (7.95 in)	120 mm (4.72 in)	1
Enclosure with terminals	425-020-01	black	35/25 mm ² - 5 pole	252 mm (9.92 in)	202 mm (7.95 in)	120 mm (4.72 in)	1
Enclosure - empty	425-400-01	gray	NA	252 mm (9.92 in)	202 mm (7.95 in)	120 mm (4.72 in)	1
Enclosure - empty	425-000-01	black	NA	252 mm (9.92 in)	202 mm (7.95 in)	120 mm (4.72 in)	1

Accessories

Ordering Information	Cat. No.	Type	Std. Pk.
Mounting Plate	895-125-01	MPI250	1
DIN Rail TS 35 – 35x202 mm	895-335-01	TS35/202	1
DIN Rail TS 35 – 35x137 mm	895-316-01	TS35/137	1
Terminal (high-set)	896-435-01	35/25 mm ² - 5 pole, 125A/690V	1
Vertical Pole Mount Kit (60-170mm)	896-031-01	MABF150-2	1
Transverse Pole Mount Kit (60-170mm)	896-040-01	MABF215-1	1



Abox Pro 350 – Polycarbonate – 252 x 252 mm (9.92 x 9.92 in.)

Standard Features

- **Protection Level:** IP66/IP67/IP69
- **Technical:** Knockout Sidewalls (M20/M25/M40/M50)
- **UL Recognized**
- **Enclosure Material:** Polycarbonate
- **Gasket Material:** Thermoplastic Elastomer
- **Color:** Light Gray or Black
- **Material Operating Temperature Range:** Polycarbonate
-35°C to 80°C (-31°F to 176°F)
- **Included Accessories:** (4) M40 Double Membrane Seals for 17-28mm Cables
Cover Retainer
- **Accessories:** See section below

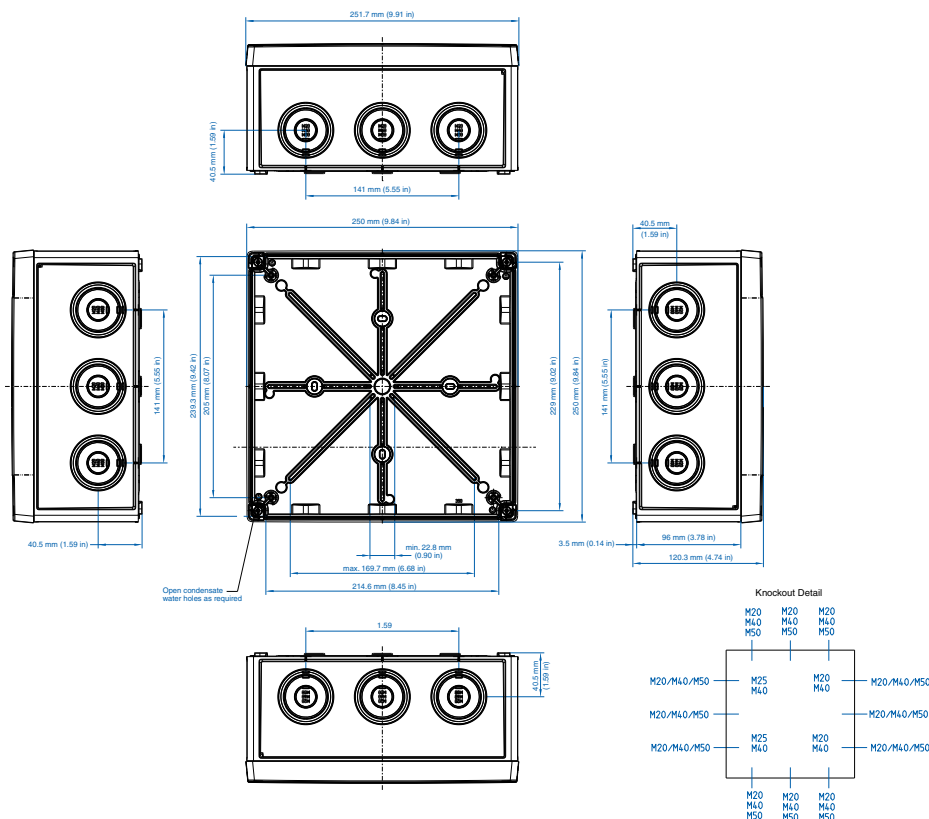


Abox Pro

Ordering Information	Cat. No.	Color	Screw Terminal	Length	Dimensions mm (in) Width	Height	Std. Pk.
Enclosure with terminals	435-420-01	gray	35/25 mm ² - 5 pole	252 mm (9.92 in)	252 mm (9.92 in)	120 mm (4.72 in)	1
Enclosure with terminals	435-020-01	black	35/25 mm ² - 5 pole	252 mm (9.92 in)	252 mm (9.92 in)	120 mm (4.72 in)	1
Enclosure - empty	435-400-01	gray	NA	252 mm (9.92 in)	252 mm (9.92 in)	120 mm (4.72 in)	1
Enclosure - empty	435-000-01	black	NA	252 mm (9.92 in)	252 mm (9.92 in)	120 mm (4.72 in)	1

Accessories

Ordering Information	Cat. No.	Type	Std. Pk.
Mounting Plate	895-135-01	MPI350	1
DIN Rail TS 35 – 35x120 mm	895-335-01	TS35/202	1
Terminal (high-set)	896-435-01	35/25 mm ² - 5 pole, 125A/690V	1
Pole Mount Kit (60-170mm)	896-040-01	MABF215-1	1



Check Out Our latest Liquid Tight Strain Relief Catalog

including a variety of materials, accessories and conduit



Contact Altech today or download a
catalog at www.altechcorp.com