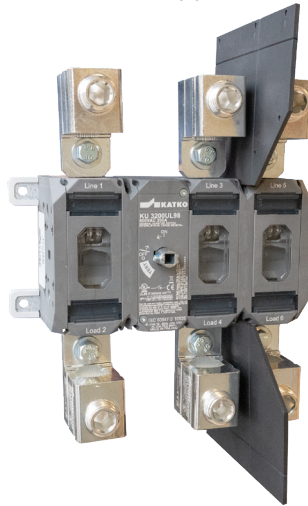


200 and 400 A UL 98 Disconnect Switches



- Industry unique feature: made from 100% recyclable materials
- Switch make/break operation is independent from operator's actuation speed
- Modular design enables custom configurations of the actuation orientation
- Contact position check/contact condition inspection window for every pole



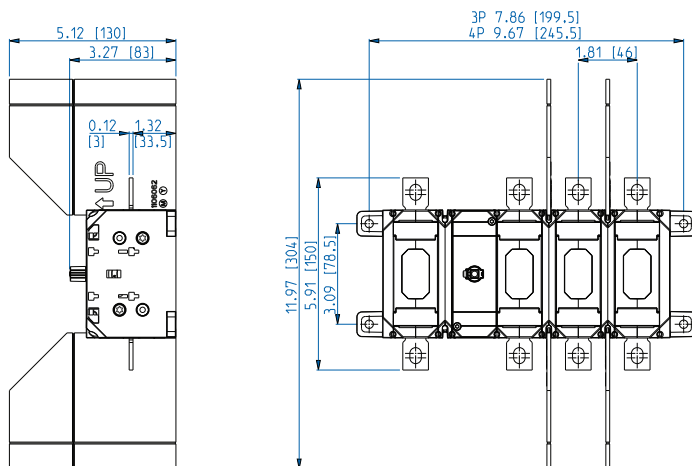
Terminal lugs sold separately.

Catalog Number	KU 3200UL98	KU 3400UL98
No. of Poles*	3 (4 pole - KU 4200UL98)	3 (4 pole - KU 4400UL98)
General Purpose Current	200 A	400 A
Maximum Voltage	600 V AC	600 V AC
Horsepower Rating /HP	3 Phase	3 Phase
120 V AC	30	50
240 V AC	75	100
480 V AC	150	200
600 V AC	200	300
Short Circuit Withstand Rating at 600 V with Max. Fuse Size/Class:	100 kA / 200 A Class J	100 kA / 400 A Class J
Terminal Size Acceptability (Cu Conductors only , 75°C)	2 AWG – 500 kcmil	3/0 AWG – 600 kcmil
Torque	2 AWG - 250 kcmil: 220 lb.in. (24.86 Nm) 300 – 500 kcmil: 490 lb.in. (55.36 Nm)	3/0 AWG – 250 kcmil: 400 lb.in. (45.19 Nm) 300 – 600 kcmil: 660 lb.in. (74.57 Nm)
Required Wire Connector	KKL1X240AR250	KKL1X300AR400
Screw Head Type	M8	M12

Dimensions

(to convert to inches multiply by 0.03937)

KU 3200UL98



KU 3400UL98

