

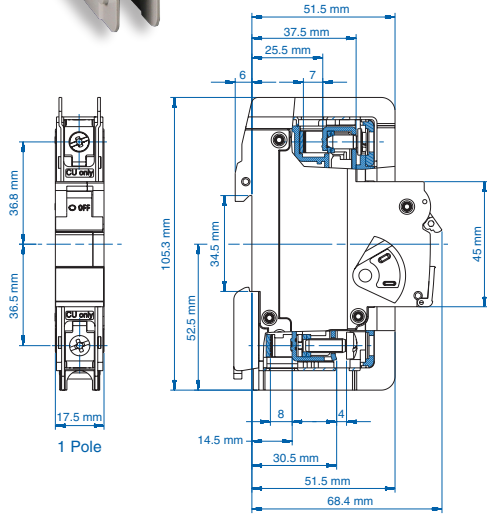


1 POLE
Standard Pack 12



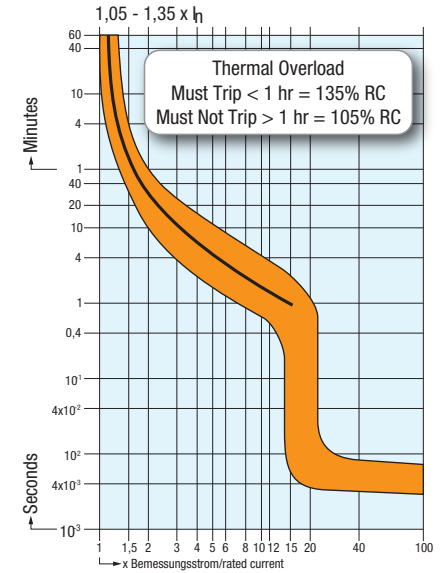
| Rated Current (I _N) | Type/ Cat. No. |
|---------------------------------|-------------------|
| 0.3A | 1D03DL |
| 0.5A | 1D05DL |
| 1.0A | 1D1DL |
| 1.6A | 1D1.6DL |
| 2.0A | 1D2DL |
| 3.0A | 1D3DL |
| 4.0A | 1D4DL |
| 5.0A | 1D5DL |
| 6.0A | 1D6DL |
| 8.0A | 1D8DL |
| 10A | 1D10DL |
| 12A | 1D12DL |
| 13A | 1D13DL |
| 15A | 1D15DL |
| 16A | 1D16DL |
| 20A | 1D20DL |
| 25A | 1D25DL |
| 30A | 1D30DL |
| 32A | 1D32DL |
| 40A | 1D40DL |
| 50A | 1D50DL |
| 60A | 1D60DL |
| 63A | 1D63DL |

Weight (per piece)
0.3A - 32A:
 0.142 - 0.149 kg
 0.313 - 0.328 lb
33A - 63A:
 0.142 - 0.149 kg
 0.313 - 0.328 lb



D Trip Characteristic

I_N = 0.3A - 10A rated current



Specifications

| | |
|--|--|
| Current/ Voltage Rating | 0.3 - 63A/125/250V DC |
| Calibration Temperature | 40°C (104°F) |
| Ambient Temperature | -25°C to +70°C (-13°F to 158°F) |
| Storage Temperature | -40°C to +70°C (-40°F to 158°F) |
| Terminal Size Acceptability | Top: 18-3 AWG; Bottom: 18-2 AWG |
| Terminal Torque (min/max) | 2 Nm (17.7 lb.in.) / 2.5Nm (22.2 lb.in) |
| Electrical Life | 6,000 switching cycles ON/ OFF |
| Mechanical Life | 10,000 switching cycles ON/ OFF |
| Vibration Resistance | > 15g according to DIN EN 60069-2-59 during a load with I ₁ = 1.05 x I _N |
| Resistance to mechanical shocks | 25g @ 11ms |
| Degree of protection acc. IEC/EN 60529 | IP20 |
| Mounting Orientation | In any plane |

Short Circuit Interrupting Capacity

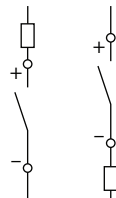
| Pole | Type | 0.3-63A |
|------|------|-------------|
| 1 | DC | 10kA @ 125V |



Warning!
Correct polarity must be observed when connecting the DC circuit breakers.



Wiring Examples



* For detailed wiring instructions please refer to white papers at altechcorp.com

D Trip Characteristic

I_N = 12A - 63A rated current

