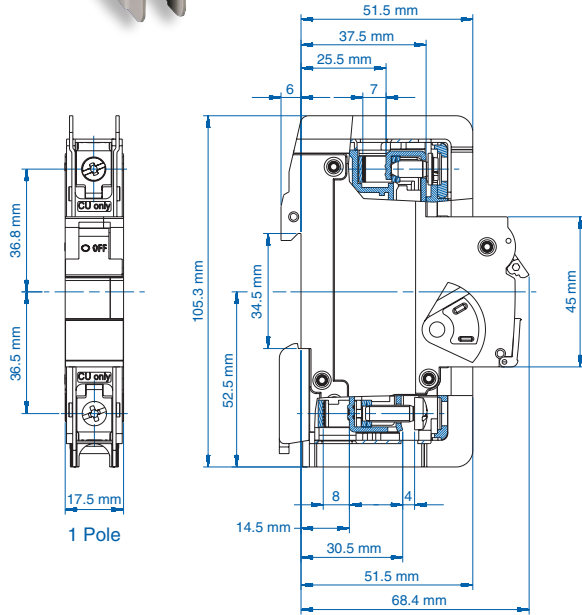




1 POLE
Standard Pack 12



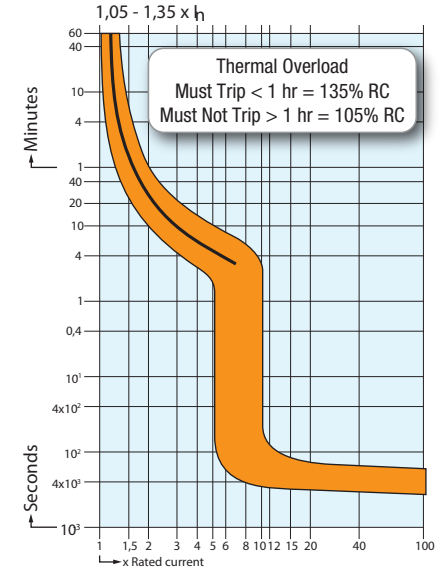
Rated Current (I _N)	Type/ Cat. No.
0.3A	1C03UL
0.5A	1C05UL
1.0A	1C1UL
1.6A	1C1.6UL
2.0A	1C2UL
3.0A	1C3UL
4.0A	1C4UL
5.0A	1C5UL
6.0A	1C6UL
8.0A	1C8UL
10A	1C10UL
12A	1C12UL
13A	1C13UL
15A	1C15UL
16A	1C16UL
20A	1C20UL
25A	1C25UL
30A	1C30UL
32A	1C32UL
40A	1C40UL
50A	1C50UL
60A	1C60UL
63A	1C63UL

Weight (per piece)

0.3A - 32A:
0.136 - 0.143 kg
0.300 - 0.315 lb
33A - 63A:
0.142 - 0.163 kg
0.313 - 0.359 lb

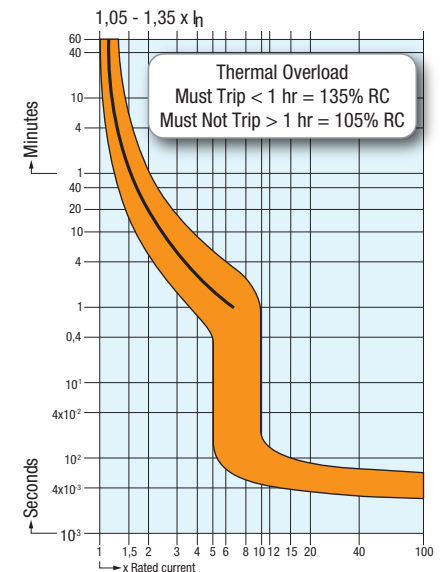
C Trip Characteristic

I_N = 0.3A - 10A rated current



C Trip Characteristic

I_N = 12A - 63A rated current



Specifications

Current/ Voltage Rating	0.3 - 63A/240V AC, 0.3-32A/277V AC
Calibration Temperature	40°C (104°F)
Ambient Temperature	-25°C to +70°C (-13°F to 158°F)
Storage Temperature	-40°C to +70°C (-40°F to 158°F)
Terminal Size Acceptability	Top: 18-3 AWG; Bottom: 18-2 AWG
Terminal Torque (min/max)	2 Nm (17.7 lb.in.) / 2.5Nm (22.2 lb.in)
Electrical Life	6,000 switching cycles ON/ OFF
Mechanical Life	10,000 switching cycles ON/ OFF
Vibration Resistance	> 15g according to DIN EN 60069-2-59 during a load with I ₁ = 1.05 x I _N
Resistance to mechanical shocks	25g @ 11ms
Degree of protection acc. IEC/EN 60529	IP20
Mounting Orientation	In any plane

Short Circuit Interrupting Capacity

Pole	Type	0.3-32A	40-63A
1	AC	10kA @ 120, 240, 277V	10kA @ 120, 240V