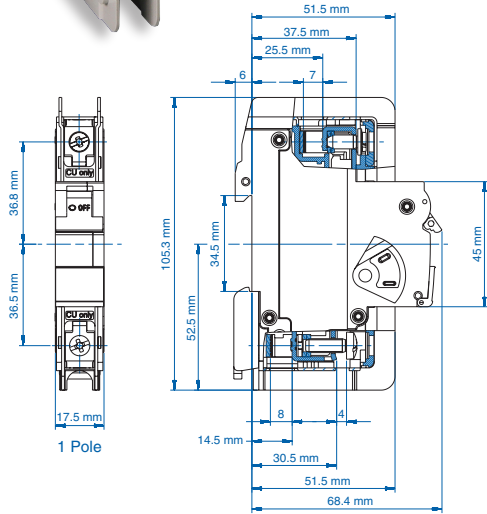




**1 POLE**  
Standard Pack 12

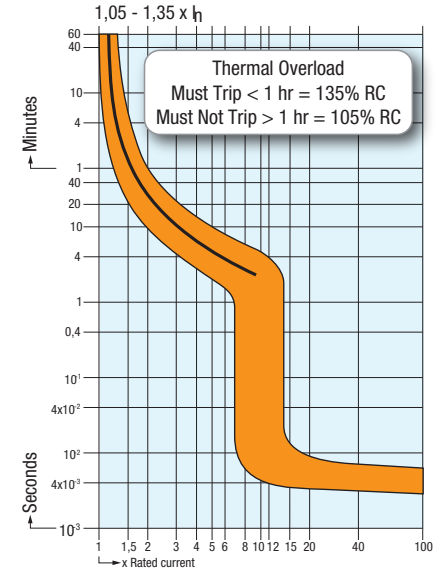


Rated Current (I <sub>N</sub> )	Type/ Cat. No.
0.3A	1C03DL
0.5A	1C05DL
1.0A	1C1DL
1.6A	1C1.6DL
2.0A	1C2DL
3.0A	1C3DL
4.0A	1C4DL
5.0A	1C5DL
6.0A	1C6DL
8.0A	1C8DL
10A	1C10DL
12A	1C12DL
13A	1C13DL
15A	1C15DL
16A	1C16DL
20A	1C20DL
25A	1C25DL
30A	1C30DL
32A	1C32DL
40A	1C40DL
50A	1C50DL
60A	1C60DL
63A	1C63DL

**Weight (per piece)**  
**0.3A - 32A:**  
 0.142 - 0.149 kg  
 0.313 - 0.328 lb  
**33A - 63A:**  
 0.142 - 0.149 kg  
 0.313 - 0.328 lb

### C Trip Characteristic

I<sub>N</sub> = 0.3A - 10A rated current



### Specifications

Current/ Voltage Rating	0.3 - 63A/125/250V DC
Calibration Temperature	40°C (104°F)
Ambient Temperature	-25°C to +70°C (-13°F to 158°F)
Storage Temperature	-40°C to +70°C (-40°F to 158°F)
Terminal Size Acceptability	Top: 18-3 AWG; Bottom: 18-2 AWG
Terminal Torque (min/max)	2 Nm (17.7 lb.in.) / 2.5Nm (22.2 lb.in)
Electrical Life	6,000 switching cycles ON/ OFF
Mechanical Life	10,000 switching cycles ON/ OFF
Vibration Resistance	> 15g according to DIN EN 60069-2-59 during a load with I <sub>1</sub> = 1.05 x I <sub>N</sub>
Resistance to mechanical shocks	25g @ 11ms
Degree of protection acc. IEC/EN 60529	IP20
Mounting Orientation	In any plane

### Short Circuit Interrupting Capacity

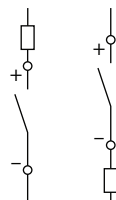
Pole	Type	0.3-63A
1	DC	10kA @ 125V



**Warning!**  
Correct polarity must be observed when connecting the DC circuit breakers.



Wiring Examples



\* For detailed wiring instructions please refer to white papers at [altechcorp.com](http://altechcorp.com)

### C Trip Characteristic

I<sub>N</sub> = 12A - 63A rated current

