



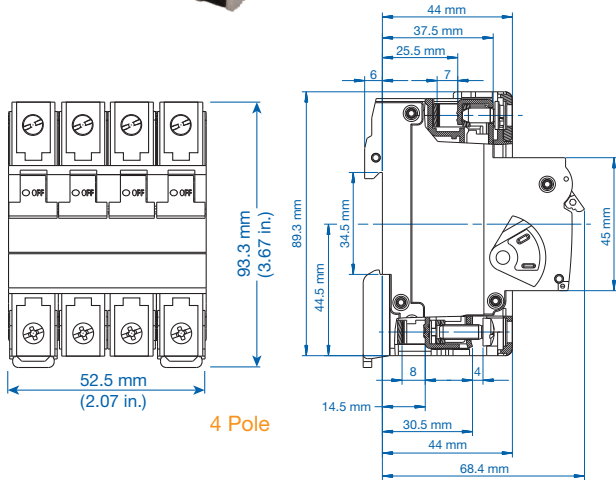
4 POLE Standard Pack 3



Rated Current (In)	Type/ Cat. No.	Approvals
0.3A	4G03UM	UL SF
0.5A	4G05UM	UL SF
0.8A	4G08UM	UL SF
1.0A	4G1UM	UL SF
1.6A	4G1.6UM	UL SF
2.0A	4G2UM	UL SF
2.5A	4G2.5UM	UL SF
3.0A	4G3UM	UL SF
3.5A	4G3.5UM	UL SF
4.0A	4G4UM	UL SF
5.0A	4G5UM	UL SF
6.0A	4G6UM	UL SF
8.0A	4G8UM	UL SF
10A	4G10UM	UL SF
12A	4G12UM	UL SF
13A	4G13UM	UL SF
15A	4G15UM	UL SF
16A	4G16UM	UL SF
20A	4G20UM	UL SF
25A	4G25UM	UL SF
30A	4G30UM	UL SF
32A	4G32UM	UL SF
40A	4G40UM	UL SF
50A	4G50UM	UL SF
60A	4G60UM	UL SF
63A	4G63UM	UL SF

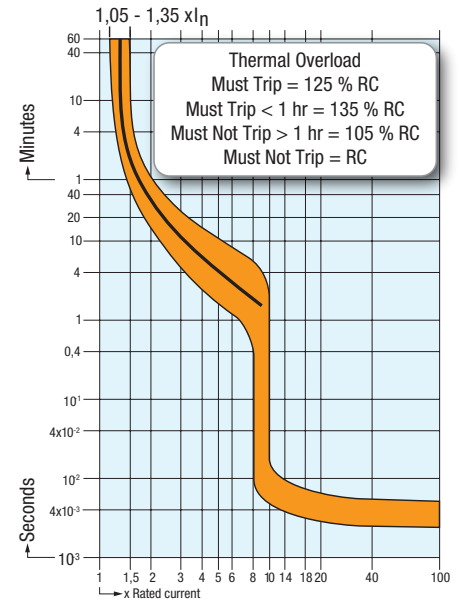
Weight (per piece)

0.3A - 32A:	33A - 63A:
0.480 - 0.564 kg	0.548 - 0.632kg
1.058 - 1.243 lb	1.208 - 1.393 lb



G Trip Characteristic

$I_n = 0.3A - 10A$ rated current



Specifications

Voltage Rating	480Y/277V AC 0.3-25A: 1 pole - 42V DC; 2 Pole - 80V DC 30-60A: 1 pole - 24V DC; 2 Pole - 60V DC
Short Circuit Withstand Rating (UL/CSA - Ratings)	0.3-60A (RC): 10kA with UL-listed RK5 back-up fuse or MCCB
Group Short Circuit Withstand Rating (UL/CSA - Ratings)	0.3-10A (RC): 10kA; 13-60A (RC): 5kA no branch circuit protection required
Interrupting Capacity (VDE - Ratings)	0.3-63A (RC): 10kA
Calibration Temperature	40°C (104°F)
Operating Temperature	-25°C to 70°C (-13°F to 158°F)
Storage Temperature	-40°C to 70°C (-40°F to 158°F)
Terminal Size Acceptability	Top: 18-3 AWG; Bottom: 18-2 AWG
Terminal Torque	2 Nm (17.7 lb.in.) / 2.5 Nm (22.2 lb.in.)
Vibration Resistance	> 15g according to DIN EN 60069-2-59 during a load with 1.05 x I_n
Resistance to mechanical shocks	25g @ 11ms
Terminal Protection Degree	IP20
Mounting Orientation	In any plane

Short Circuit Withstand Ratings for DSL8 Manual Motor Controller

Trip Curve	Amp Range	UL-Listed RK5-Fuse up to 10kA	Backup Protection UL-Listed MCCB up to 10kA	No BCP Required up to:
all	0.3 - 10A	4xRC* min 15A, max 70A	4xRC* min 15A, max 70A	10kA
all	12 - 30/32A	4xRC* max 125A	4xRC* max 125A	5kA
all	40 - 50A	4xRC* max 200A	4xRC* max 200A	5kA
all	60 / 63A	4xRC* max 250A	4xRC* max 250A	5kA

*up to nearest rated current

G Trip Characteristic

$I_n = 12A - 60A$ rated current

