



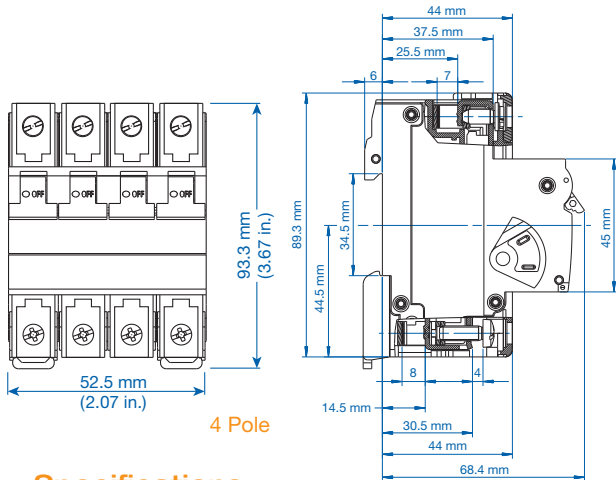
4 POLE Standard Pack 3



Rated Current (In)	Type/ Cat. No.	Approvals
0.3A	4E03UM	UL SF
0.5A	4E05UM	UL SF
0.75A	4E075UM	UL SF
1.0A	4E1UM	UL SF
1.6A	4E1.6UM	UL SF
2.0A	4E2UM	UL SF
2.5A	4E2.5UM	UL SF
3.0A	4E3UM	UL SF
3.5A	4E3.5UM	UL SF
4.0A	4E4UM	UL SF
5.0A	4E5UM	UL SF
6.0A	4E6UM	UL SF
8.0A	4E8UM	UL SF
10A	4E10UM	UL SF
12A	4E12UM	UL SF
13A	4E13UM	UL SF
15A	4E15UM	UL SF
16A	4E16UM	UL SF
20A	4E20UM	UL SF
25A	4E25UM	UL SF
30A	4E30UM	UL SF
32A	4E32UM	UL SF
40A	4E40UM	UL SF
50A	4E50UM	UL SF
60A	4E60UM	UL SF
63A	4E63UM	UL SF

Weight (per piece)

0.3A - 32A:	33A - 63A:
0.480 - 0.564 kg	0.548 - 0.632kg
1.058 - 1.243 lb	1.208 - 1.393 lb



Specifications

Voltage Rating	480Y/277V AC 0.3-25A: 1 pole - 42V DC; 2 Pole - 80V DC 30-60A: 1 pole - 24V DC; 2 Pole - 60V DC
Short Circuit Withstand Rating (UL/CSA - Ratings)	0.3-60A (RC): 10kA with UL-listed RK5 back-up fuse or MCCB
Group Short Circuit Withstand Rating (UL/CSA - Ratings)	0.3-10A (RC): 10kA; 13-60A (RC): 5kA no branch circuit protection required
Interrupting Capacity (VDE - Ratings)	0.3-63A (RC): 10kA
Calibration Temperature	40°C (104°F)
Operating Temperature	-25°C to 70°C (-13°F to 158°F)
Storage Temperature	-40°C to 70°C (-40°F to 158°F)
Terminal Size Acceptability	Top: 18-3 AWG; Bottom: 18-2 AWG
Terminal Torque	2 Nm (17.7 lb.in.) / 2.5 Nm (22.2 lb.in.)
Vibration Resistance	> 15g according to DIN EN 60069-2-59 during a load with 1.05 x I _N
Resistance to mechanical shocks	25g @ 11ms
Terminal Protection Degree	IP20
Mounting Orientation	In any plane

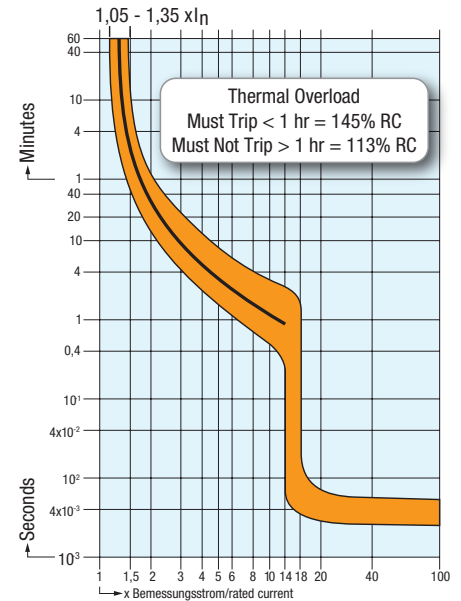
Short Circuit Withstand Ratings for DSL8 Manual Motor Controller

Trip Curve	Amp Range	Backup Protection		
		UL-Listed RK5-Fuse up to 10kA	UL-Listed MCCB up to 10kA	No BCP Required up to:
all	0.3 - 10A	4xRC* min 15A, max 70A	4xRC* min 15A, max 70A	10kA
all	12 - 30/32A	4xRC* max 125A	4xRC* max 125A	5kA
all	40 - 50A	4xRC* max 200A	4xRC* max 200A	5kA
all	60 / 63A	4xRC* max 250A	4xRC* max 250A	5kA

*up to nearest rated current

E Trip Characteristic

I_N = 0.3A - 10A rated current



E Trip Characteristic

I_N = 12A - 60A rated current

