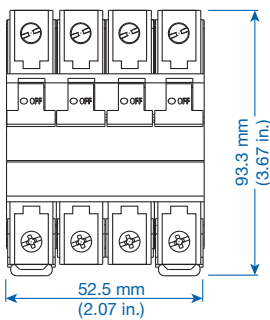
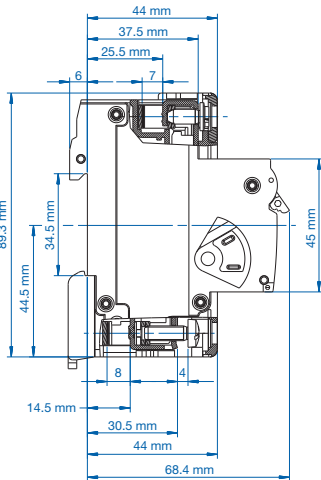




4 POLE Standard Pack 3



4 Pole



| Rated Current (I _n) | Type/ Cat. No. | Approvals |
|---------------------------------|-------------------|-------------|
| 0.3A | 4D03UM | UL, SF, D'E |
| 0.5A | 4D05UM | UL, SF, D'E |
| 0.75A | 4D075UM | UL, SF, D'E |
| 1.0A | 4D1UM | UL, SF, D'E |
| 1.6A | 4D1.6UM | UL, SF, D'E |
| 2.0A | 4D2UM | UL, SF, D'E |
| 2.5A | 4D2.5UM | UL, SF, D'E |
| 3.0A | 4D3UM | UL, SF, D'E |
| 3.5A | 4D3.5UM | UL, SF, D'E |
| 4.0A | 4D4UM | UL, SF, D'E |
| 5.0A | 4D5UM | UL, SF, D'E |
| 6.0A | 4D6UM | UL, SF, D'E |
| 8.0A | 4D8UM | UL, SF, D'E |
| 10A | 4D10UM | UL, SF, D'E |
| 13A | 4D13UM | UL, SF, D'E |
| 15A | 4D15UM | UL, SF, D'E |
| 16A | 4D16UM | UL, SF, D'E |
| 20A | 4D20UM | UL, SF, D'E |
| 25A | 4D25UM | UL, SF, D'E |
| 30A | 4D30UM | UL, SF, D'E |
| 32A | 4D32UM | UL, SF, D'E |
| 40A | 4D40UM | UL, SF, D'E |
| 50A | 4D50UM | UL, SF, D'E |
| 60A | 4D60UM | UL, SF, D'E |
| 63A | 4D63UM | UL, SF, D'E |

| Weight (per piece) | |
|--------------------|-------------------|
| 0.3A - 32A: | 33A - 63A: |
| 0.480 - 0.564 kg | 0.548 - 0.632kg |
| 1.058 - 1.243 lb | 1.208 - 1.393 lb |

Specifications

| | |
|--|---|
| Voltage Rating | 480Y/277V AC 0.3-25A: 1 pole - 42V DC; 2 Pole - 80V DC 30-60A: 1 pole - 24V DC; 2 Pole - 60V DC |
| Short Circuit Withstand Rating (UL/CSA - Ratings) | 0.3-60A (RC): 10kA with UL-listed RK5 back-up fuse or MCCB |
| Group Short Circuit Withstand Rating (UL/CSA - Ratings) | 0.3-10A (RC): 10kA; 13-60A (RC): 5kA no branch circuit protection required |
| Interrupting Capacity (VDE - Ratings) | 0.3-63A (RC): 10kA |
| Calibration Temperature | 40°C (104°F) |
| Operating Temperature | -25°C to 70°C (-13°F to 158°F) |
| Storage Temperature | -40°C to 70°C (-40°F to 158°F) |
| Terminal Size Acceptability | Top: 18-3 AWG; Bottom: 18-2 AWG |
| Terminal Torque | 2 Nm (17.7 lb.in.) / 2.5 Nm (22.2 lb.in.) |
| Vibration Resistance | > 15g according to DIN EN 60069-2-59 during a load with 1.05 x I _N |
| Resistance to mechanical shocks | 25g @ 11ms |
| Terminal Protection Degree | IP20 |
| Mounting Orientation | In any plane |

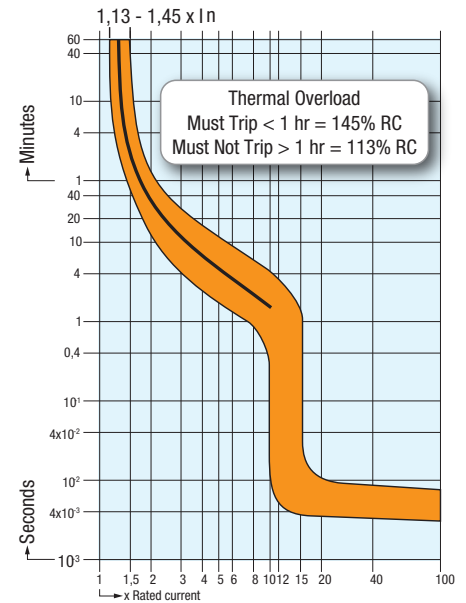
Short Circuit Withstand Ratings for DSL8 Manual Motor Controller

| Trip Curve | Amp Range | Backup Protection | | |
|------------|-------------|----------------------------------|------------------------------|---------------------------|
| | | UL-Listed RK5-Fuse up to 10kA | UL-Listed MCCB up to 10kA | No BCP Required up to: |
| all | 0.3 - 10A | 4xRC* min 15A, max 70A | 4xRC* min 15A, max 70A | 10kA |
| all | 12 - 30/32A | 4xRC* max 125A | 4xRC* max 125A | 5kA |
| all | 40 - 50A | 4xRC* max 200A | 4xRC* max 200A | 5kA |
| all | 60 / 63A | 4xRC* max 250A | 4xRC* max 250A | 5kA |

*up to nearest rated current

D Trip Characteristic

I_n = 0.3A - 10A rated current



D Trip Characteristic

I_n = 13A - 60A rated current

