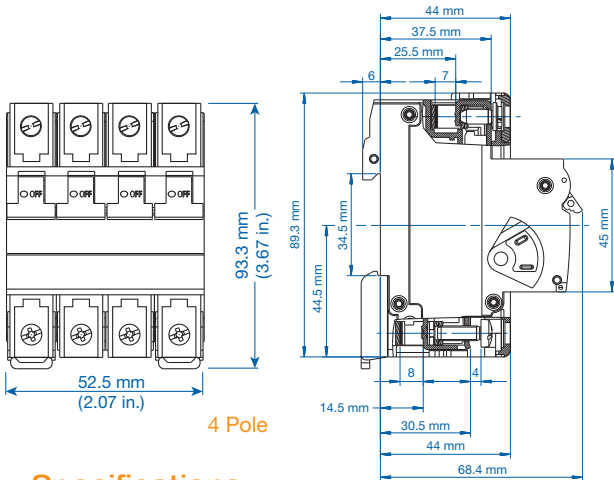




#### 4 POLE Standard Pack 3



Rated Current (I <sub>n</sub> )	Type/ Cat. No.	Approvals
0.3A	4C03UM	UL, SP, CE
0.5A	4C05UM	UL, SP, CE
0.75A	4C075UM	UL, SP, CE
1.0A	4C1UM	UL, SP, CE
1.6A	4C1.6UM	UL, SP, CE
2.0A	4C2UM	UL, SP, CE
2.5A	4C2.5UM	UL, SP, CE
3.0A	4C3UM	UL, SP, CE
3.5A	4C3.5UM	UL, SP, CE
4.0A	4C4UM	UL, SP, CE
5.0A	4C5UM	UL, SP, CE
6.0A	4C6UM	UL, SP, CE
8.0A	4C8UM	UL, SP, CE
10A	4C10UM	UL, SP, CE
13A	4C13UM	UL, SP, CE
15A	4C15UM	UL, SP, CE
16A	4C16UM	UL, SP, CE
20A	4C20UM	UL, SP, CE
25A	4C25UM	UL, SP, CE
30A	4C30UM	UL, SP, CE
32A	4C32UM	UL, SP, CE
40A	4C40UM	UL, SP, CE
50A	4C50UM	UL, SP, CE
60A	4C60UM	UL, SP, CE
63A	4C63UM	UL, SP, CE

Weight (per piece)

0.3A - 32A:	33A - 63A:
0.480 - 0.564 kg	0.548 - 0.632kg
1.058 - 1.243 lb	1.208 - 1.393 lb

### Specifications

<b>Voltage Rating</b>	480Y/277V AC 0.3-25A: 1 pole - 42V DC; 2 Pole - 80V DC 30-60A: 1 pole - 24V DC; 2 Pole - 60V DC
<b>Short Circuit Withstand Rating (UL/CSA - Ratings)</b>	0.3-60A (RC): 10kA with UL-listed RK5 back-up fuse or MCCB
<b>Group Short Circuit Withstand Rating (UL/CSA - Ratings)</b>	0.3-10A (RC): 10kA; 13-60A (RC): 5kA no branch circuit protection required
<b>Interrupting Capacity (VDE - Ratings)</b>	0.3-63A (RC): 10kA
<b>Calibration Temperature</b>	40°C (104°F)
<b>Operating Temperature</b>	-25°C to 70°C (-13°F to 158°F)
<b>Storage Temperature</b>	-40°C to 70°C (-40°F to 158°F)
<b>Terminal Size Acceptability</b>	Top: 18-3 AWG; Bottom: 18-2 AWG
<b>Terminal Torque</b>	2 Nm (17.7 lb.in.) / 2.5 Nm (22.2 lb.in.)
<b>Vibration Resistance</b>	> 15g according to DIN EN 60069-2-59 during a load with 1.05 x I <sub>N</sub>
<b>Resistance to mechanical shocks</b>	25g @ 11ms
<b>Terminal Protection Degree</b>	IP20
<b>Mounting Orientation</b>	In any plane

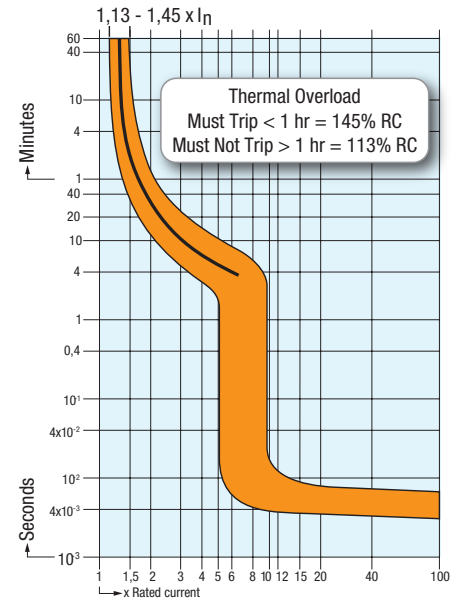
### Short Circuit Withstand Ratings for DSL8 Manual Motor Controller

Trip Curve	Amp Range	Backup Protection		
		UL-Listed RK5-Fuse up to 10kA	UL-Listed MCCB up to 10kA	No BCP Required up to:
all	0.3 - 10A	4xRC* min 15A, max 70A	4xRC* min 15A, max 70A	10kA
all	12 - 30/32A	4xRC* max 125A	4xRC* max 125A	5kA
all	40 - 50A	4xRC* max 200A	4xRC* max 200A	5kA
all	60 / 63A	4xRC* max 250A	4xRC* max 250A	5kA

\*up to nearest rated current

### C Trip Characteristic

I<sub>n</sub> = 0.3A - 10A rated current



### C Trip Characteristic

I<sub>n</sub> = 13A - 60A rated current

