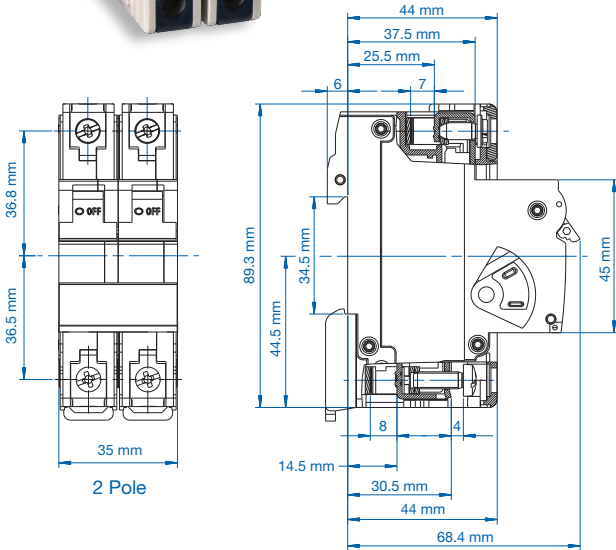




2 POLE
Standard Pack 6



Rated Current (I _n)	Type/ Cat. No.
0.5A	2B05UR
1.0A	2B1UR
2.0A	2B2UR
3.0A	2B3UR
4.0A	2B4UR
5.0A	2B5UR
6.0A	2B6UR
8.0A	2B8UR
10A	2B6UR
12A	2B12UR
13A	2B13UR
15A	2B15UR
16A	2B16UR
20A	2B20UR
25A	2B25UR
30A	2B30UR
32A	2B32UR
40A	2B40UR
50A	2B50UR
60A	2B60UR
63A	2B63UR

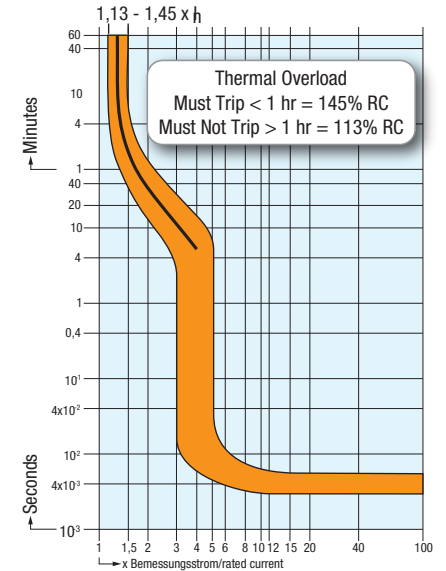
Weight (per piece)

0.3A - 32A:
0.240 - 0.282 kg
0.529 - 0.622 lb

33A - 63A:
0.274 - 0.316 kg
0.604 - 0.697 lb

B Trip Characteristic

I_n = 0.3A - 10A rated current



Specifications

Voltage Rating	0.5-63A / 480Y/277V AC
Short Circuit Withstand Rating	0.5 - 10A (RC): 10 kA with no back-up fuse 12 - 63A (RC): 10 kA with UL-listed Class J back-up fuse; 5 kA with no back-up fuse
Calibration Temperature	30°C (86°F)
Ambient Temperature	-25°C to +70°C (-13°F to 158°F)
Storage Temperature	-40°C to +70°C (-40°F to 158°F)
Terminal Torque (min/max)	2 Nm (17.7 lb.in.) / 2.5Nm (22.2 lb.in)
Electrical Life	6,000 switching cycles ON/ OFF
Mechanical Life	10,000 switching cycles ON/ OFF
Vibration Resistance	> 15g according to DIN EN 60069-2-59 during a load with 1.05 x I _n
Resistance to mechanical shocks	25g @ 11ms
Degree of protection acc. IEC/EN 60529	IP20
Mounting Orientation	In any plane

Short Circuit Withstand Ratings for DSL7 Supplementary Protector

Trip Curve	Amp Range	Backup Protection	
		UL-Listed Class J Fuse up to 10kA	No Backup Fuse Required up to:
all	0.5 - 10A	70A	10kA
all	12 - 63A	4xRC*	5kA

*up to nearest rated current

B Trip Characteristic

I_n = 13A - 63A rated current

