

GFL Series - 2 Pole + N, B Trip, 10 mA 10kA UL489 Listed Branch Circuit Breaker with Equipment Ground Fault Protection (RCBO)



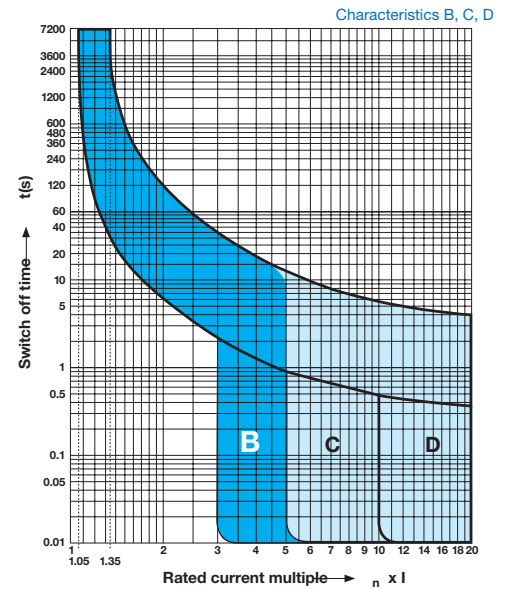
The GFL Series range is a combined Branch Circuit Breaker and Equipment Ground Fault Protector, featuring dual pole switching (live and neutral disconnect) and designed to provide protection against short circuits, overloads, AC ground faults (residual current faults) as well as pulsating DC ground faults.

Ordering Information

Rated Current	Type/ Cat. No.	Rated Voltage
5.0A	GFL2B05010SN	120/240V AC
6.0A	GFL2B06010SN	120/240V AC
8.0A	GFL2B08010SN	120/240V AC
10A	GFL2B10010SN	120/240V AC
12A	GFL2B12010SN	120/240V AC
13A	GFL2B13010SN	120/240V AC
15A	GFL2B15010SN	120/240V AC
16A	GFL2B16010SN	120/240V AC
20A	GFL2B20010SN	120/240V AC
25A	GFL2B25010SN	120/240V AC

UL 489
Branch Circuit Breaker
with Ground Fault Relay

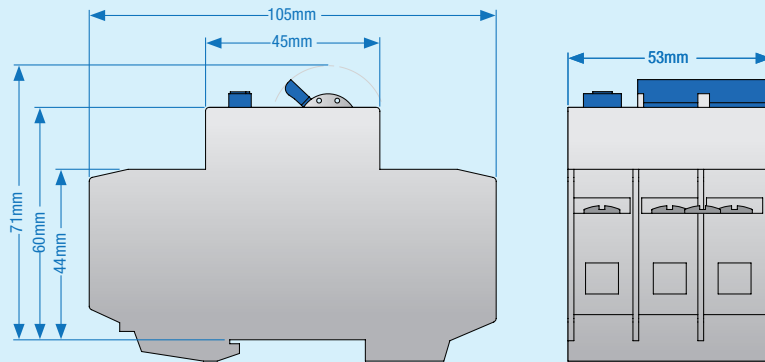
GFL Series RCBO Overload Trip Curves



Technical Specification

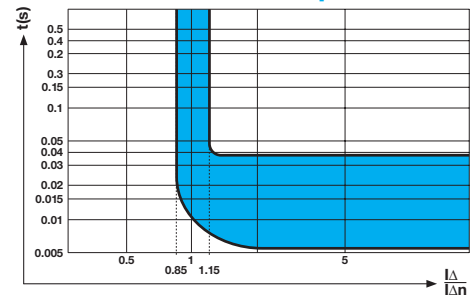
Number of Poles	2+N
Voltage Rating (maximum)	120/240V AC
Ground Fault Sensitivity Level	10 mA
Rated Short Circuit Interrupt Capacity	10 kA
Rated Frequency	50/60Hz
Trip Characteristic	B
Cable Size & Tightening Torque	Stranded Wire: 16 - 3 AWG (1.5 mm ² - 25 mm ²) @ 17.5 lb-in (2.0 Nm) Solid Wire: 16 - 10 AWG (1.5 mm ² - 5.5 mm ²) @ 17.5 lb-in (2.0 Nm) 18 - 16 AWG (1 mm ² - 1.5 mm ²) @ 25 lb-in (2.8 Nm)
Electrical Life	6000 Switching Operations
Mechanical Life	10000 Switching Operations

Dimensions
(to convert to inches multiply by 0.03937)



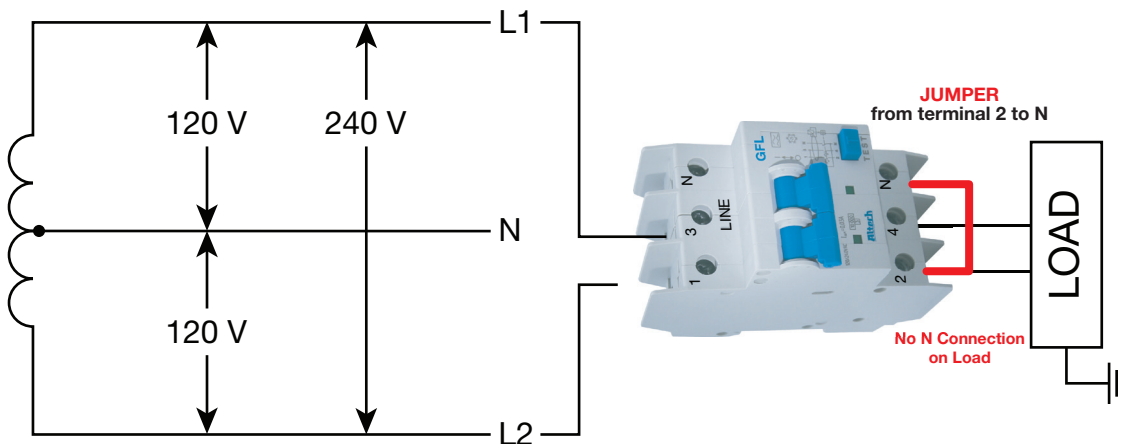
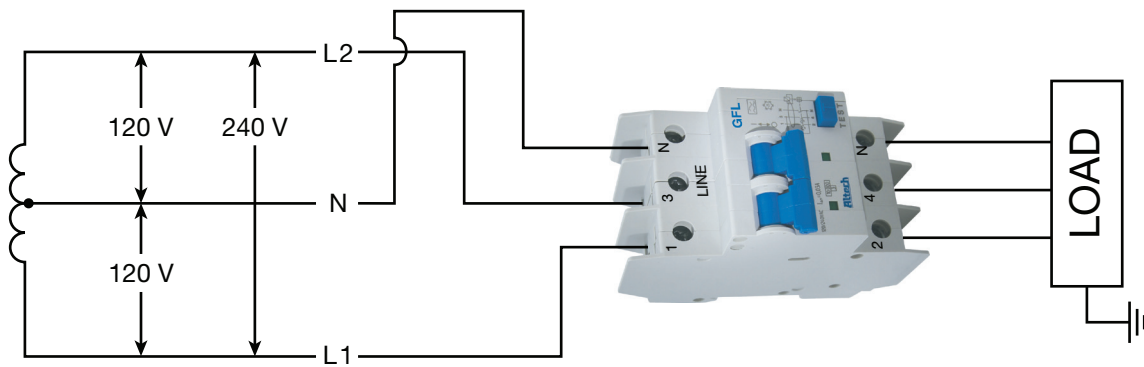
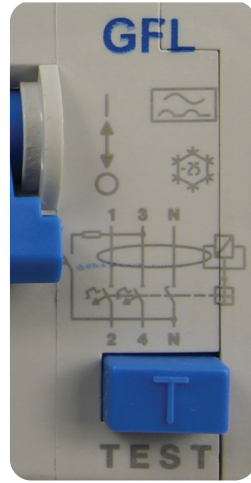
Weight 353 g

GFL Series RCBO Ground Fault Trip Curve



GFL Series - 2 Pole + N, B Trip, 10 mA
 Applicable voltage systems and wiring examples.

GFL...SN



UL 489
 Branch Circuit Breaker
 with Ground Fault Relay