

## GFL Series - 2 Pole + N, B Trip, 100 mA 10kA UL489 Listed Branch Circuit Breaker with Equipment Ground Fault Protection (RCBO)

The GFL Series range is a combined Branch Circuit Breaker and Equipment Ground Fault Protector, featuring dual pole switching (live and neutral disconnect) and designed to provide protection against short circuits, overloads, AC ground faults (residual current faults) as well as pulsating DC ground faults.

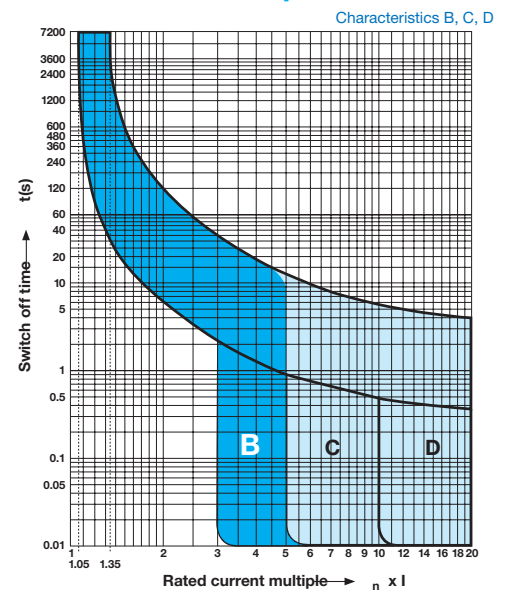


### Ordering Information

Rated Current	Type/ Cat. No.	Rated Voltage
5.0A	GFL2B05100SN	120/240V AC
6.0A	GFL2B06100SN	120/240V AC
8.0A	GFL2B08100SN	120/240V AC
10A	GFL2B10100SN	120/240V AC
12A	GFL2B12100SN	120/240V AC
13A	GFL2B13100SN	120/240V AC
15A	GFL2B15100SN	120/240V AC
16A	GFL2B16100SN	120/240V AC
20A	GFL2B20100SN	120/240V AC
25A	GFL2B25100SN	120/240V AC
30A	GFL2B30100SN	120/240V AC
32A	GFL2B32100SN	120/240V AC
35A	GFL2B35100SN	120/240V AC
40A	GFL2B40100SN	120/240V AC

UL 489  
Branch Circuit Breaker  
with Ground Fault Relay

### GFL Series RCBO Overload Trip Curves

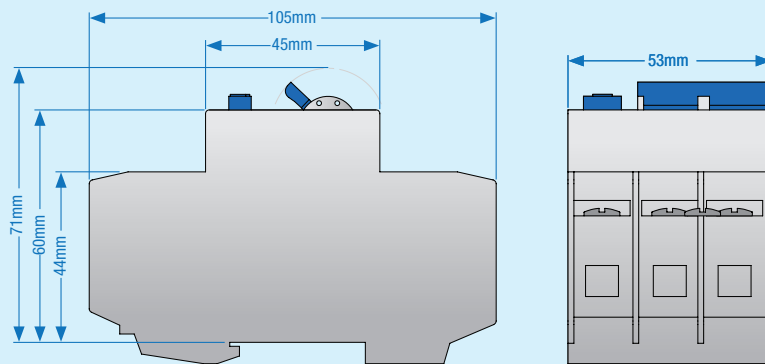


### Technical Specification

Number of Poles	2+N
Voltage Rating (maximum)	120/240V AC
Ground Fault Sensitivity Level	100 mA
Rated Short Circuit Interrupt Capacity	10 kA
Rated Frequency	50/60Hz
Trip Characteristic	B
Cable Size & Tightening Torque	Stranded Wire: 16 - 3 AWG (1.5 mm <sup>2</sup> - 25 mm <sup>2</sup> ) @ 17.5 lb-in (2.0 Nm) Solid Wire: 16 - 10 AWG (1.5 mm <sup>2</sup> - 5.5 mm <sup>2</sup> ) @ 17.5 lb-in (2.0 Nm) 18 - 16 AWG (1 mm <sup>2</sup> - 1.5 mm <sup>2</sup> ) @ 25 lb-in (2.8 Nm)
Electrical Life	6000 Switching Operations
Mechanical Life	10000 Switching Operations

#### Dimensions

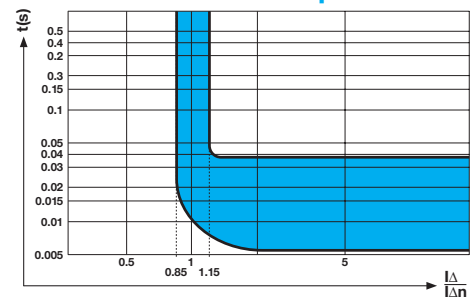
(to convert to inches multiply by 0.03937)



Weight

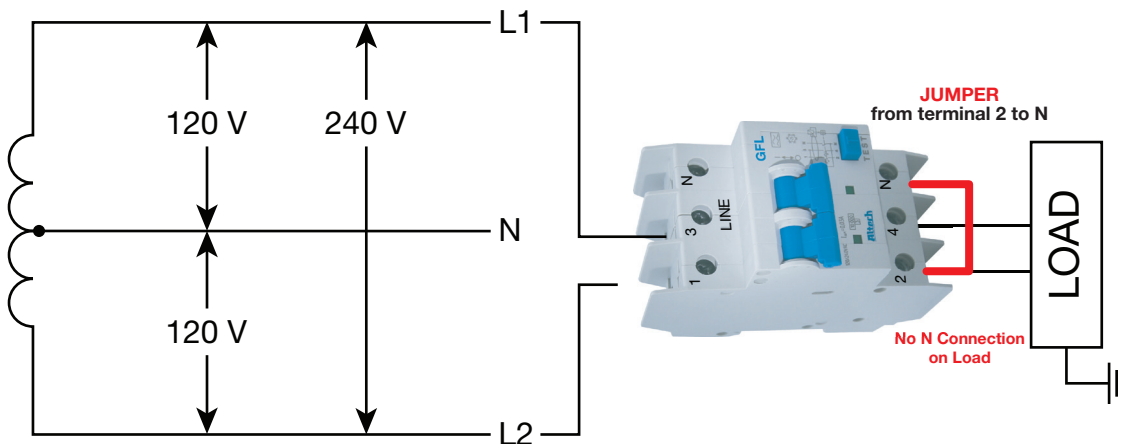
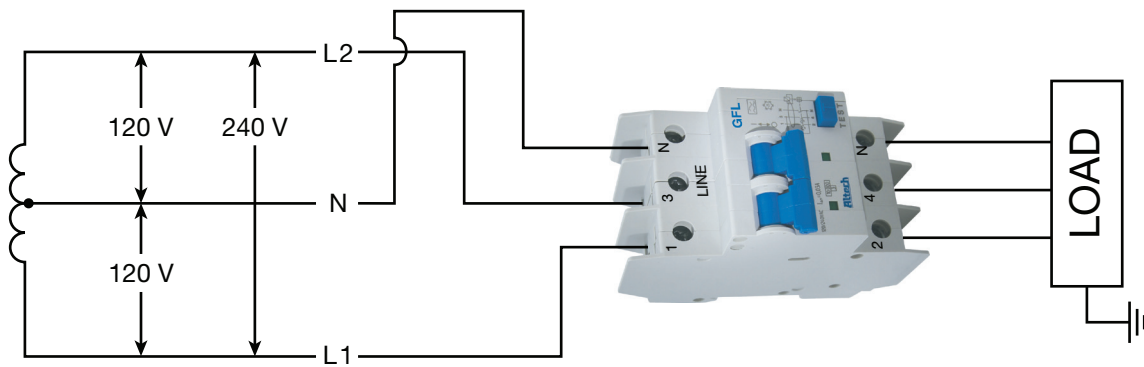
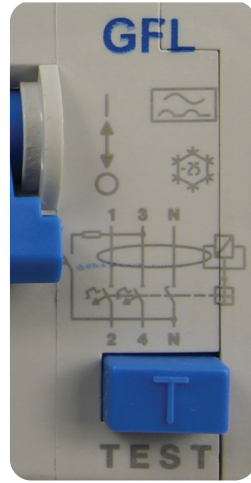
353 g

### GFL Series RCBO Ground Fault Trip Curve



GFL Series - 2 Pole + N, B Trip, 100 mA  
 Applicable voltage systems and wiring examples.

**GFL...SN**



**UL 489**  
 Branch Circuit Breaker  
 with Ground Fault Relay