

# GFL Series - 1 Pole+N, B Trip, 10 mA 10kA UL489 Listed Branch Circuit Breaker with Equipment Ground Fault Protection (RCBO)

The GFL Series range is a combined Branch Circuit Breaker and Equipment Ground Fault Protector, featuring dual pole switching (live and neutral disconnect) and designed to provide protection against short circuits, overloads, AC ground faults (residual current faults) as well as pulsating DC ground faults.



UL 489  
Branch Circuit Breaker  
with Ground Fault Relay

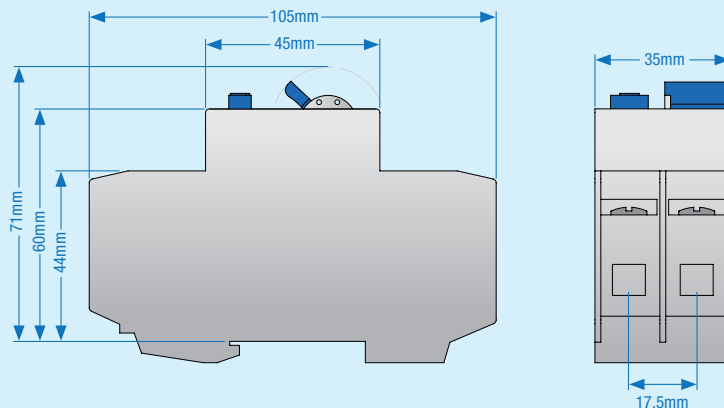
## Ordering Information

Rated Current	Type/ Cat. No.	Rated Voltage
5.0A	GFL2B050102	240V AC
6.0A	GFL2B060102	240V AC
8.0A	GFL2B080102	240V AC
10A	GFL2B100102	240V AC
12A	GFL2B120102	240V AC
13A	GFL2B130102	240V AC
15A	GFL2B150102	240V AC
16A	GFL2B160102	240V AC
20A	GFL2B200102	240V AC
25A	GFL2B250102	240V AC

## Technical Specification

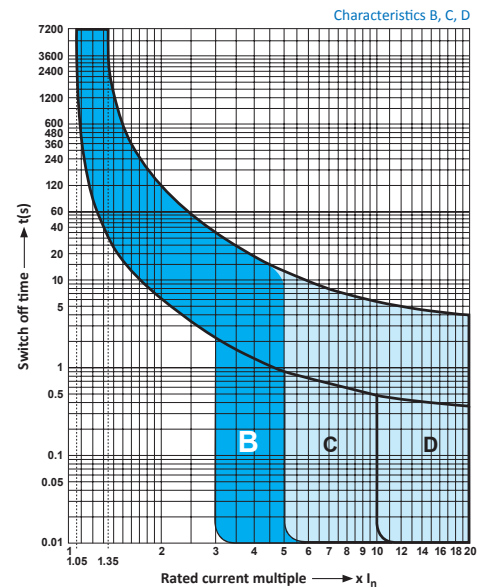
Number of Poles	1+N
Voltage Rating (maximum)	240V AC
Ground Fault Sensitivity Level	10 mA
Rated Short Circuit Interrupt Capacity	10 kA
Rated Frequency	50/60Hz
Trip Characteristic	B
Cable Size & Tightening Torque	Stranded Wire: 16 - 3 AWG (1.5 mm <sup>2</sup> - 25 mm <sup>2</sup> ) @ 17.5 lb-in (2.0 Nm) Solid Wire: 16 - 10 AWG (1.5 mm <sup>2</sup> - 5.5 mm <sup>2</sup> ) @ 17.5 lb-in (2.0 Nm) 18 - 16 AWG (1 mm <sup>2</sup> - 1.5 mm <sup>2</sup> ) @ 25 lb-in (2.8 Nm)
Electrical Life	6000 Switching Operations
Mechanical Life	10000 Switching Operations

### Dimensions (to convert to inches multiply by 0.03937)

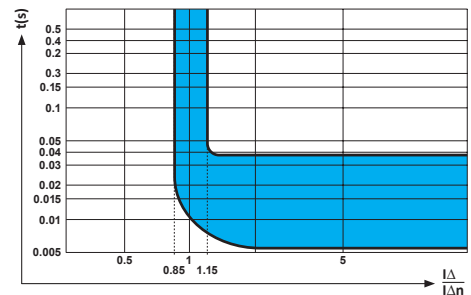


Weight 220 g

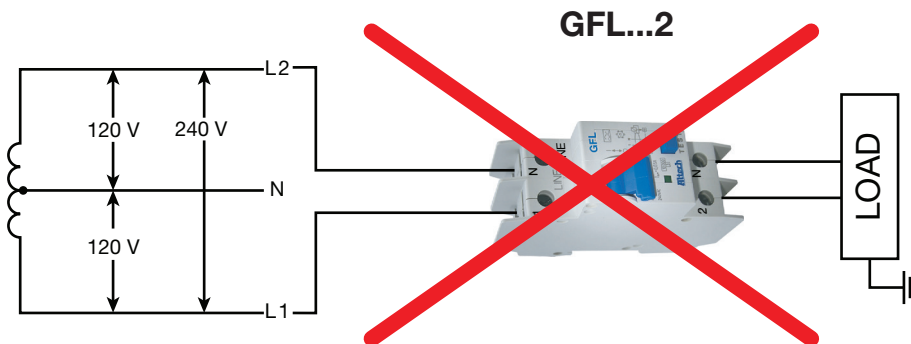
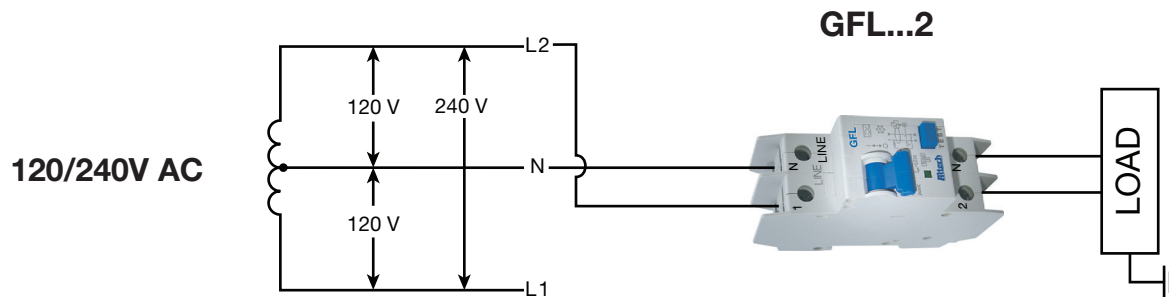
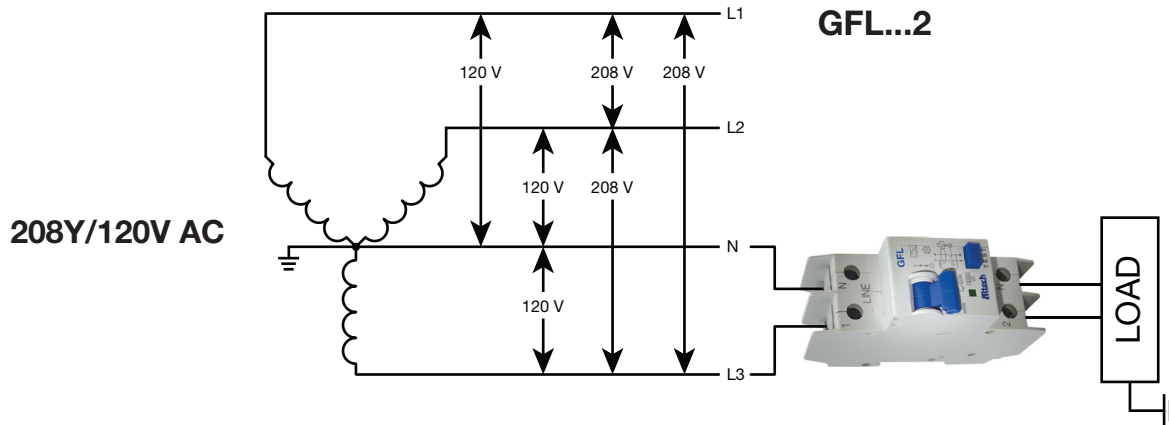
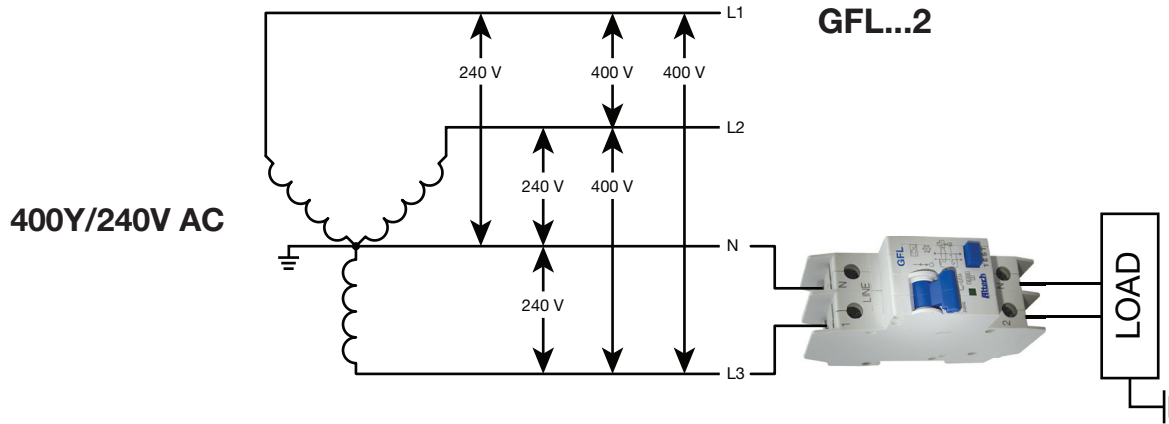
## GFL Series RCBO Overload Trip Curves



## GFL Series RCBO Ground Fault Trip Curve



GFL Series - 1 Pole+N, B Trip, 10 mA  
 Applicable voltage systems and wiring examples.



**NOTE:**  
 Wiring a hot leg/phase to  
 N terminal is not permitted.

**UL 489**  
 Branch Circuit Breaker  
 with Ground Fault Relay