

Standard Rope Pull Switches

Momentary or Latching



SI88



SEK



SEM2



SIEM2

Because of their specifications governed by corresponding standards (see Cable Safety Pull Switches SRM/SR), these cable pull switches are used exclusively as command devices.

These switches are available in metal enclosures as well as in insulation-enclosed versions. They are operated manually by pulling on the attached cable.

Thanks to their pretension, these switches, which feature a switching contact with overlap, execute a switching function when the cable is pulled or in the event of cable breakage.

The field of application for these rope pull switches includes

- Opening and closing of (garage) doors
- Starting machines
- Issuing commands in production processes

The basic design of the standard rope pull switches is based on that of position switches.

The specified cable length refers to the maximum length at minimum temperature variation. The maximum cable length may decrease under different environmental conditions.



SD



SID



SID



SIN

Standard Rope Pull Switches

Technical Information

Technical data		SEK	SiEK	SEM2	SIEM2
Electrical data					
Rated insulation voltage	U_i	400 V AC	400 V AC	400 V AC	400 V AC
Rated operating voltage	U_e	240 V	240 V	240 V	240 V
Conventional thermal current	I_{the}	10 A	10 A	10 A	10 A
Utilisation category	U_e/I_e	AC-15, U_e/I_e 240 V / 3 A	AC-15, U_e/I_e 240 V / 3 A	AC-15, U_e/I_e 240 V / 3 A	AC-15, U_e/I_e 240 V / 3 A
Mechanical data					
Switching frequency max.		≤ 50/min.	max. 100/min.	max. 50/min.	max. 50/min.
Mechanical service life		1 x 10 ⁶ switching cycles	1 x 10 ⁶ switching cycles	1 x 10 ⁶ switching cycles	1 x 10 ⁶ switching cycles
B10d		on request	on request	on request	on request
Short-circuit protection		Fuse 10 A gL/gG	Fuse 10 A gL/gG	Fuse 10 A gL/gG	Fuse 10 A gL/gG
Protection class		II, Insulated	II, Insulated	I	I
Ambient temperature		- 30°C to + 80°C	- 30°C to + 80°C	- 30°C to + 80°C	- 30°C to + 80°C
Protection class		IP65 conforming to IEC/EN 60529	IP65 conforming to EN 60529	IP65 conforming to EN 60529	IP65 conforming to EN 60529; DIN VDE 0470 T1
Type of connection		4 Screw connections (M3, 5)	4 Screw connections (M3, 5)	4 Screw connections (M3, 5)	Screw connections
Conductor cross sections		Single-wire 0.5 – 1.5 mm ² or Stranded wire with ferrule 0.5 – 1.5 mm ²	Single-wire 0.5 – 1.5 mm ² or Stranded wire with ferrule 0.5 – 1.5 mm ²	Single-wire 0.5 – 1.5 mm ² or Stranded wire with ferrule 0.5 – 1.5 mm ²	Single-wire 0.5 – 1.5 mm ² or Stranded wire with ferrule 0.5 – 1.5 mm ²
Enclosure		Thermoplastic, glass fibre-reinforced	Thermoplastic, glass fibre-reinforced	Aluminium pressure die-casting	Aluminium pressure die-casting
Cable entry		1 x M20 x 1.5	1 x M20 x 1.5	1 x M20 x 1.5	1 x M20 x 1.5
Standards					
VDE 0660 T100, DIN EN 60947-1, IEC 60947-1 VDE 0660 T200, DIN EN 60947-5-1, IEC 60947-5-1					

Standard Rope Pull Switches

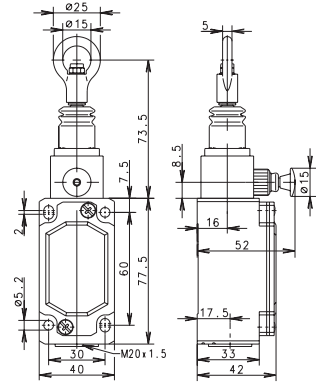
Technical Information

Technical data		SD	SiD	SIN	SGC	Si88
Electrical data						
Rated insulation voltage	U_i	400 V AC	400 V AC	400 V AC	400 V AC	250 V AC
Rated operating voltage	U_e	240 V	240 V	240 V	240 V	240 V
Conventional thermal current	I_{the}	16 A	16 A	10 A	10 A	10 A
Utilisation category	U_e/I_e	AC-15, U_e/I_e 240 V / 3 A	AC-15, U_e/I_e 240 V / 3 A	AC-15, U_e/I_e 240 V / 3 A	AC-15, U_e/I_e 240 V / 3 A	AC-15, U_e/I_e 240 V / 3 A
Mechanical data						
Switching frequency max.		≤ 20/min.	max. 20/min.	≤ 20/min.	≤ 20/min.	≤ 50/min.
Mechanical service life		1 x 10 ⁶ switching cycles	1 x 10 ⁶ switching cycles	1 x 10 ⁶ switching cycles	1 x 10 ⁶ switching cycles	1 x 10 ⁶ switching cycles
B10d		on request	on request	on request	on request	on request
Short-circuit protection		Fuse 10 A gL/gG	Fuse 10 A gL/gG	Fuse 10 A gL/gG	Fuse 10 A gL/gG	Fuse 10 A gL/gG
Protection class		I	I	I	I	I
Ambient temperature		- 30°C to + 80°C	- 30°C to + 80°C	- 30°C to + 80°C	- 30°C to + 80°C	- 30°C to + 80°C
Protection class		IP65 conforming to EN 60529	IP65 conforming to EN 60529	IP65 conforming to EN 60529	IP65 conforming to EN 60529	IP65 conforming to EN 60529
Type of connection		Screw connections	Screw connections	Screw connections	Screw connections	Screw connections
Conductor cross sections		Single-wire 0.5 – 1.5 mm ² or Stranded wire with ferrule 0.5 – 1.5 mm ²	Single-wire 0.5 – 1.5 mm ² or Stranded wire with ferrule 0.5 – 1.5 mm ²	Single-wire 0.5 – 1.5 mm ² or Stranded wire with ferrule 0.5 – 1.5 mm ²	Single-wire 0.5 – 1.5 mm ² or Stranded wire with ferrule 0.5 – 1.5 mm ²	Single-wire 0.5 – 1.5 mm ² or Stranded wire with ferrule 0.5 – 1.5 mm ²
Enclosure		Aluminium pressure die-casting	Aluminium pressure die-casting	Aluminium pressure die-casting	Aluminium pressure die-casting	Thermoplastic, glass fibre-reinforced
Cable entry		2 x M20 x 1.5	2 x M20 x 1.5	2 x M20 x 1.5	1 x M20 x 1,5	1 x M20 x 1,5
Standards						
VDE 0660 T100, DIN EN 60947-1, IEC 60947-1 VDE 0660 T200, DIN EN 60947-5-1, IEC 60947-5-1						

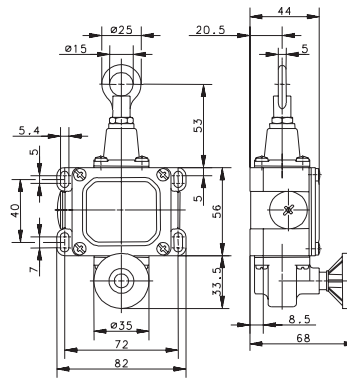
Standard Rope Pull Switches

Latching with Reset Button

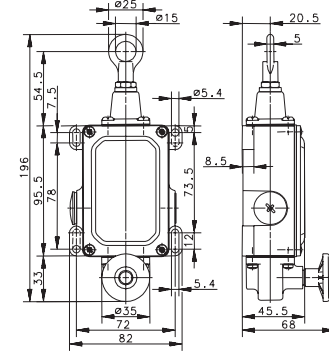
SIEM2 RAST



SID RAST



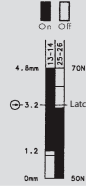
SID RAST



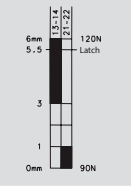
Variant 1

Article No.
Designation
Max. span

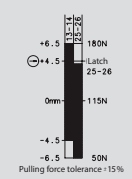
6012831023
SIEM2-UV1Z P-RAST
6 m



6011411868
SD-U1 P-RAST
8 m



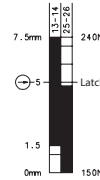
6112431050
SID-UV1Z P-RAST
35 m



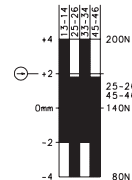
Variant 2

Article No.
Designation
Max. span

6111431060
SID-UV1Z P-RAST
15 m



6012441907
SID-UV2Z P-RAST
18 m



Variant 3

Article No.
Designation
Max. span

6011431869
SID-UV1Z P-RAST
12 m



Technical data

Rated insulation voltage U_i max.
Rated operating voltage U_e max
Conventional thermal current I_{the}
Utilisation category U_e/I_e

400 V AC
240 V
10 A
AC-15, 240 V/3 A

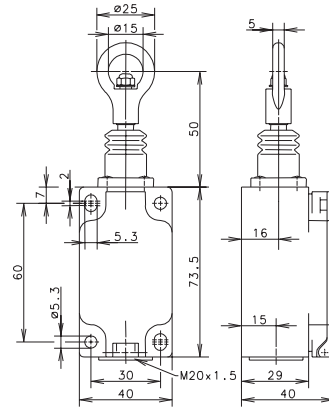
400 V AC
240 V
16 A
AC-15, 240 V/3 A

400 V AC
240 V
16 A
AC-15, 240 V/3 A

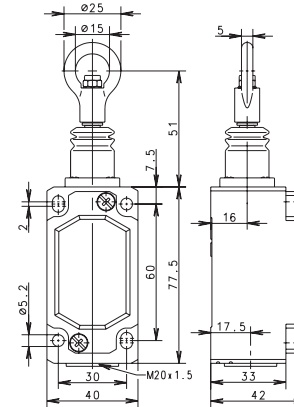
Standard Rope Pull Switches

Momentary Activation

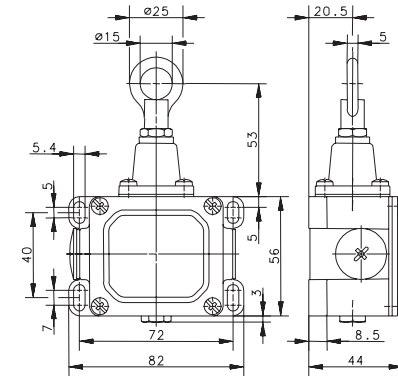
SEK/SIEK



SEM/SIEM2



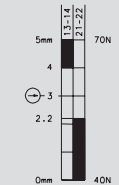
SD



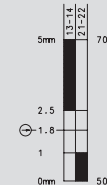
Variant 1

Article No.
Designation
Max. span

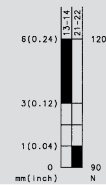
6011811133
SEK-U1Z
6 m



6012811029
SEM2-U1Z
6 m



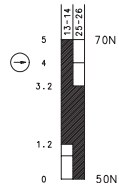
6011411856
SD-U1
8 m



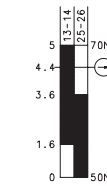
Variant 2

Article No.
Designation
Max. span

6011831134
SIEK-UV1Z
4 m



6012831022
SIEM2-UV1Z
6 m



Variant 3

Article No.
Designation
Max. span

6111411161
SD-U1
6 m



Technical data

Rated insulation voltage U_i max.
Rated operating voltage U_o max
Conventional thermal current I_{the}
Utilisation category U_c/I_c

400 V AC
240 V
10 A
AC-15, 240 V/3 A

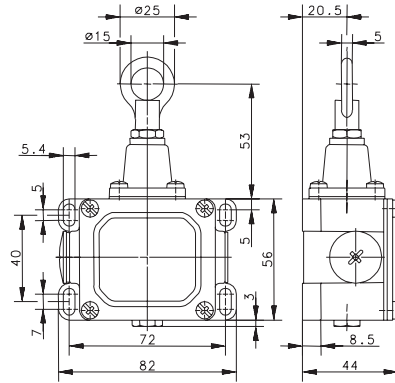
400 V AC
240 V
10 A
AC-15, 240 V/3 A

500 V AC
240 V
16 A
AC-15, 240 V/3 A

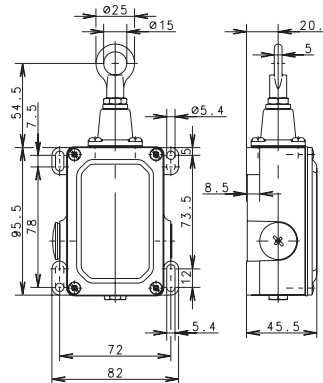
Standard Rope Pull Switches

Momentary Activation

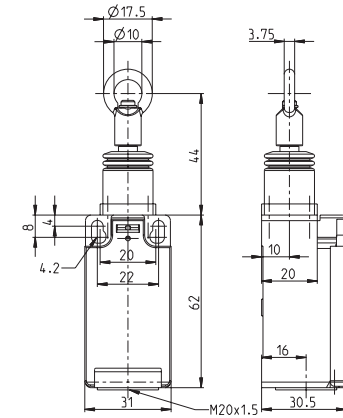
SID



SID



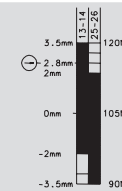
Si88



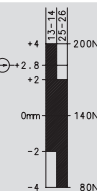
Variant 1

Article No.
Designation
Max. span

6011431857
SID-UV1Z
4 m



6012431877
SID-UV1
8 m



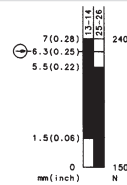
6013811107
Si88-UV1Z
2 m



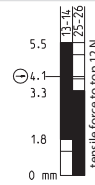
Variant 2

Article No.
Designation
Max. span

6111431022
SID-UV1Z
8 m



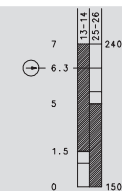
6013831108
Si88-UV1Z
2 m



Variant 3

Article No.
Designation
Max. span

6111431069
SID-UV1Z
12 m



Technical data

Rated insulation voltage U_i max.
Rated operating voltage U_o max
Conventional thermal current I_{the}
Utilisation category U_c/I_c

400 V AC
240 V
16 A
AC-15, 240 V/3 A

500 V AC
240 V
16 A
AC-15, 240 V/3 A

250 V AC
240 V
10 A
AC-15, 240 V/3 A