

## Ti2 - Series

Small Plastic Body

Position & Limit Switches



# Position & Limit Switches

## Ti2 Series - Plastic Body



### Product characteristics

- Compact dimensions
- 2 contacts, 1 or 2 positive break contacts
- Protection class IP65
- Different actuators
- Snap-on cover can be released with a screwdriver

### Good to know ...

With a higher protection class (IP65) and a wider range of actuators such as the C2, the Ti2 is suitable for many different applications.



# Position & Limit Switches

## Ti2 Series - Plastic Body

### Technical design

- Slow- and snap action
- **Versions:** 1 NC/1 NO, 2 NC, 2 NO

### Technical data

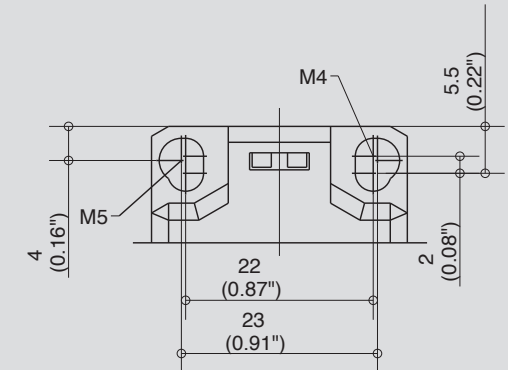
Electrical data		
Design insulation voltage	$U_i$ max.	240 V AC
Conventional thermoelectric current	$I_{the}$	10 A
Rated operating voltage	$U_e$ max.	240 V
Utilisation category	$U_e/I_e$	AC-15, $U_e/I_e$ 240 V/3 A; DC-13, $U_e/I_e$ 240 V/0.27 A
Short-circuit protection		Safety fuse 6 A gL/gG
Protection class		II, protective insulation
Mechanical data		
Enclosure material		Thermoplastics, glass-fibre reinforced (UL 94-V0)
Ambient temperature		-30 °C to +80 °C
Mechanical lifetime		3 x 10 <sup>6</sup> switching cycles
B10d		6 million
Switching frequency		≤ 100/min.
Type of connection		Screwed terminals
Conductor cross-sections		Single-wire 0.5 – 1.5 mm <sup>2</sup> or strand with wireend ferrule 0.5 – 1.5 mm <sup>2</sup>
Cable entry		1 x M16 x 1.5
Protection class		IP65 conforming to EN 60529; DIN VDE 0470 T1
Standards		
VDE 0660 T100, DIN EN 60947-1, IEC 60947-1VDE		
0660 T200, DIN EN 60947-5-1, IEC 60947-5-1		

### Options

- Available with M12 connectors
- Customised cables and connectors upon request

### Mounting

- Mounting dimension according to DIN EN 50047
- 2 oval holes for adjustment for screws M4 (distance 22 mm)
- Fixed positioning for safety applications with two M5 screws (distance 23 mm)



# Position & Limit Switches

## Ti2 Series - Plastic Body

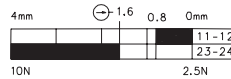
### Ti2-... W



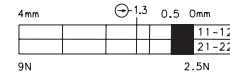
	1 NC / 1 NO	2 NC	2 NO
--	-------------	------	------

Slow-action system

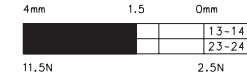
**6088103001**  
Ti2-U1Z W



**6088803003**  
Ti2-A2Z W

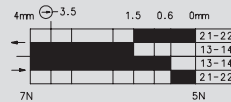


**6088803005**  
Ti2-E2 W



Snap-action system

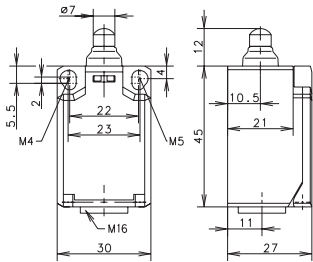
**6088153002**  
Ti2-SU1Z W



**6088853004**  
Ti2-SA2Z W



Special feature (on request): available with increased switching force



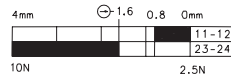
### Ti2-... RIW



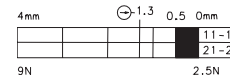
	1 NC / 1 NO	2 NC	2 NO
--	-------------	------	------

Slow-action system

**6088117007**  
Ti2-U1Z RIW

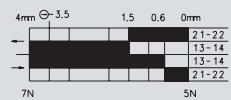


**6088817009**  
Ti2-A2Z RIW

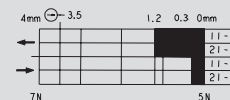


Snap-action system

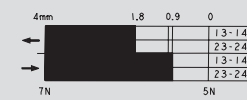
**6088167008**  
Ti2-SU1Z RIW



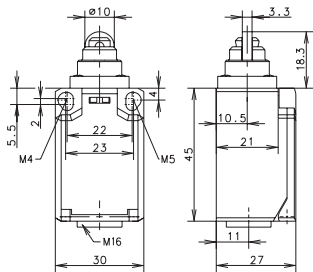
**6088867010**  
Ti2-SA2Z RIW



**6088867012**  
Ti2-SE2 RIW



Special features (on request): available with increased switching force; available with different actuating directions; cannot be turned by user



# Position & Limit Switches

## Ti2 Series - Plastic Body



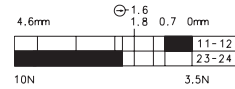
Replacement actuator: 3918190681

Ti2-... HW

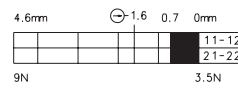
	1 NC / 1 NO	2 NC	2 NO
--	-------------	------	------

Slow-action system

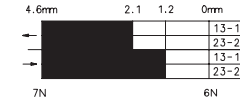
**6088121015**  
Ti2-U1Z HW



**6088821017**  
Ti2-A2Z HW

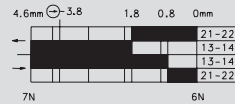


**6088871020**  
Ti2-SE2 HW

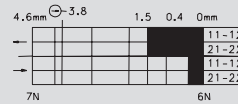


Snap-action system

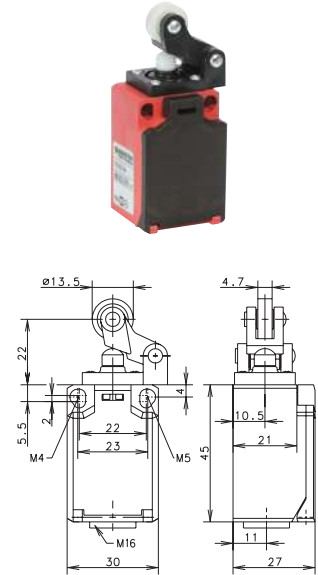
**6088171016**  
Ti2-SU1Z HW



**6088871018**  
Ti2-SA2Z HW



Special features (on request): available with different actuating directions; with steel roller; various roller diameters



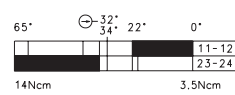
Replacement actuator: 3918351166

Ti2-... AH

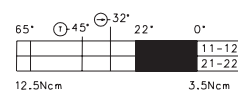
	1 NC / 1 NO	2 NC
--	-------------	------

Slow-action system

**6088135021**  
Ti2-U1Z AH

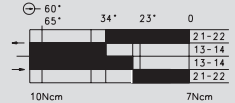


**6088835023**  
Ti2-A2Z AH

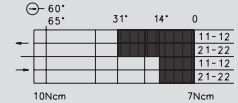


Snap-action system

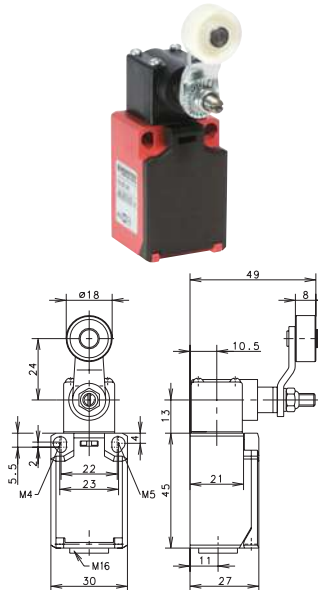
**6088185022**  
Ti2-SU1Z AH



**6088885024**  
Ti2-SA2Z AH

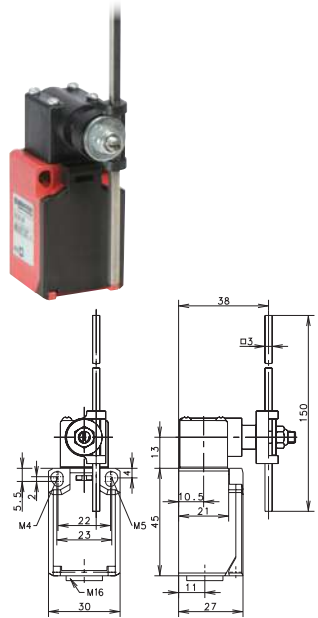


Special features (on request): available with different actuating directions; with a steel roller; various roller diameters; cranked or straight lever; various lever lengths; with a roller over switch



# Position & Limit Switches

## Ti2 Series - Plastic Body



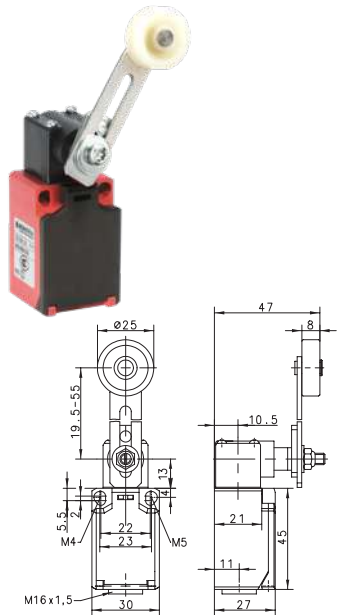
### Ti2-... AD

Replacement actuator: 3918370986



	1 NC / 1 NO	2 NC	2 NO								
<b>Slow-action system</b>	<p><b>6088137027</b> Ti2-U1 AD</p> <p>65° 34° 22° 0°</p> <table border="1"> <tr><td>11-12</td></tr> <tr><td>23-24</td></tr> </table> <p>14Ncm 3.5Ncm</p>	11-12	23-24	<p><b>6088837029</b> Ti2-A2 AD</p> <p>65° 22° 0°</p> <table border="1"> <tr><td>11-12</td></tr> <tr><td>21-22</td></tr> </table> <p>12.5Ncm 3.5Ncm</p>	11-12	21-22	<p><b>6088887032</b> Ti2-SE2 AD</p> <p>65° 38° 27° 0°</p> <table border="1"> <tr><td>13-14</td></tr> <tr><td>23-24</td></tr> <tr><td>13-14</td></tr> <tr><td>23-24</td></tr> </table> <p>10Ncm 7Ncm</p>	13-14	23-24	13-14	23-24
11-12											
23-24											
11-12											
21-22											
13-14											
23-24											
13-14											
23-24											
<b>Snap-action system</b>	<p><b>6088187028</b> Ti2-SU1 AD</p> <p>65° 34° 23° 0°</p> <table border="1"> <tr><td>21-22</td></tr> <tr><td>13-14</td></tr> <tr><td>13-14</td></tr> <tr><td>21-22</td></tr> </table> <p>10Ncm 7Ncm</p>	21-22	13-14	13-14	21-22	<p><b>6088887030</b> Ti2-SA2 AD</p> <p>⊖60° 65° 31° 14° 0°</p> <table border="1"> <tr><td>11-12</td></tr> <tr><td>21-22</td></tr> <tr><td>11-12</td></tr> <tr><td>21-22</td></tr> </table> <p>10Ncm 7Ncm</p>	11-12	21-22	11-12	21-22	
21-22											
13-14											
13-14											
21-22											
11-12											
21-22											
11-12											
21-22											

Special features (on request): available with increased switching force; available with different actuating directions; with various actuator lengths



### Ti2-... AV

Replacement actuator: 3918360984



	1 NC / 1 NO	2 NC	2 NO												
<b>Slow-action system</b>	<p><b>6088136033</b> Ti2-U1 AV</p> <p>65° 34° 22° 0°</p> <table border="1"> <tr><td>11-12</td></tr> <tr><td>23-24</td></tr> </table> <p>14Ncm 3.5Ncm</p>	11-12	23-24		<p><b>6088836037</b> Ti2-E2 AV</p> <p>65° 34° 0°</p> <table border="1"> <tr><td>13-14</td></tr> <tr><td>23-24</td></tr> </table> <p>16Ncm 3.5Ncm</p>	13-14	23-24								
11-12															
23-24															
13-14															
23-24															
<b>Snap-action system</b>	<p><b>6088186034</b> Ti2-SU1 AV</p> <p>65° 34° 23° 0°</p> <table border="1"> <tr><td>21-22</td></tr> <tr><td>13-14</td></tr> <tr><td>13-14</td></tr> <tr><td>21-22</td></tr> </table> <p>10Ncm 7Ncm</p>	21-22	13-14	13-14	21-22	<p><b>6088886036</b> Ti2-SA2 AV</p> <p>⊖60° 65° 31° 14° 0°</p> <table border="1"> <tr><td>11-12</td></tr> <tr><td>21-22</td></tr> <tr><td>11-12</td></tr> <tr><td>21-22</td></tr> </table> <p>10Ncm 7Ncm</p>	11-12	21-22	11-12	21-22	<p><b>6088886038</b> Ti2-SE2 AV</p> <p>65° 38° 27° 0°</p> <table border="1"> <tr><td>13-14</td></tr> <tr><td>23-24</td></tr> <tr><td>13-14</td></tr> <tr><td>23-24</td></tr> </table> <p>10Ncm 7Ncm</p>	13-14	23-24	13-14	23-24
21-22															
13-14															
13-14															
21-22															
11-12															
21-22															
11-12															
21-22															
13-14															
23-24															
13-14															
23-24															

Special features (on request): available with different actuating directions; various roller diameters; various lever lengths; with roller over switch