

SN2 - Series

Large Metal Body

Position & Limit Switches



Position & Limit Switches

SN2 Series - Metal Body



Product characteristics

- Protection class IP65 conforming to VDE 0470 T1
- Enclosure: Die-cast aluminium
- Cover: Sheet aluminium
- Actuator can be repositioned by 4 x 90°
- Cable entry 3 x M20 x 1.5
- Connection designation conforming to DIN EN 50013
- Metal actuators for high loads
- Graduated adjustment of the AH lever
- Selectable direction-dependent contact-making of the AH actuator (basic setting: contact-making on both sides)

Good to know ...

With its three cable entries and spacious connection area, the SN2 limit switch is the optimum solution for through-wiring or even for branching off electrical circuits.

Options

- Customised cables and connectors are available on request

Position & Limit Switches

SN2 Series - Metal Body

Technical design

- Slow- and snap action
- **Versions:** 1 NC/1 NO, 2 NC
- All NC contacts with \ominus in the circuit diagram are positively opening contacts
- Type: Zb (galvanically isolated changeover contact)
- Latching function available on request

Technical data

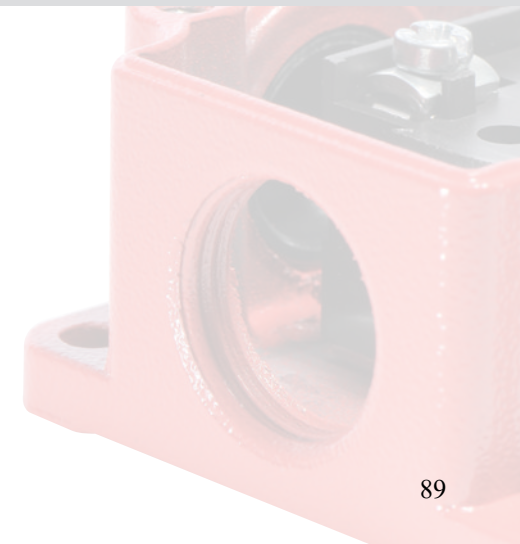
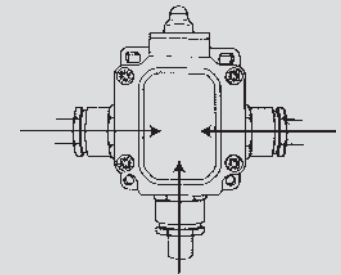
Electrical data		
Design insulation voltage	U_i max.	400 V AC
Conventional thermoelectric current	I_{the}	10 A
Rated operating voltage	U_e max.	240 V
Utilisation category		AC-15, A300, U_e/I_e 240 V/3 A
Short circuit protection (up to) ^①		Safety fuse 10 A gL/gG
Protection class		I
Mechanical data		
Enclosure material		Die-cast aluminium
Ambient temperature		-30 °C to + 80 °C
Mechanical lifetime		10 x 10 ⁶ switching cycles
B10d (up to) ^①		20 million
Switching frequency		max. 100/min.
Type of connection		Screwed connections
Conductor cross-sections		Single-wire 0.5 – 1.5 mm ² or strand with wire-end ferrule 0.5 – 1.5 mm ²
Cable entry		3 x M20 x 1.5
Protection class		IP65 conforming to EN 60529, DIN VDE 0470 T1
Standards		
conforms to EN 60947-1; EN 60947-5-1		
① Depending on switching system		

Mounting

- 2 M5 oval holes for adjustment
- 2 additional holes for M5 mounting screws in safety applications

Installation advantages

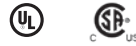
- 3 cable entries for through-wiring
- Generously dimensioned connection space
- Screw connections with self-lifting clamping plates
- Easy-to-change switching system thanks to snap-in retainer
- Finely adjustable switching point with adjusting screw



Position & Limit Switches

SN2 Series - Metal Body

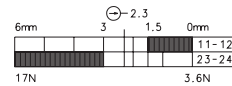
SN2... W



1 NC / 1 NO

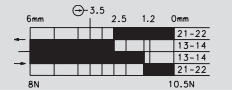
Slow-action system

6033103023
SN2-U1Z W



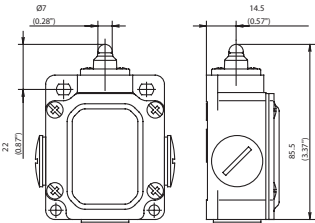
Snap-action system

6033353016
SN2-SU1Z W



Special features (on request)

Replacement actuator: 3913030537



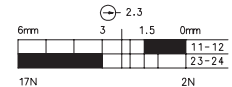
SN2... RIW



1 NC / 1 NO

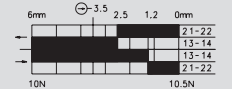
Slow-action system

6033117025
SN2-U1Z RIW



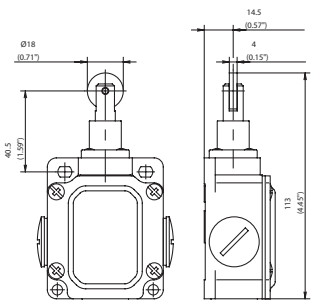
Snap-action system

6033367017
SN2-SU1Z RIW



Special feature (on request): available with different actuating directions;
with latching function

Replacement actuator: 3918170587



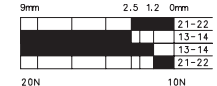
SN2... LIW



1 NC / 1 NO

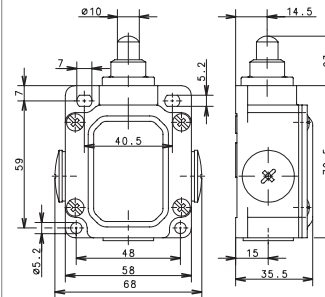
Snap-action system

6033194022
SN2-SU1 LIW



Special feature: Telescopic plunger, particularly long actuation travel of 9 mm

Replacement actuator: 3912440536



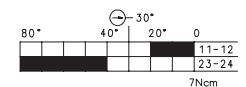
SN2... AHS



1 NC / 1 NO

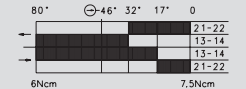
Slow-action system

6033135002
SN2-U1Z AHS



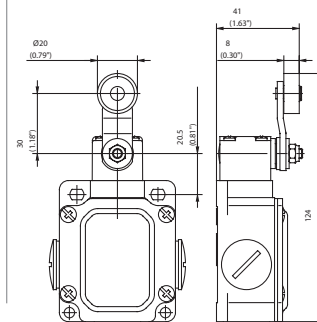
Snap-action system

6033385018
SN2-SU1Z AHS



Special feature (on request): available with different actuating directions

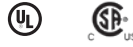
Replacement actuator: 3913351913



Position & Limit Switches

SN2 Series - Metal Body

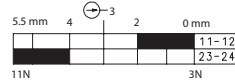
SN2-... DGHW



1 NC / 1 NO

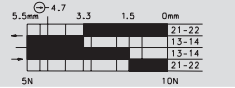
Slow-action system

6033121005
SN2-U1Z DGHW



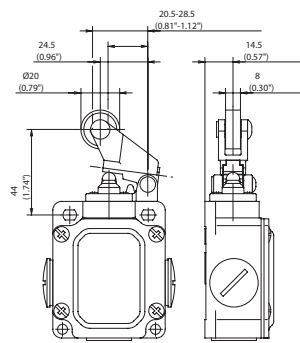
Snap-action system

6033371004
SN2-SU1Z DGHW



Special feature (on request): available with different actuating directions

Replacement actuator: 3918211656



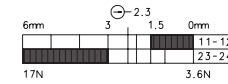
SN2-... HW



1 NC / 1 NO

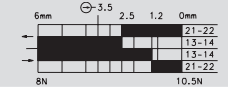
Slow-action system

6033121007
SN2-U1Z HW



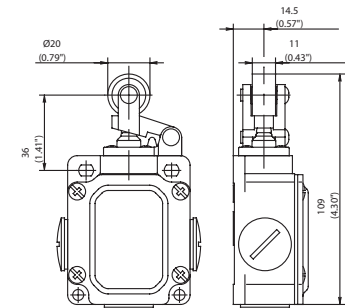
Snap-action system

6033371006
SN2-SU1Z HW



Special feature (on request): available with different actuating directions

Replacement actuator: 3913210553



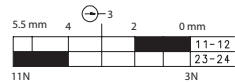
SN2-... DGKW



1 NC / 1 NO

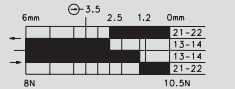
Slow-action system

6033127010
SN2-U1Z DGKW



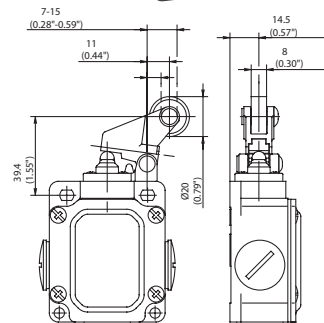
Snap-action system

6033377011
SN2-SU1Z DGKW



Special feature (on request): available with different actuating directions

Replacement actuator: 3918271655

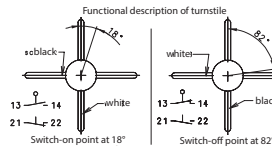


SN2-... AD4K

2 NC

Snap-action system

6133887022
SN2-SA2Z AD4K



Special feature (on request)

Replacement actuator: **3913371712**

without screws, without seals

3992000042

accessory bag (40 screws, 10 seals)

