

# Safety switch with separate actuator **SKI**

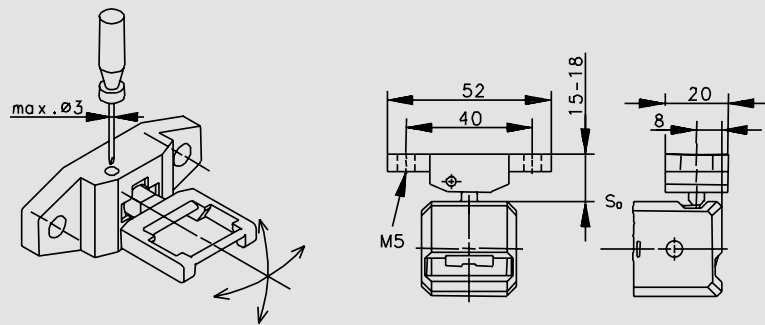
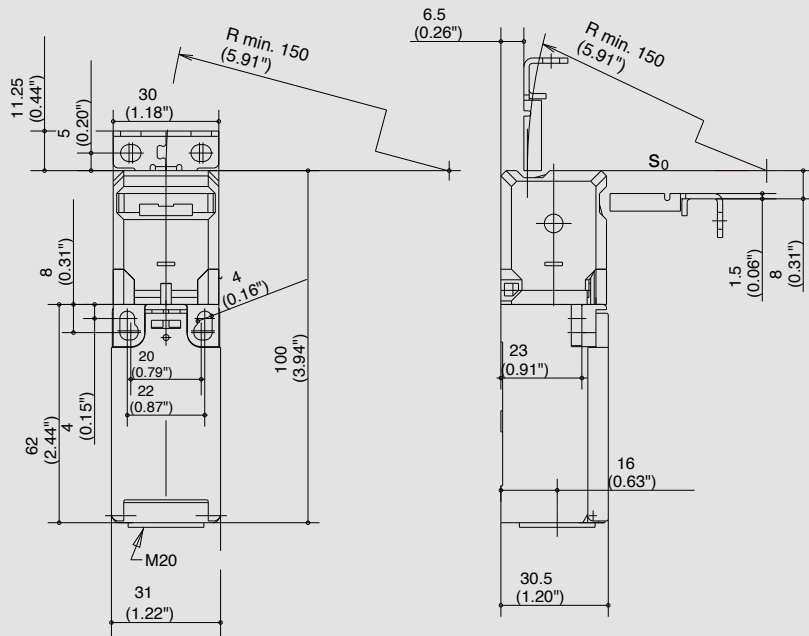


## MANY BENEFITS AT A GLANCE

- Slim design
- Rotatable actuating head
- Can be approached from five directions
- Generous connection space
- Up to three contacts
- Various actuators for almost all requirements
- Low coding according to EN ISO 14119

## Technical data

Electrical data	
Rated operating voltage $U_e$	240 V
Utilisation category	AC-15, $U_e/I_e$ 240 V/3 A
Mechanical data	
Material enclosure/cover	Thermoplastics, glass-fibre reinforced (UL94-V0)
Mechanical lifetime	1 Mio.
Ambient temperature	-30°C to + 80°C
Protection class	IP65 according to IEC/EN 60529
ID for safety engineering	
B10d NC	up to 2 Mio.



### Product selection

Article number	Designation	Contacts	Connection*
6116869252	SKI-UV15Z	2NC/1NO	Standard
6016869189	SKI-A2Z	2NC	Standard
6016819178	SKI-U1Z	1NC/1NO	Standard
6016869180	SKI-A2Z	2NC	M12
6016819179	SKI-U1Z	1NC/1NO	M12



The switch is not delivered with an actuator. Please order the actuator separately.



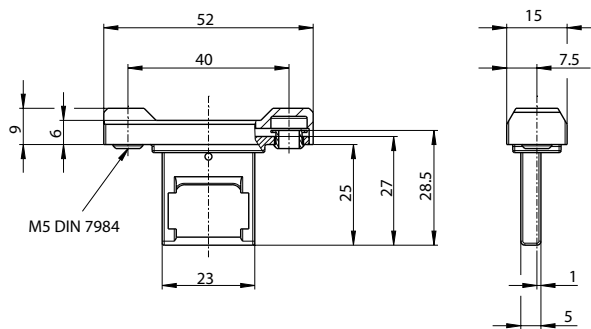
# Actuator for SK, SKI, SKT

**Actuator M1**



**Product selection**

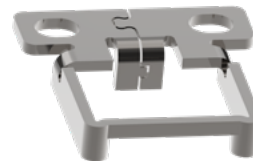
Article number	Designation
6016999190	Actuator M1



**Mechanical data**

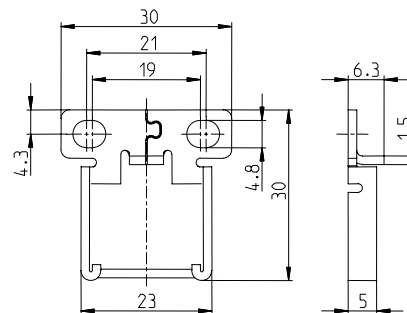
Actuator/Cap	St-Niro/Thermoplastic PA
Minimum actuating radius	R <sub>min</sub> 150 mm

**Actuator M2**



**Product selection**

Article number	Designation
6016999191	Actuator M2



**Mechanical data**

Actuator	St-Niro
Minimum actuating radius	R <sub>min</sub> 150 mm

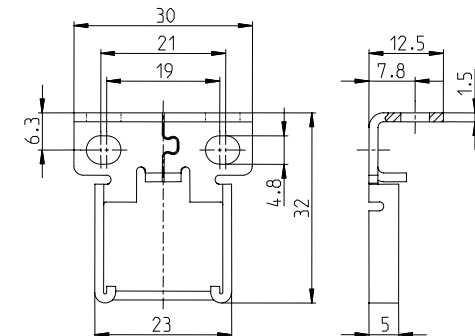
Fastening 90° offset to the actuating direction

**Actuator M3**



**Product selection**

Article number	Designation
6016999192	Actuator M3



**Mechanical data**

Actuator	St-Niro
Minimum actuating radius	R <sub>min</sub> 150 mm

Fastening in actuation direction

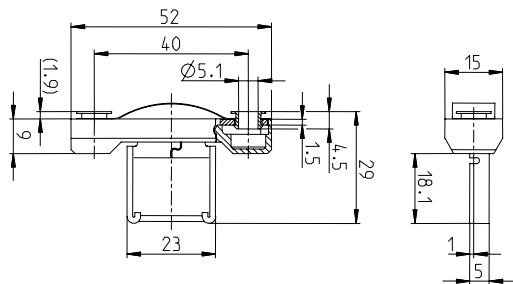
The respective actuator is not included in the scope of delivery of the guard locking and must be ordered separately.

**Actuator M4**



**Product selection**

Article number	Designation
6016999193	Actuator M4



**Mechanical data**

Actuator/Cap	St-Niro/Thermoplastic PA
Minimum actuating radius	$R_{min}$ 150 mm

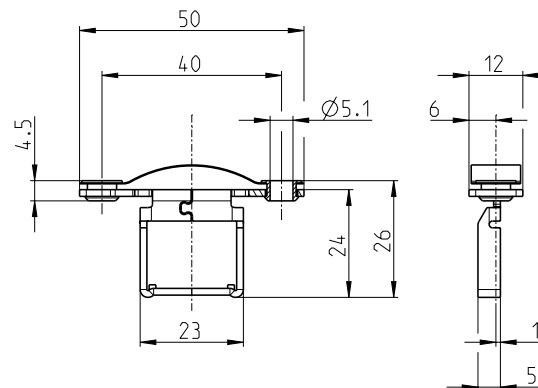
Fastening in actuating direction, with cover and spring

**Actuator M5**



**Product selection**

Article number	Designation
6016999194	Actuator M5



**Mechanical data**

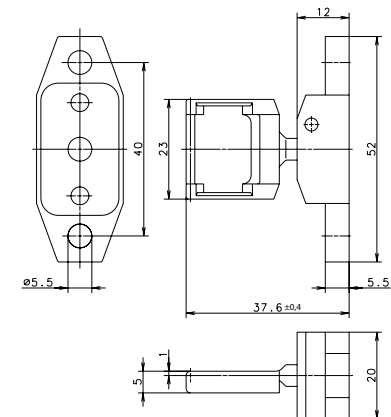
Actuator	St-Niro
Minimum actuating radius	$R_{min}$ 150 mm

**Actuator M6**



**Product selection**

Article number	Designation
6016999195	Actuator M6



**Mechanical data**

Actuator	St-Niro/Brass
Minimum actuating radius	$R_{min}$ 50 mm

Developed for swivel actuation (hook latch), slightly spring-loaded, actuation radius can be preset.