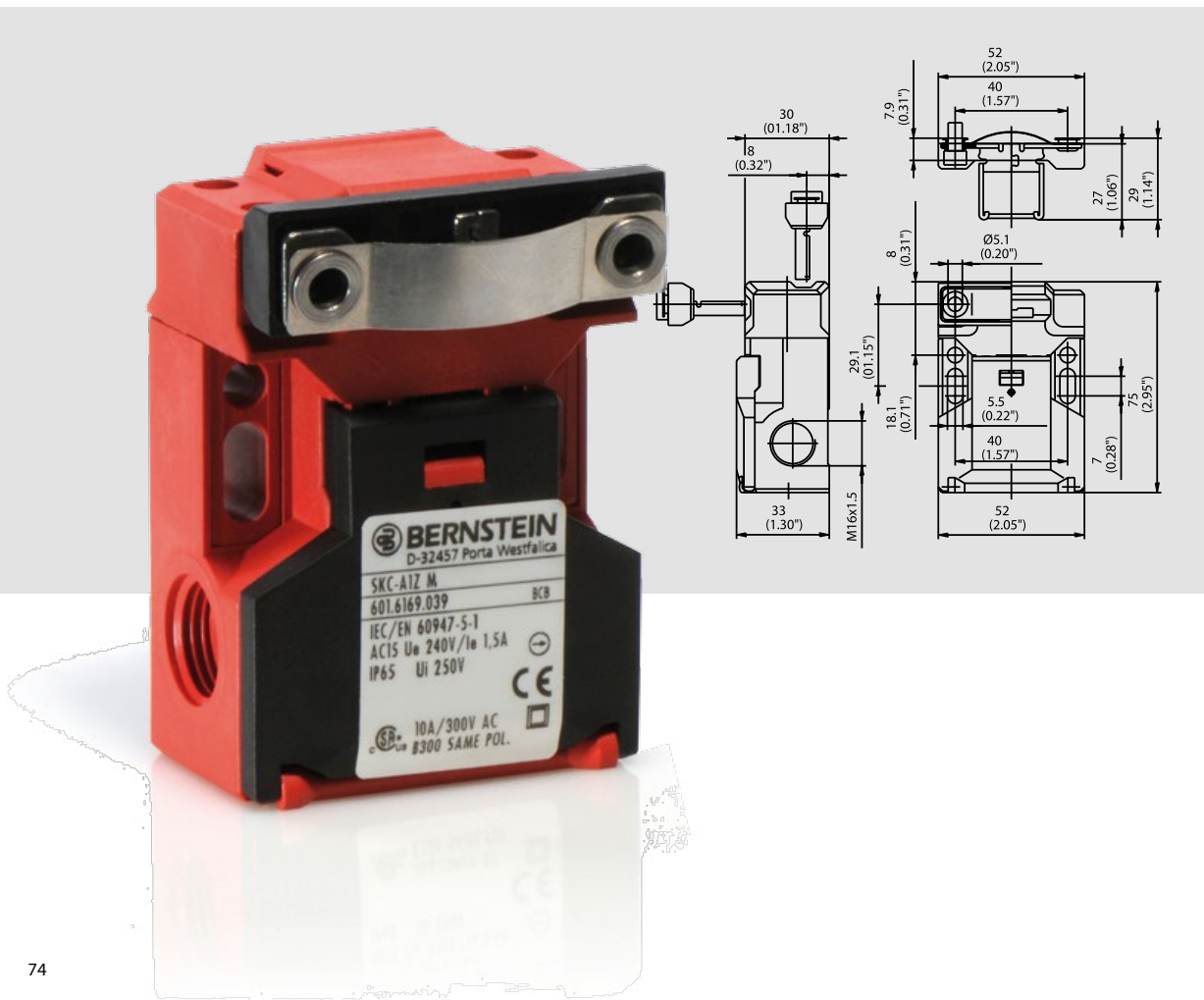


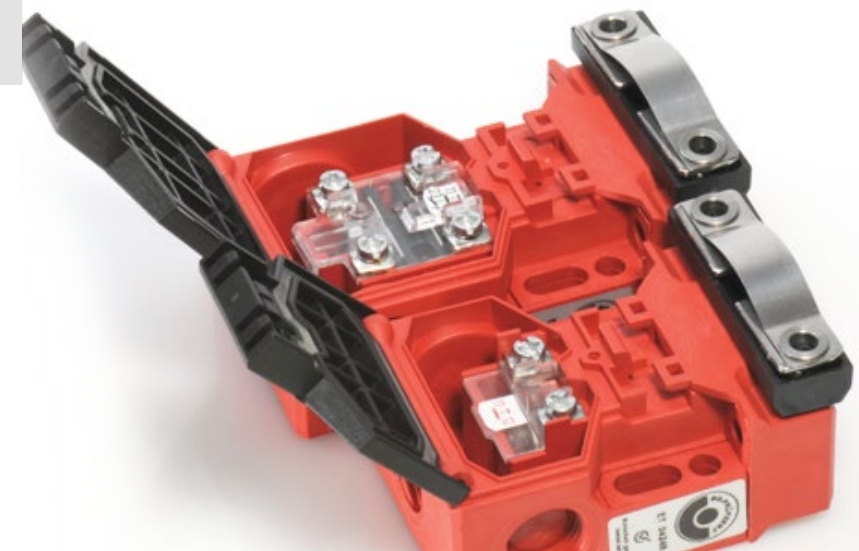
**POSITION SWITCHES** with separated actuator

**Insulated encapsulation  
SKC**



**Good to know ...**

The safety position switch SKC is the 15 mm shorter version of the SK series. Therefore it can be used in more confined installation conditions. It has one contact and offers the same characteristics as the other switches of the SK series.



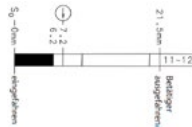


SKC

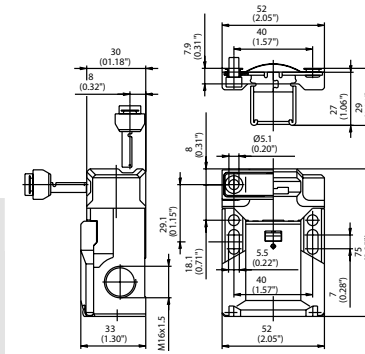
1 NC contact

Standard

**6016169186**  
SKC-A1Z



The switch is not delivered with an actuator.  
Please order the actuator separately.



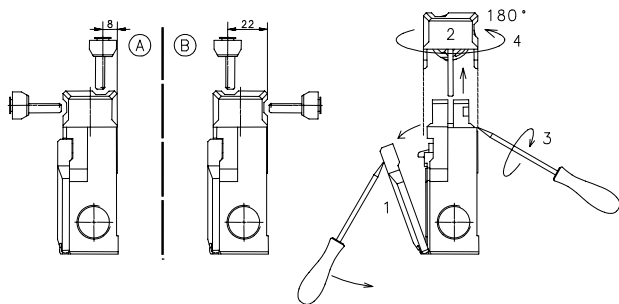
Special features/variants

Actuator selection on page 80 / 81. On request: Higher actuation forces available

## Technical data

### Electrical data

Protection class	II, protective insulation
Design insulation voltage	$U_i$ max. 250 V
Rated operating voltage	$U_e$ max. 240 V AC
Conventional thermoelectric current	$I_{the}$ 5 A
Utilisation category	AC-15, $U_e / I_e$ 240 V / 1,5 A



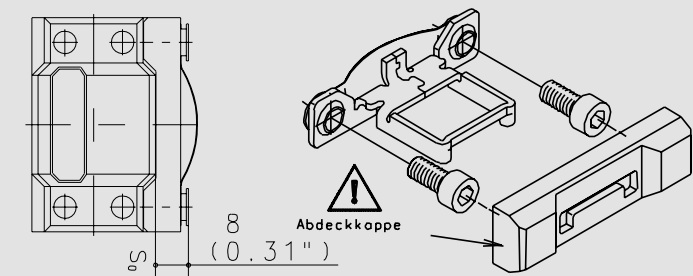
### Mechanical data

Enclosure material	Thermoplastics, glass-fibre reinforced (UL94-V0)
Switching frequency	≤ 30/min
Ambient temperature	-30 °C to +80 °C
Mechanical lifetime	1 × 10 <sup>6</sup> switching cycles
B10d (up to) <sup>1</sup>	2 million
Short-circuit protection device	Safety fuse 6 A gL/gG
Type of connection	Screwed terminals
Conductor cross-sections	Single-wire 0.5 – 1.5 mm <sup>2</sup> Strand with wire-end ferrule 0.5 – 1.5 mm <sup>2</sup>
Cable entry	3 × M16 × 1.5
Protection class	IP65 conforming to IEC/EN 60529

### Standards

VDE 0660 T100, DIN EN 60947-1, IEC 60947-1  
VDE 0660 T200, DIN EN 60947-5-1, IEC 60947-5-1

<sup>1</sup> Depending on switching system.



$R_{min}$  150 mm (5,9")  
SK actuator M4 cpl. w. enclosure  
(Article-No. 3911452116)

The switch is not delivered with an actuator.  
Please order the actuator separately.

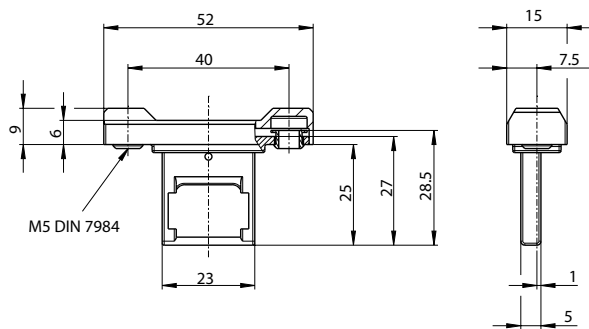
# Actuator for SK, SKI, SKT

**Actuator M1**



**Product selection**

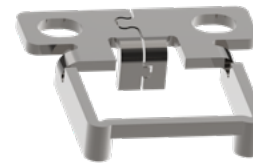
Article number	Designation
6016999190	Actuator M1



**Mechanical data**

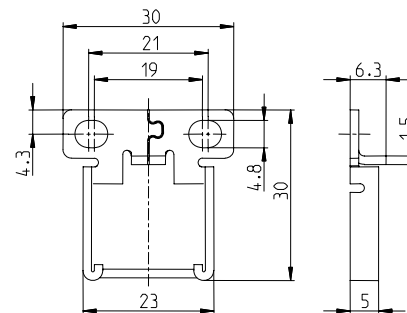
Actuator/Cap	St-Niro/Thermoplastic PA
Minimum actuating radius	R <sub>min</sub> 150 mm

**Actuator M2**



**Product selection**

Article number	Designation
6016999191	Actuator M2



**Mechanical data**

Actuator	St-Niro
Minimum actuating radius	R <sub>min</sub> 150 mm

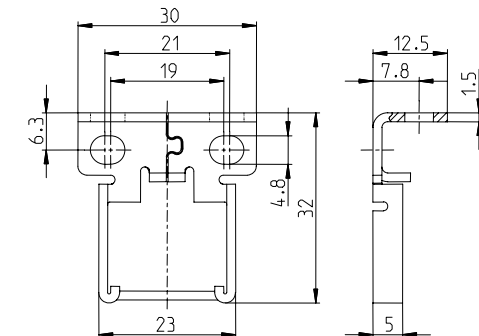
Fastening 90° offset to the actuating direction

**Actuator M3**



**Product selection**

Article number	Designation
6016999192	Actuator M3



**Mechanical data**

Actuator	St-Niro
Minimum actuating radius	R <sub>min</sub> 150 mm

Fastening in actuation direction

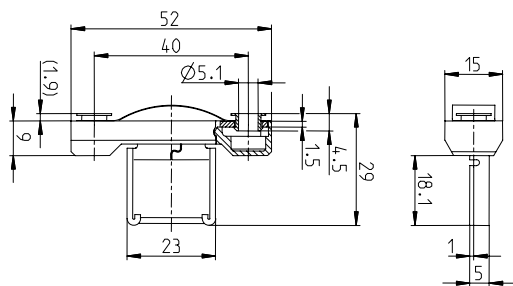
The respective actuator is not included in the scope of delivery of the guard locking and must be ordered separately.

**Actuator M4**



**Product selection**

Article number	Designation
6016999193	Actuator M4



**Mechanical data**

Actuator/Cap	St-Niro/Thermoplastic PA
Minimum actuating radius	R <sub>min</sub> 150 mm

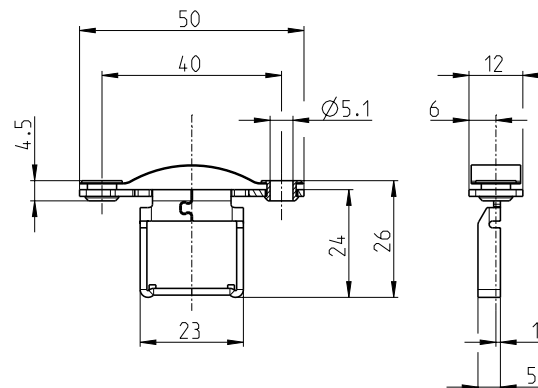
Fastening in actuating direction, with cover and spring

**Actuator M5**



**Product selection**

Article number	Designation
6016999194	Actuator M5



**Mechanical data**

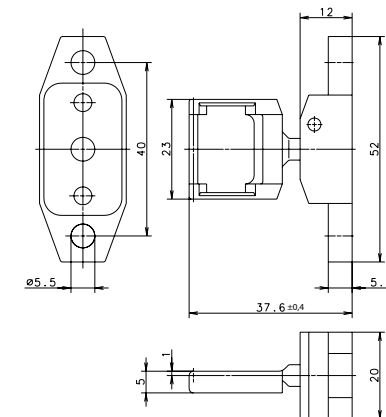
Actuator	St-Niro
Minimum actuating radius	R <sub>min</sub> 150 mm

**Actuator M6**



**Product selection**

Article number	Designation
6016999195	Actuator M6



**Mechanical data**

Actuator	St-Niro/Brass
Minimum actuating radius	R <sub>min</sub> 50 mm

Developed for swivel actuation (hook latch), slightly spring-loaded, actuation radius can be preset.