

Safety switch with separate actuator SK

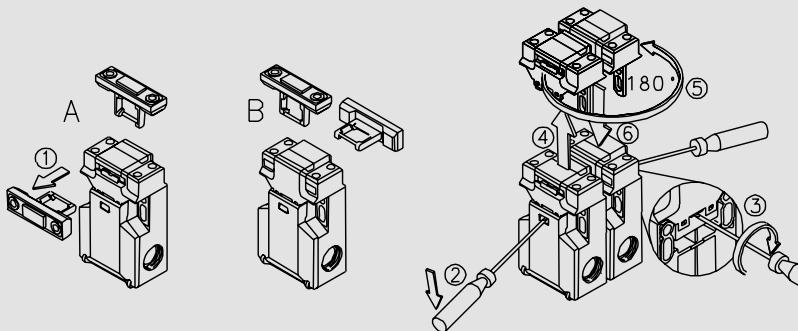
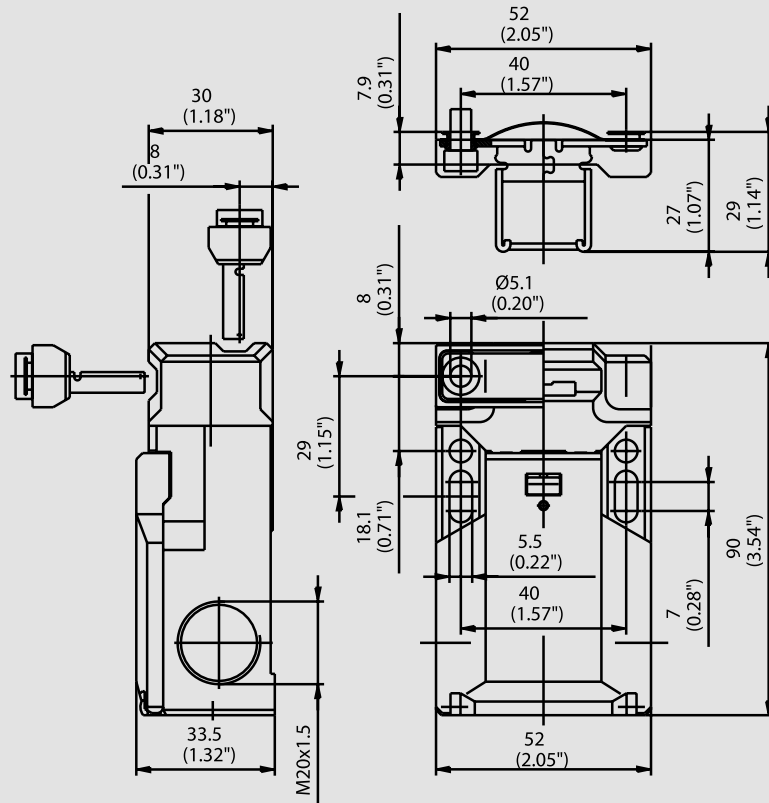


MANY BENEFITS AT A GLANCE

- Cable entry from three sides
- Three directions of actuation
- Up to three contacts
- Optional increased pull-out force
- Low coding according to EN ISO 14119

Technical data

Electrical data	
Rated operating voltage U_e	240 V
Utilisation category	AC-15, U_e / I_e 240 V/1.5 A
Mechanical data	
Material enclosure/cover	Thermoplastics, glass-fibre reinforced (UL94-V0)
Mechanical lifetime	1 Mio.
Ambient temperature	-30°C to + 80°C
Protection class	IP65 according to IEC/EN 60529
ID for safety engineering	
B10d NC	up to 2 Mio.



Product selection

Article number	Designation	Contacts	Connection*
6016169183	SK-UV15Z	2NC/1NO	Standard
6016169182	SK-A2Z	2NC	Standard
6016119181	SK-U1Z	1NC/1NO	Standard
6016169185	SK-A2Z	2NC	M12
6016119184	SK-U1Z	1NC/1NO	M12



The switch is not delivered with an actuator. Please order the actuator separately.



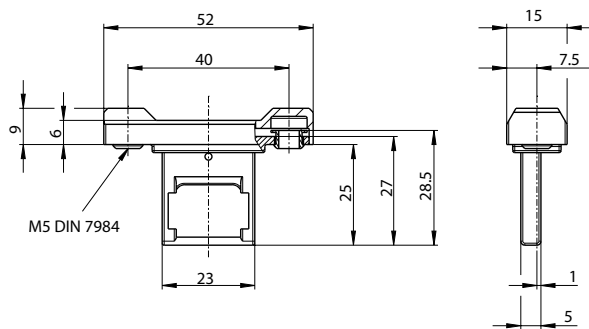
Actuator for SK, SKI, SKT

Actuator M1



Product selection

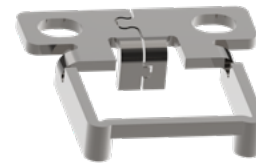
Article number	Designation
6016999190	Actuator M1



Mechanical data

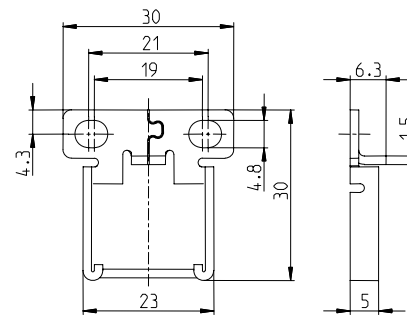
Actuator/Cap	St-Niro/Thermoplastic PA
Minimum actuating radius	R _{min} 150 mm

Actuator M2



Product selection

Article number	Designation
6016999191	Actuator M2



Mechanical data

Actuator	St-Niro
Minimum actuating radius	R _{min} 150 mm

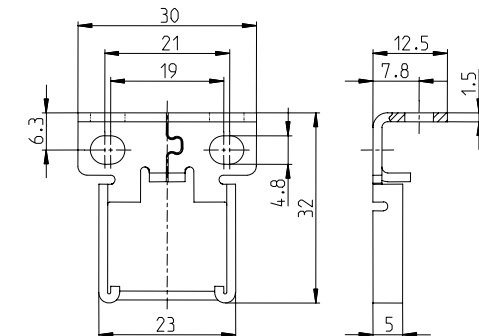
Fastening 90° offset to the actuating direction

Actuator M3



Product selection

Article number	Designation
6016999192	Actuator M3



Mechanical data

Actuator	St-Niro
Minimum actuating radius	R _{min} 150 mm

Fastening in actuation direction

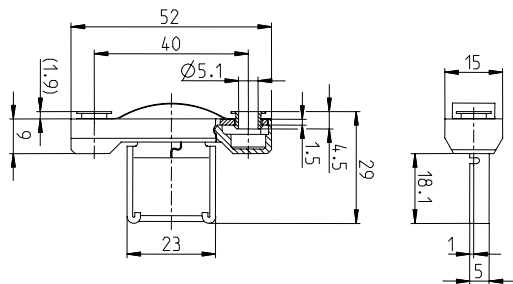
The respective actuator is not included in the scope of delivery of the guard locking and must be ordered separately.

Actuator M4



Product selection

Article number	Designation
6016999193	Actuator M4



Mechanical data

Actuator/Cap	St-Niro/Thermoplastic PA
Minimum actuating radius	R_{min} 150 mm

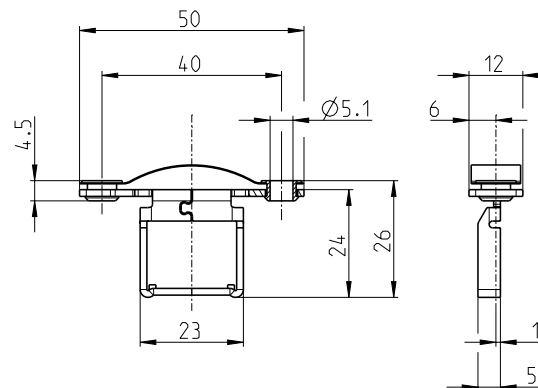
Fastening in actuating direction, with cover and spring

Actuator M5



Product selection

Article number	Designation
6016999194	Actuator M5



Mechanical data

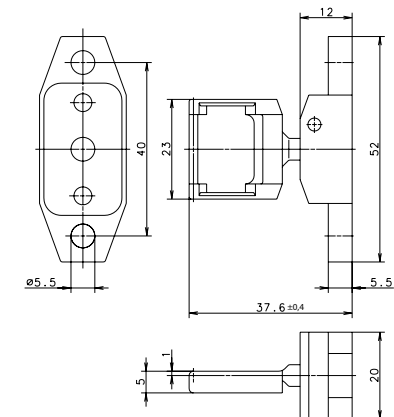
Actuator	St-Niro
Minimum actuating radius	R_{min} 150 mm

Actuator M6



Product selection

Article number	Designation
6016999195	Actuator M6



Mechanical data

Actuator	St-Niro/Brass
Minimum actuating radius	R_{min} 50 mm

Developed for swivel actuation (hook latch), slightly spring-loaded, actuation radius can be preset.