

**SR Series - Safety Rope Pull Switches**



**Quick Fix with E-Stop & Reset**



**Quick Fix with Reset Only**



**Max. span length**

82 Ft. (25 Meters)

**2 NC/2 NO**

**601.1629.067**  
SR-U2Z-NA-QF-100-L0-0-0

Replaces  
**601.1629.031**  
SR-U2Z-NA-QF 100

**4 NO**

**601.1691.077**  
SR-A4Z-NA-QF-100-L0-0-0

Replaces  
**601.1691.052**  
SR-A4Z-NA-QF 100

**2 NC/2 NO**

**601.1629.070**  
SR-U2Z-0-QF-100-L0-0-0

Replaces  
**601.1629.032**  
SR-U2Z-QF 100

**4 NC**

**601.1691.080**  
SR-A4Z-0-QF-100-L0-0-0

Replaces  
**601.1691.049**  
SR-A4Z-QF 100

123 Ft. (37.5 Meters)

**601.1629.068**

SR-U2Z-NA-QF-175-L0-0-0

Replaces  
**601.1629.027**  
SR-U2Z-NA-QF 175

**601.1691.078**

SR-A4Z-NA-QF-175-L0-0-0

Replaces  
**601.1691.053**  
SR-A4Z-NA-QF 175

**601.1629.071**

SR-U2Z-0-QF-175-L0-0-0

Replaces  
**601.1629.024**  
SR-U2Z-QF 175

**601.1691.081**

SR-A4Z-0-QF-175-L0-0-0

Replaces  
**601.1691.050**  
SR-A4Z-QF 175

246 Ft. (75 Meters)

**601.1629.069**

SR-U2Z-NA-QF-300-L0-0-0

Replaces  
**601.1629.019**  
SR-U2Z-NA-QF 300

**601.1691.079**

SR-A4Z-NA-QF-300-L0-0-0

Replaces  
**601.1691.054**  
SR-A4Z-NA-QF 300

**601.1629.072**

SR-U2Z-0-QF-300-L0-0-0

Replaces  
**601.1629.028**  
SR-U2Z-QF 300

**601.1691.082**

SR-A4Z-0-QF-300-L0-0-0

Replaces  
**601.1691.051**  
SR-A4Z-QF 300

**Approvals**



**Technical data**

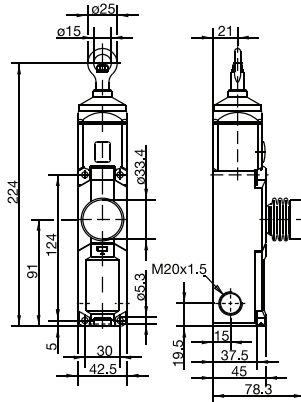
Electrical data		
Rated insulation voltage	$U_i$ max.	250 V AC
Rated operating voltage	$U_e$ max.	240 V
Conventional thermal current	$I_{the}$	10 A
Utilization category	$U_e / I_e$	AC-15, $U_e / I_e$ 240 V / 3 A
Short-circuit protection		6 A gL/gG
Protection class		II, Insulated
Mechanical data		
Enclosure		PA 6 GV (UL94-V0)
Ambient temperature		-25°C to +70°C
Mechanical service life		100,000 Cycles
Switching frequency max.		≤ 20 / min.
Mounting		4 x M5
B10d		10,000
Type of connection		Cage clamp terminal
Conductor cross sections		≤ 1.5 - 2 mm <sup>2</sup>
Cable entry		3 x M20 x 1.5
Protection class		IP67 conforming to IEC/EN 60529
Standards		
VDE 0660 T100, DIN EN 60947-1, IEC 60947-1		
VDE 0660 T200, DIN EN 60947-5-1, IEC 60947-5-1		
VDE 0660 T210, DIN EN 60947-5-5, IEC 60947-5-5		
ISO 13850		

Drawing dimensions in mm

## SR Series - Safety Rope Pull Switches

Max. span length

Cable Ring with Reset Only



82 Ft. (25 Meters)

**2 NC / 2 NO**

**4 NC**

**601.1621.064**  
SR-U2Z-0-LU-100-L0-0-0

**601.1691.074**  
SR-A4Z-0-LU-100-L0-0-0

Replaces  
**601.1621.030**  
SR-U2Z 100

Replaces  
**601.1691.033**  
SR-A4Z 100

123 Ft. (37.5 Meters)

**601.1621.065**  
SR-U2Z-0-LU-175-L0-0-0

**601.1691.075**  
SR-A4Z-0-LU-175-L0-0-0

Replaces  
**601.1621.026**  
SR-U2Z 175

Replaces  
**601.1691.047**  
SR-A4Z 175

246 Ft. (75 Meters)

**601.1621.066**  
SR-U2Z-0-LU-300-L0-0-0

**601.1691.076**  
SR-A4Z-0-LU-300-L0-0-0

Replaces  
**601.1620.020**  
SR-U2Z 300

Replaces  
**601.1691.048**  
SR-A4Z 300

Approvals



Contact type

**2 NC/2 NO (Zb)**

**4 NC**

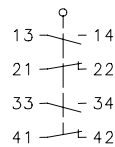
Action contacts

**U2Z**

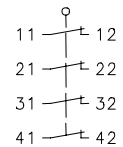
**A4Z**

Circuit symbol

Slow-action contacts

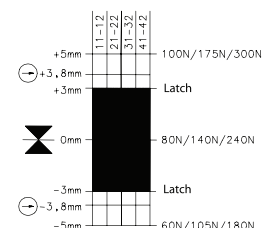
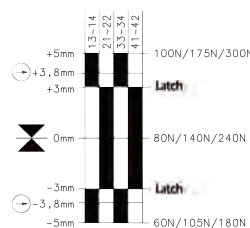


Slow-action contacts



Switching Diagram

■ On  
□ Off



Drawing dimensions in mm