

Altech Universal Digital Multi-Timer

Altech's AMT-Series of Universal Digital Multi-Timers comprises 4 models featuring 8 or 18 timer functions to offer highest flexibility in controlling operations. The time range is adjustable from 0.1s to 999h. An LCD display shows current Run time information.

Features

- Multifunctional Timer (8 or 18 Functions)
- Universal Voltage 24~265 VAC/ DC
- Wide Time Range: 0.1s ~ 999h
- 3 Digit LCD Display for Preset Time and Run Time
- DIN Rail Mounted
- 17.5mm Width

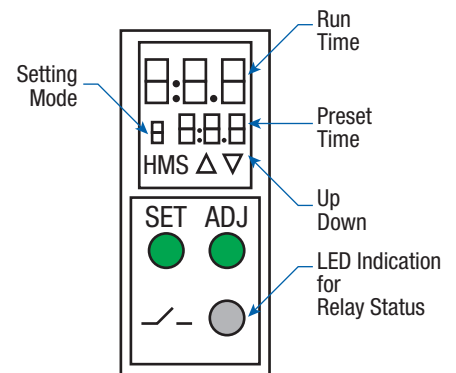


Digital Timers

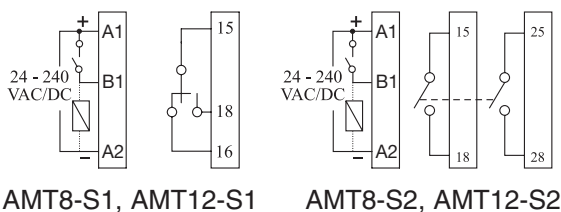
| Cat. No. | AMT8-S1 | AMT8-D2 | AMT12-S1 | AMT12-D2 |
|----------------------------|-------------------------|---------|--|----------|
| Output Contacts | 1 C/O | 2 NO | 1 C/O | 2 NO |
| No. of Timer Functions | 8 | 8 | 18 | 18 |
| Functions / [setting mode] | 1) ON Delay [A] | | 1) ON Delay [Q] | |
| | 2) Cyclic OFF/ ON [b] | | 2) Cyclic OFF/ ON [1] | |
| | 3) Cyclic ON/ OFF [c] | | 3) Cyclic ON/ OFF [2] | |
| | 4) Signal ON/ OFF [d] | | 4) Impulse on Energizing [3] | |
| | 5) Signal OFF Delay [E] | | 5) Accumulative Delay on Signal [4] | |
| | 6) Interval [F] | | 6) Accumulative Delay on Inverted Signal [5] | |
| | 7) Signal OFF/ ON [G] | | 7) Accumulative Impulse on Signal [6] | |
| | 8) One Shot Output [H] | | 8) Signal ON Delay [7] | |
| | | | 9) Inverted Signal ON Delay [8] | |
| | | | 10) Signal OFF Delay [9] | |
| | | | 11) Impulse ON/ OFF [A] | |
| | | | 12) Signal OFF/ ON [b] | |
| | | | 13) Leading Edge Impulse 1 [c] | |
| | | | 14) Leading Edge Impulse 2 [d] | |
| | | | 15) Trailing Edge Impulse 1 [E] | |
| | | | 16) Trailing Edge Impulse 2 [F] | |
| | | | 17) Delayed Impulse [G] | |
| | | | 18) Inverted Signal ON Delay 2 [H] | |

Specifications

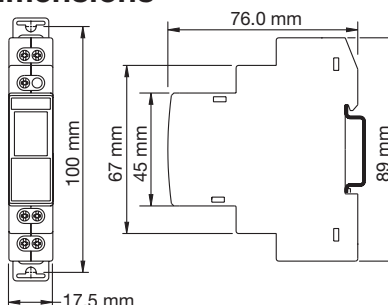
| | |
|-----------------------|--|
| Supply Voltage | 24 - 265 VAC/ DC (50, 60Hz) |
| Power Consumption | 10 VA max. |
| Timing Range | 0.1s ~ 999h |
| Reset Time | 200ms max. |
| Repeat Accuracy | +/-0.5% |
| Output Contact Rating | 8A @ 240 VAC/ 24 VDC (resistive) |
| Electrical Life | 10,000 switching cycles |
| Mechanical Life | 2,000,000 switching cycles |
| AC-15 Rating | Rated Voltage (Ue): 125/ 240V, Rated Current (Ie): 3/1.5A |
| DC-13 Rating | Rated Voltage (Ue): 125/ 250V, Rated Current (Ie): 2/0.22/0.1A |
| Operating Temperature | -10°C ~ +55°C (+14°F ~ 131°F) |
| Storage Temperature | -20°C ~ +65°C (-4°F ~ 149°F) |
| Weight | 85g (0.14lb.) |
| Protection Enclosure | IP30 |
| Protection Terminals | IP20 |
| Torque | 0.40 Nm (3.5 lb.in.) |
| Terminal Wire Size | 0.3-2.5 mm ² (22-14 AWG) |



Connection Diagrams



Dimensions



Scan this QR code for more information.



Altech Universal Multi-Timer

Altech's Universal Multi-Timers comprises 2 models featuring 2 or 10 timing functions to offer highest flexibility in controlling operations. The time range is adjustable from 0.1s to 100h. Dials on the front make it easy to use.

Features

- Multifunctional Timer (10 Functions)
- Assymmetric Timer (2 Functions)
- Universal Voltage 12-265V AC/ DC
- Wide Time Range: 0.1s ~ 100h
- LED Indicator for Power and Relay Status
- DIN Rail Mounted
- 17.5mm Width



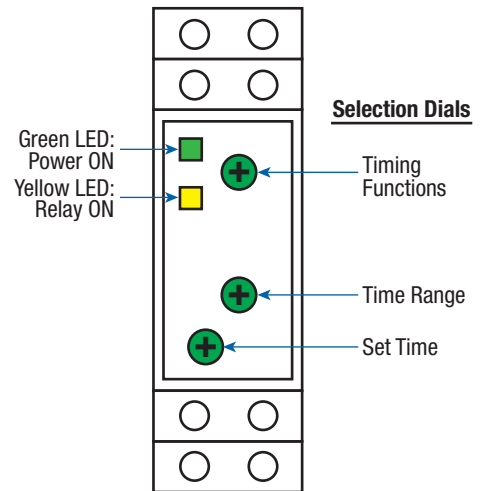
Digital Timers

| CAT. NO. | AMT10-S1 | AMTAS-S1 |
|------------------------|---------------------------------|------------------------|
| Output Contacts | 1 C/O | 1 C/O |
| No. of Timer Functions | 10 | 2 |
| Functions | 1) Signal ON Delay | 1) Assymmetric ON/ OFF |
| | 2) Cyclic ON/ OFF | 2) Assymmetric OFF/ ON |
| | 3) Cyclic OFF/ ON | |
| | 4) Signal OFF Delay | |
| | 5) Signal OFF/ ON | |
| | 6) Accumulative Delay on Signal | |
| | 7) Impulse ON/ OFF | |
| | 8) Leading Edge Impulse | |
| | 9) Trailing Edge Impulse | |
| | 10) Leading Edge Bi-stable | |

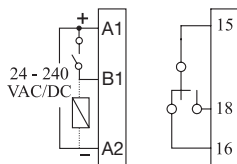
SPECIFICATIONS

| | |
|-----------------------|--|
| Supply Voltage | 12 - 265 VAC/ DC (50, 60Hz) |
| Power Consumption | 2 VA max. |
| Timing Range | 0.1s ~ 100h |
| Reset Time | 200ms max. |
| Repeat Accuracy | +1.0% |
| Output Contact Rating | 8A @ 240V AC / 5A@240V DC (resistive) |
| Electrical Life | 10,000 switching cycles |
| Mechanical Life | 1,000,000 switching cycles |
| AC-15 Rating | Rated Voltage (Ue): 125/ 240V, Rated Current (Ie): 3/1.5A |
| DC-13 Rating | Rated Voltage (Ue): 125/ 250V, Rated Current (Ie): 2/0.22/0.1A |
| Operating Temperature | -10°C ~ +60°C (+14°F ~ 131°F) |
| Storage Temperature | -15°C ~ +70°C (-4°F ~ 149°F) |
| Weight | 70g (0.14lb.) |
| Protection Enclosure | IP30 |
| Protection Terminals | IP20 |
| Torque | 0.60 Nm (6 lb.in.) |
| Terminal Wire Size | 0.3-2.5 mm ² (18-10 AWG) |

DISPLAY FUNCTIONS

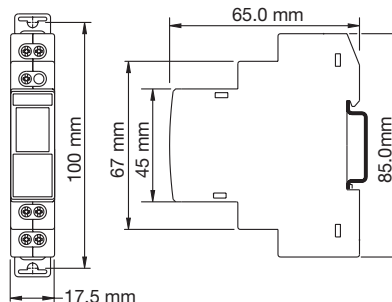


CONNECTION DIAGRAMS



AMT10-S1, AMTAS-S1

DIMENSIONS



Altech Digital Time Switch

Altech's ATS Series of Digital Time Switches comprises 6 models featuring Precise Time Programming for Daily/ Weekly (ATS-C) or Pulse (ATS-P) switching. An LCD displays shows current Timing and Function information.



Features

- 25 ON/ OFF Programs (16 ON Programs for Pulse version)
- LCD Display for Time and Program Information
- Various Supply voltages
- Keypad Lockable
- 12/ 24h time format
- Settable Daylight Savings Time
- Simple Manual Override
- DIN Rail Mount

| CAT. NO. | Chrono Version | Pulse Version |
|-----------------------------|---------------------|-------------------|
| Supply Voltage | ATS-C120 | ATS-P120 |
| 110-240V AC | ATS-C12 | ATS-P12 |
| 12V DC | ATS-C24 | ATS-P24 |
| 24V DC | | |
| Power Consumption | 4 VA max. | 4 VA max. |
| Programs | 25 ON/ OFF Programs | 16 Pulse Programs |
| Minimum Switching Time | 1min | 1s |
| Programmable Pulse duration | - | 1-59s |

DESCRIPTION

The standard timings version (**ATS-C**) and Pulse version (**ATS-P**) essentially differ in their programmed ON/OFF duration.

Chrono Version

The **ATS-C** Series allows daily/ weekly switching times with a minimum duration of 1min. 25 ON/ OFF programs can be configured. Application examples are Lighting applications, illuminated advertising displays, HVAC and Pump applications.

Pulse Version

The Pulse version, **ATS-P** series, allows pulse operations to be scheduled with duration 1-59s. Application Examples are scheduling Sirens, bells, etc.

OPERATING MODES

| Mode | Chrono Version | Pulse Version |
|----------|-----------------------------------|----------------|
| AUTO | Program ON | Program On |
| ON AUTO | Instant ON until next Auto event | - |
| AUTO OFF | Instant OFF until next Auto event | - |
| ON | Continuous ON | Continuous ON |
| OFF | Continuous OFF | Continuous OFF |

SPECIFICATIONS

Functional

| | |
|------------------|---|
| Display | 3 Line Text LCD |
| Clock Resolution | 1 minute |
| Clock Mode | 12h (AM/ PM) or 24h |
| Clock Accuracy | +/- 2s above operating temperature |
| LED Indicator | ON: relay activated, OFF: relay deactivated |

Output

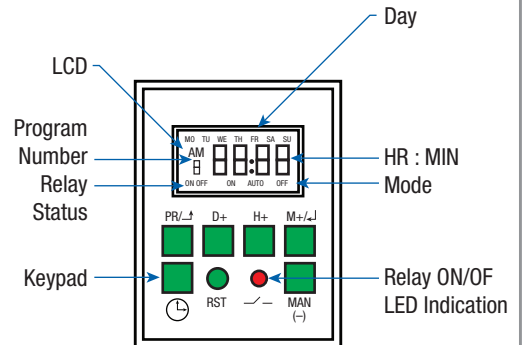
| | |
|-----------------------|--|
| Output Configuration | 1 x SPDT (C/O) |
| Output Contact Rating | 16A (NO), 5A (NC) @ 240VAC/ 24VDC (resistive) 6A @ 250VAC, cosΦ=0.6 (inductive) |

| | |
|-----------------|---|
| Electrical Life | 30,000 switching cycles |
| AC-15 Rating | 250VAC/ 6.0A, cosΦ=0.6, 85°C |
| DC-13 Rating | Rated Voltage (Ue): 24VDC, Rated Current (Ie): 2.0A |

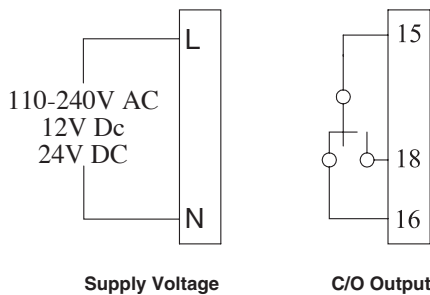
Material

| | |
|-----------------------|------------------------------------|
| Operating Temperature | -10°C - 55°C (14°F - 131°F) |
| Storage Temperature | -10°C - 60°C (14°F - 140°F) |
| Protection Enclosure | IP40 (Enclosure), IP20 (Terminals) |
| Housing | UL94-V0 |
| Torque Terminals | 0.54 Nm (3.5lb.in.), M2.5 screw |
| Terminal Wire Size | 0.2-3.3mm ² (24-12AWG) |
| Weight | 110g (0.24lb.) |

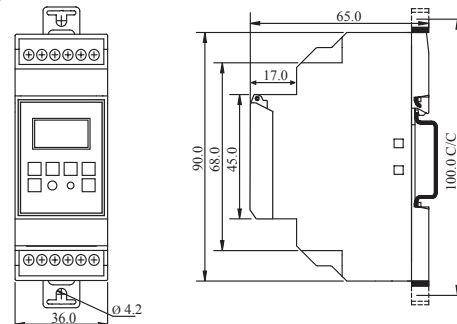
DISPLAY FUNCTIONS



CONNECTION DIAGRAMS



DIMENSIONS



Altech Programmable Panel-Mount Digital Multi-Timer

Altech's AMT33 Series of Programmable Panel-Mount Digital Multi-Timers comprises 2 models featuring 33 Timing Functions and 2 separate Outputs with selectable Timing modes for maximum flexibility in automation and control applications. Timing Range is adjustable from 0.1s to 999 days. A Digital 7-Segment shows current Run Time information and Input/Output states.



FEATURES

- 33 Built-in Timing Functions
- Supply Voltage 110-240 VAC
- 7 Segment Digital LED Display
- 2 Separate Output Channels
- Individually selectable Timing Functions
- Wide Timing Range 0.1s - 999 days
- Compact Design
- Panel & DIN rail (11-pin socket) mount

CAT. NO.

Mounting

AMT33-S2

Panel Mount

AMT33-S2-11

DIN/ 11-pin Socket Mount

SPECIFICATIONS

Electrical

| | |
|-----------------------------|-------------------------------------|
| Supply Voltage | 110-240VAC (-20% to +10%), 50/ 60Hz |
| Power Consumption | 9 VA max. |
| Timing Range | 0.1s - 999 days |
| Reset Time/ Initiation Time | max. 200ms/ 100ms |
| Timing Accuracy | +/- 0.01% |

Input

| | |
|---------------------|---|
| Input Signal | High Range: 85-265VAC/ 100-265DC Low Range: 24-60V AC/DC |
| Signal Sensing Time | 50ms max. (10ms for DC) |
| Signal Wait Period | 100ms @ Power on/ signal based modes |
| Signal Isolation | 2kV |

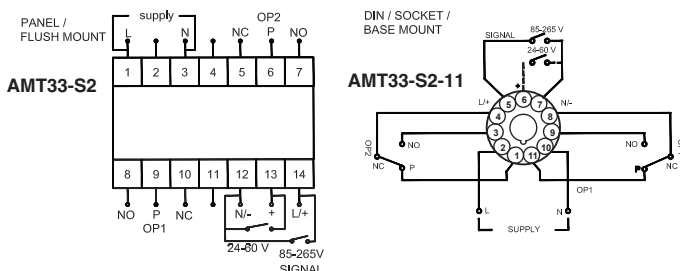
Output

| | |
|-----------------------|---|
| Output Configuration | 2 x SPDT (C/O) |
| Output Contact Rating | 5A (NO), 3A (NC) |
| Electrical Life | 10,000 switching cycles |
| Mechanical Life | 500,000 switching cycles |
| AC-15 Rating | 250VAC/ 2A, cosΦ=0.6, 85°C |
| DC-13 Rating | Rated Voltage (Ue): 24VDC, Rated Current (Ie): 2.0A |

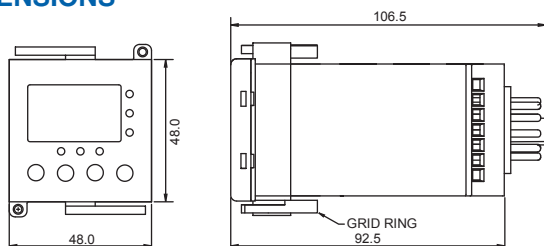
Material

| | |
|-----------------------|------------------------------------|
| Operating Temperature | -5°C - 55°C (23°F - 131°F) |
| Storage Temperature | -10°C - 60°C (14°F - 140°F) |
| Protection Enclosure | IP30 (Enclosure), IP20 (Terminals) |
| Torque Terminals | 0.50 Nm (3.5lb.in.), M3 screw |
| Terminal Wire Size | 0.12-2.0mm ² (26-14AWG) |
| Weight | 160g (0.35lb) |

CONNECTION DIAGRAMS



DIMENSIONS



TIMING FUNCTIONS

| | |
|---------|---|
| MODE 00 | ON Delay |
| MODE 01 | ON Delay constant supply 2 |
| MODE 02 | ON Delay constant supply 3 |
| MODE 03 | ON Delay (Control Switch resettable) |
| MODE 04 | Signal ON Delay |
| MODE 05 | Inverted Signal ON Delay |
| MODE 06 | Inverted Signal ON Delay 2 |
| MODE 07 | Signal OFF Delay |
| MODE 08 | OFF Delay constant supply 2 |
| MODE 09 | Cyclic ON/ OFF |
| MODE 10 | Cyclic OFF/ ON |
| MODE 11 | Assymetric Cycle Pulse Start |
| MODE 12 | Assymetric Recycler Pulse Start 2 |
| MODE 13 | Signal ON/ OFF Delay |
| MODE 14 | Signal ON/ OFF Delay 2 |
| MODE 15 | Signal OFF/ ON |
| MODE 16 | Impulse on Energizing |
| MODE 17 | Impulse ON/ OFF |
| MODE 18 | Accumulative Delay ON Signal |
| MODE 19 | Accumulative Delay ON Inverted Signal |
| MODE 20 | Accumulative Impulse ON Signal |
| MODE 21 | Leading Edge Impulse 1 |
| MODE 22 | Leading Edge Impulse 2 |
| MODE 23 | Trailing Edge Impulse 1 |
| MODE 24 | Trailing Edge Impulse 2 |
| MODE 25 | Delayed Impulse 1 |
| MODE 26 | Delayed Impulse 2 |
| MODE 27 | Delayed Pulse constant supply, power based |
| MODE 28 | Delayed Pulse (Remote Trigger) |
| MODE 29 | Delayed Pulse constant supply 2 |
| MODE 30 | ON Pulse (Control Switch resettable)/ Watchdog Type |
| MODE 31 | On Pulse (Supply Reset) |
| MODE 32 | Leading Edge Bi-stable or Step Relay |

DISPLAY FUNCTIONS

