

Our Newly Designed FM Foot Switch



Altech Corp.®

Serving the Automation & Control Industry



Heavy Base Model

FM1 Foot Switch

Compact, one pedal foot switch Standard Features

- Housing: Black Polyamide and pedal cover
- Protection Level: IP 43 and IP 65
- Switch Insert: Snap action microswitch, cCSAus approved
- Electrical Rating: 5A/125-250V AC
- Contact Types: Momentary, maintained, or two stage momentary
- Circuit: SPDT-SB, DPDT-SB, 2x SPDT-SB
- Strain Relief: PP Cable Gland
- With or Without Cable
- Cable: Multi conductor, PVC, SJT, 2 m (6 ft. - 6 in.)
- Temperature Range: -20°C up to +80°C (-4°F up to +176°F)

Options

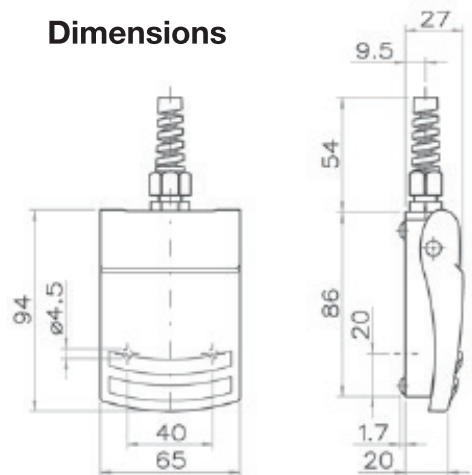
- Protection Level: up to IP68
- Switch Insert:
 - Gold plated contacts for low current applications
Electrical Rating: 0.1A/125V AC
 - Silver-Nickel plated contacts
Electrical Rating: 10.1A, (1/4HP)/125-250V AC
- Strain Relief:
 - Standard straight-through (IP 68)
 - Bend protection (IP 68)
 - Trumpet Pull/Bend protection (IP 68)
- Cable:
 - Shielded cable
 - Per customer specifications
- Connectors:
 - Per customer specifications
- IEC 60601-1 certified
- Metal Top Guard or Heavy Metal Base



Hooded Model



Dimensions



Also available in versions with up to 6 pedals

Part Numbers

Type	Catalog No.	Circuit Function	Electrical Rating	Switch Contact Type	Cable	IP Rating
FM1 ... L1 (Solderable terminals, without cable)						
FM1 SU1 L1	51.601	SPDT-SB	5A/250V AC	Snap Action, Momentary	None (Solderable)	IP 43
FM1 SU2 L1	51.607	DPDT-SB	5A/250V AC	Snap Action, Momentary	None (Solderable)	IP 43
FM1 SU1R L1	51.604	SPDT-SB	5A/250V AC	Snap Action, Maintained	None (Solderable)	IP 43
FM1 SU2R L1	51.610	DPDT-SB	5A/250V AC	Snap Action, Maintained	None (Solderable)	IP 43
FM1 SU1DSU1 L1	51.613	2x SPDT-SB	5A/250V AC	Snap Action, Two Stage Momentary	None (Solderable)	IP 43
FM1...FI (2 Meter cable, IP43)						
FM1 SU1 F1	51.602	SPDT-SB	5A/250V AC	Snap Action, Momentary	20 AWG/3 Cond.	IP 43
FM1 SU2 F1	51.608	DPDT-SB	5A/250V AC	Snap Action, Momentary	20 AWG/6 Cond.	IP 43
FM1 SU1R F1	51.605	SPDT-SB	5A/250V AC	Snap Action, Maintained	20 AWG/3 Cond.	IP 43
FM1 SU2R F1	51.611	DPDT-SB	5A/250V AC	Snap Action, Maintained	20 AWG/6 Cond.	IP 43
FM1 SU1DSU1 F1	51.614	2x SPDT-SB	5A/250V AC	Snap Action, Two Stage Momentary	20 AWG/6 Cond.	IP 43
FM1 ... F2 (2 Meter cable, IP65)						
FM1 SU1 F2	51.603	SPDT-SB	5A/250V AC	Snap Action, Momentary	20 AWG/3 Cond.	IP 65
FM1 SU2 F2	51.609	DPDT-SB	5A/250V AC	Snap Action, Momentary	20 AWG/6 Cond.	IP 65
FM1 SU1R F2	51.606	SPDT-SB	5A/250V AC	Snap Action, Maintained	20 AWG/3 Cond.	IP 65
FM1 SU2R F2	51.612	DPDT-SB	5A/250V AC	Snap Action, Maintained	20 AWG/6 Cond.	IP 65
FM1 SU1DSU1 F2	51.615	2x SPDT-SB	5A/250V AC	Snap Action, Two Stage Momentary	20 AWG/6 Cond.	IP 65

Pedal Color
 B = Black
 W = White
 R = Red
 GL = Light Green
 LG = Light Grey
 G = Grey
 Y = Yellow
 BL = Blue
 GD = Dark Green

Contact Configuration

Circuit Function	Contact Symbol	Other common expressions used	Description
SPDT-SB (Single Pole, Double Throw, Single Break)		<ul style="list-style-type: none"> Form C Break, Make Changeover 	With a SPDT-SB contact, one circuit opens at almost the same time another circuit closes. The contact can also be wired as a n.o. (contacts C and 2) or a n.c. (contacts C and 1).
DPDT-SB (Double Pole, Double Throw, Single Break)		<ul style="list-style-type: none"> Form CC 2x Break, Make 2x Changeover 	Twice the function of a SPDT-SB.
2x SPDT-SB (2x Single Pole, Double Throw, Single Break)		<ol style="list-style-type: none"> 1. Stage SPDT-SB* 2. Stage SPDT-SB* (* Form C; Break, Make; Changeover)	1 SPDT-SB contact before the pressure point and 1 SPDT-SB contact beyond the pressure point.

Altech Corporation
 35 Royal Road
 Flemington, NJ 08822-6000
 P 908.806.9400 • F 908.806.9490
 www.altechcorp.com

Altech Corp.® 590-2000
 Printed November 2015

Learn More @

www.altechcorp.com