

# Altech Corp.®

*Your Source for Automation & Control Components*



**WIRING DEVICES - IEC 60309 SERIES II**  
**PIN AND SLEEVE 20/30A - UL1682**

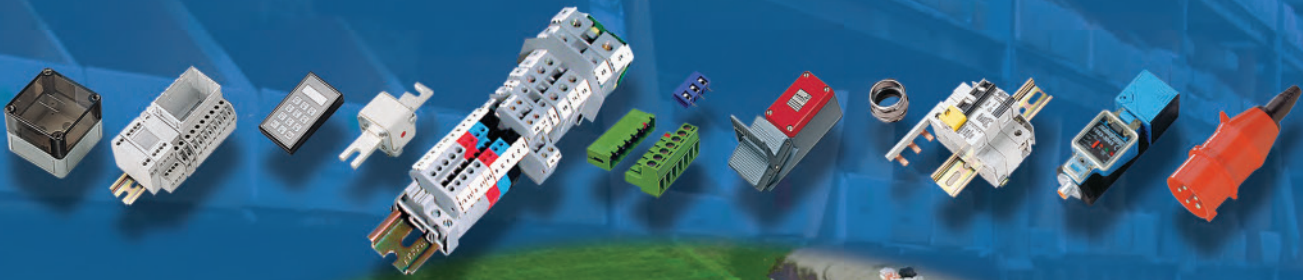


# Pin & Sleeves

Since 1984, Altech Corporation has grown to become a leading supplier of automation and industrial control components. Headquartered in Flemington, NJ, Altech has an experienced staff of engineering, manufacturing and sales personnel to provide the highest quality products with superior service. This is the Altech Commitment!

Altech's line of industrial enclosures are manufactured by els Spelsberg, a company well known in Europe for its quality enclosures. Their fully automated manufacturing facility produces more than 100,000 enclosures per day. At any given time, approximately one million enclosures of various sizes and types are in inventory, ready for immediate shipment to customers worldwide.

Our well trained technical experts welcome the opportunity to answer your technical questions and provide solutions to your automation and control needs. Give us a call or visit [www.altechcorp.com](http://www.altechcorp.com).



## Quality Commitment

Altech's control components meet diverse national and international standards such as UL, NEC, CSA, IEC, VDE and more. Altech provides superior customer service and delivery through Total Quality Management and Continuous Process Improvement. Altech is ISO 9001 approved. We perform these services with honesty and integrity and are committed to achieve these goals.





# Table of contents



## General information



page **4-5**

## Product information



page **6-7**

## Plugs IP44



page **8**

## Plugs IP67



page **9**

## Connectors IP44



page **10**

## Connectors IP67



page **11**

## Receptacles flange straight IP44



page **12**

## Receptacles flange straight IP67



page **13**

## Receptacles flange angled IP44



page **14**

## Receptacles flange angled IP67



page **15**

## Receptacles wall mount IP44



page **16**

## Receptacles wall mount IP67



page **17**

## Inlets flange straight IP44



page **18**

## Inlets flange straight IP67



page **19**

## Inlets wall mount IP44



page **20**

## Inlets wall mount IP67



page **21**

## Technical data & fields of application



page **22-25**

## Overview & quick ordering system



page **26-27**

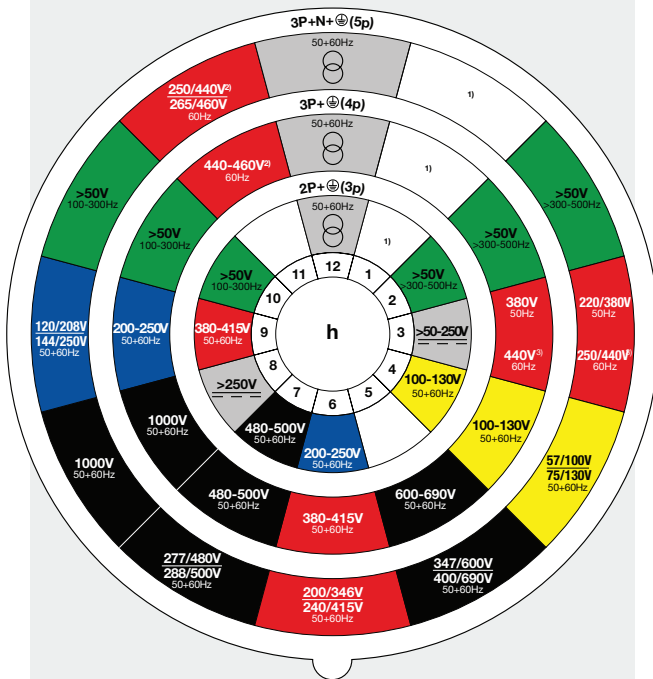


# GENERAL INFORMATION

## Clock positions (for appliances >50V)

Position of the earthing contact - viewed from frontside of socket or connector:

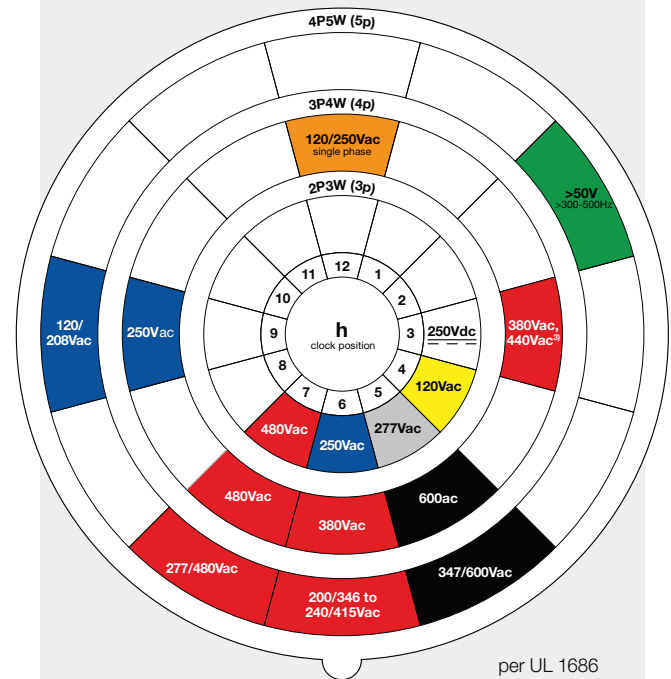
### International Rating - Series I



- 1) Clock position not standardized- free for use for special applications
- 2) Mainly for ship installations
- 3) Only for refrigerated containers

For our complete product line of Series I products, check out our full line catalog @ [www.pcelectric.com](http://www.pcelectric.com)

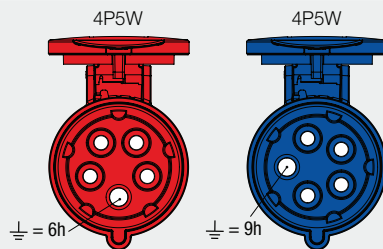
### North American Rating - Series II



per UL 1686

Example:

Position of the earthing contact - viewed from frontside of socket or connector:



## Color codes IEC 60309 SERIES I

For ease of identification of the various voltages and frequencies all CEE plugs and sockets are color coded.

Rated operating voltage:	20-25V	40-50V	100-130V	200-250V	380-480V	500-1000V	>60-500Hz	no colour code
Color: 1) 2)	violet	white	yellow	blue	red	black	green	grey

1) For frequencies over 60 Hz up to and including 500 Hz, the colour green may be used, if necessary, in combination with the colour for the rated operating voltage.

2) In countries where accessories of series II current ratings are used, the colour orange is reserved for 125/250Vac and the colour grey is reserved for 277Vac accessories.



## CEE and IEC

The term „CEE“ generally refers to Industrial Plugs and Sockets that comply with International Standard IEC 60309.

CEE is the abbreviation of „International Commission on rules for the approval of Electrical Equipment“.

### CONFORMITY TO STANDARDS

CEE plugs and sockets are internationally normalized by IEC 60309-1 and IEC 60309-2 equivalent to the European Norms EN 60309 part 1 and EN 60309 part 2.

IEC is the „International Electrotechnical Commission“ - which is the world organization for international standardization of electrical equipment.

### SYSTEM

The standard CEE plugs and sockets according to EN 60309 respectively IEC 60309 are designed in their main dimensions in a way that plugs and sockets with the same rated currents, nominal working voltage ranges, the same number of poles and frequency of different producers are compatible.

In order to prevent the insertion of plugs and sockets of different voltages and frequencies, 12 positions of the earthing contact are assigned to the polarizing slot of the skirt of a socket.

The number with the following letter „h“ indicates the position of the earth contact tube, comparing the front side of the socket or connector with the face of a clock. The keyway is situated at 6 o'clock.

## Reference standards

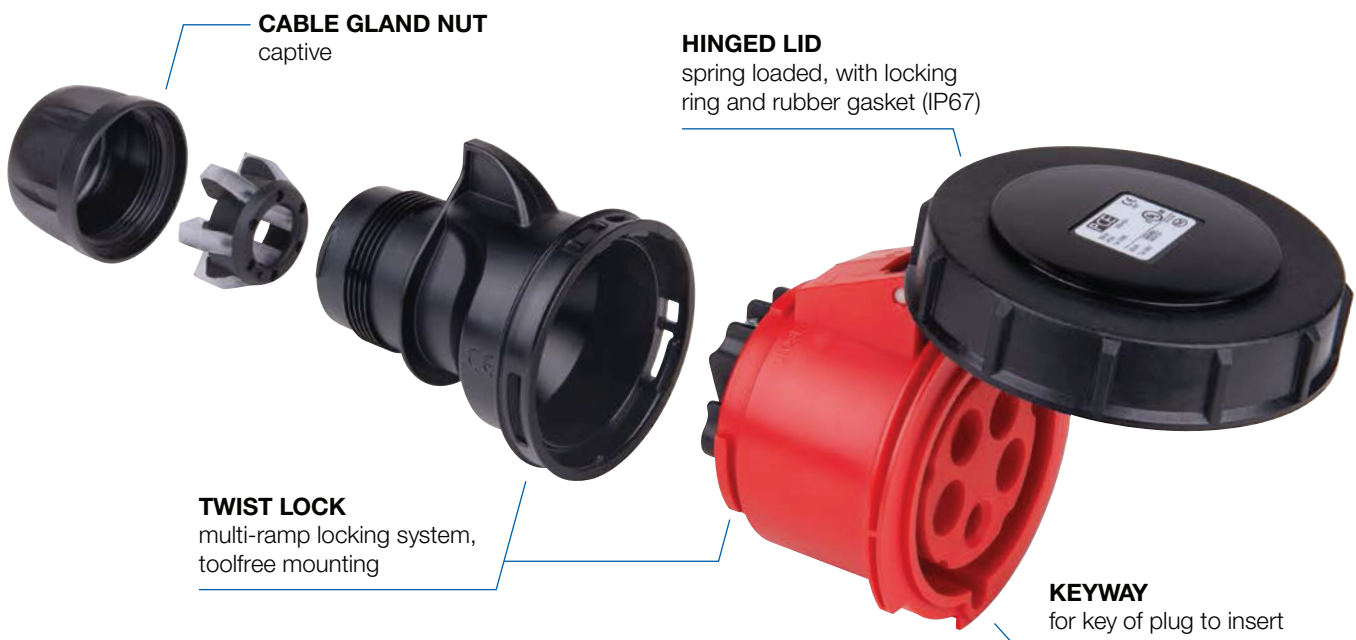
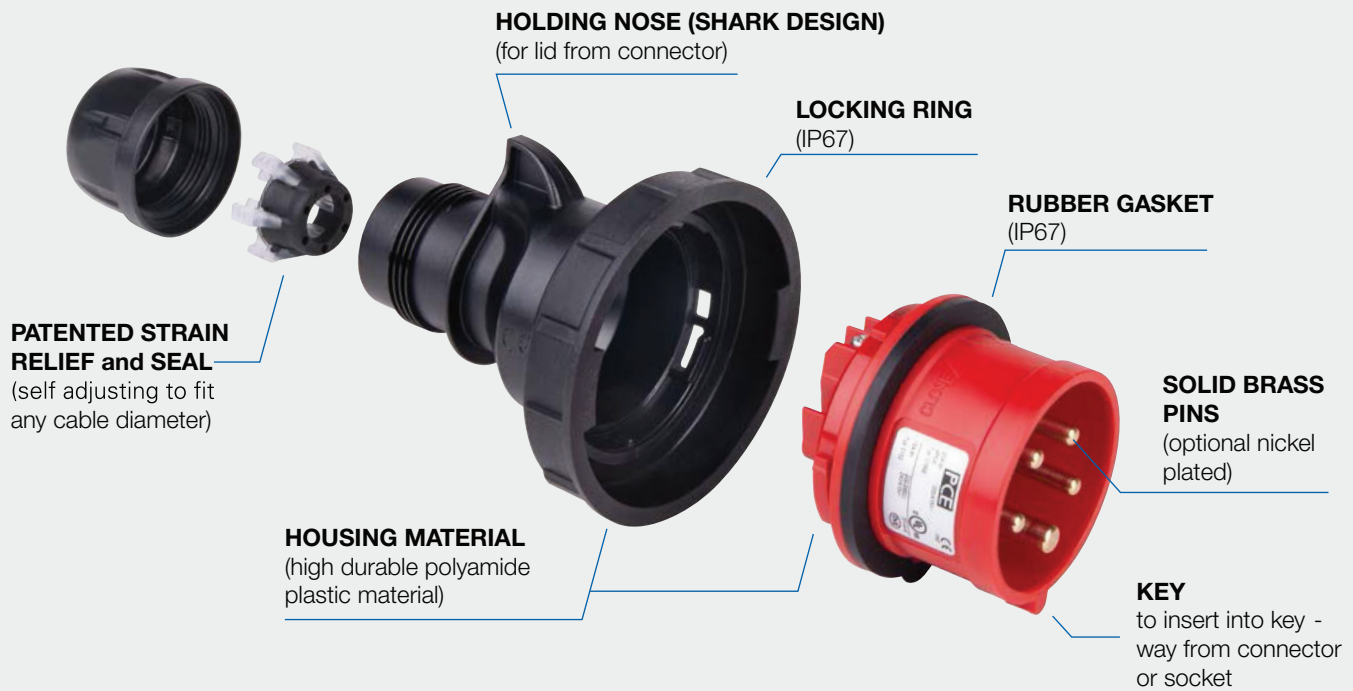
IEC 60309-1	Plugs, socket-outlets and couplers for industrial purposes – Part 1: General requirements
IEC 60309-2	Plugs, socket-outlets and couplers for industrial purposes – Part 2: Dimensional interchangeability requirements for pin and contact-tube accessories
UL 1682 CSA C22.2 182.1	UL Standard for Safety for Plugs, Receptacles and Cable Connectors of the Pin and Sleeve Type. The devices comply with the Bi-National Standard for Attachment Plugs and Receptacles UL1682/CSA C22.2 No. 182.1.
UL 1686	Pin and Sleeve configurations





# PRODUCT INFORMATION

## Features and benefits



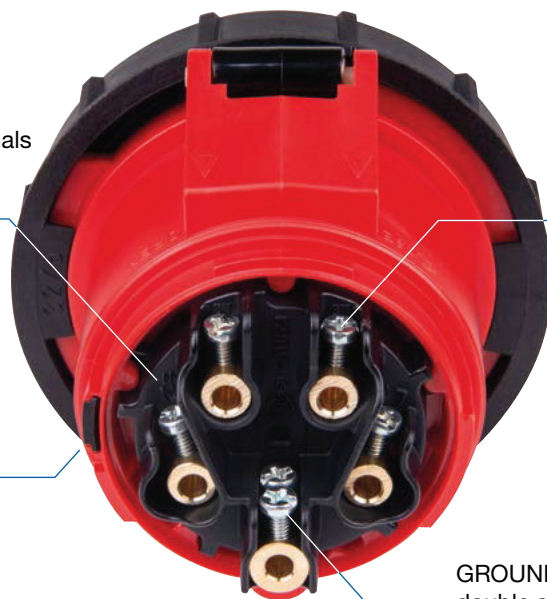




Example screw terminals  
(connector backside)

TERMINAL MARKING  
ground, neutral and phase terminals  
are clearly marked for easy  
identification and wiring

PATENTED LOCKING  
SYSTEM  
for toolfree mounting



MULTI SLOT SCREWS  
to use with slotted and  
Phillips screwdriver,  
all accessible from one  
direction

GROUND PIN ADVANCED  
double screw clamping



0239-6

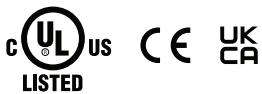
# PLUGS

## 20/30A IP44 splashproof

- with screw terminals
- housing material: PA6
- contacts: brass

To order nickel-plated contacts please add a "v" (e.g. 0139-6v).

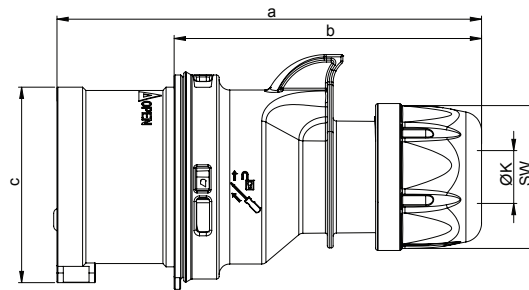
To order large cable diameter for 30A 4P5W please add a "h" (e.g. 0259-6h or 0259-6vh)



UL-product category: QLHN / QLHN7  
UL-file number: E232901

wire configuration	clock position	Symbol	Voltage (colors)	20A part number	30A part number	UL LISTED 20/30A	OVE 16/32A
<b>2P3W</b> (3p)	4h		120Vac	0139-4	0239-4	✓	✓
	5h		277Vac	0139-5	0239-5	✓	
	6h		250Vac	0139-6	0239-6	✓	✓
	7h		480Vac	0139-7	0239-7	✓	
<b>3P4W</b> (4p)	3h		380,440Vac		0249-3	✓	
	5h		600Vac	0149-5	0249-5	✓	
	6h		380Vac	0149-6	0249-6	✓	✓
	7h		480Vac	0149-7	0249-7	✓	
	9h		250Vac	0149-9	0249-9	✓	✓
	12h		120/250Vac single phase	0149-12	0249-12	✓	
<b>4P5W</b> (5p)	5h		347/600Vac	0159-5	0259-5 "h"	✓	
	6h		200/346 to 240/415Vac	0159-6	0259-6 "h"	✓	✓
	7h		277/480Vac	0159-7	0259-7 "h"	✓	
	9h		120/208Vac	0159-9	0259-9 "h"	✓	✓

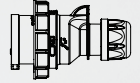
# IP44



Dimensions:

Poles	20A			30A		
	2P3W (3p)	3P4W (4p)	4P5W (5p)	2P3W (3p)	3P4W (4p)	4P5W (5p)
<b>a</b> [mm / inch]	122 / 4.80	128 / 5.04	134 / 5.28	150 / 5.91	150 / 5.91	155 / 6.10
<b>b</b> [mm / inch]	86 / 3.39	92 / 3.62	98 / 3.86	104 / 4.09	104 / 4.09	109 / 4.29
<b>c</b> [mm / inch]	47 / 1.85	53 / 2.09	61 / 2.40	63 / 2.48	63 / 2.48	70 / 2.76
<b>Ø K_cable</b> [mm / inch] standard	9-15 / 0.35-0.59	9-15 / 0.35-0.59	9-16 / 0.35-0.63	13.3-19.3 / 0.52-0.76	13.3-19.3 / 0.52-0.76	13.3-19.3 / 0.52-0.76
<b>Ø K_cable</b> [mm / inch] large "h"						16.4-22.2 / 0.65-0.87
<b>SW</b> [mm / inch]	42 / 1.65	42 / 1.65	42 / 1.65	50 / 1.97	50 / 1.97	50 / 1.97
<b>Weight</b> [g / lb]	109 / 0.24	128 / 0.28	161 / 0.35	181 / 0.4	201 / 0.44	232 / 0.51





## PLUGS

### 20/30A IP67 watertight

01592-6

- with screw terminals
- housing material: PA6
- contacts: brass

To order nickel-plated contacts please add a "v" (e.g. 01392-6v)

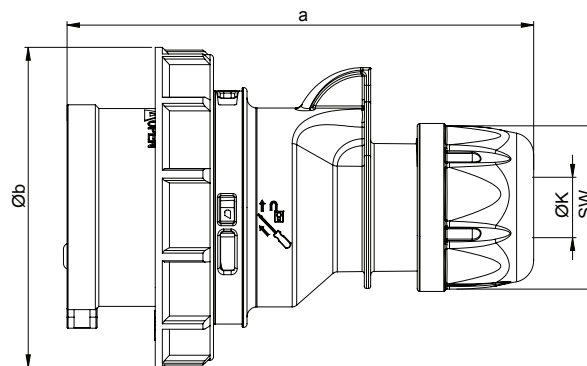
To order large cable diameter for 30A 4P5W please add a "h" (e.g. 02592-6h or 02592-6vh)



UL-product category: QLHN / QLHN7  
UL-file number: E232901

wire configuration	clock position	Symbol	Voltage (colors)	20A part number	30A part number	UL LISTED 20/30A	OVE 16/32A
<b>2P3W</b> (3p)	4h		120Vac	01392-4	02392-4	✓	✓
	5h		277Vac	01392-5	02392-5	✓	
	6h		250Vac	01392-6	02392-6	✓	✓
	7h		480Vac	01392-7	02392-7	✓	
<b>3P4W</b> (4p)	3h		380,440Vac		02492-3	✓	
	5h		600Vac	01492-5	02492-5	✓	
	6h		380Vac	01492-6	02492-6	✓	✓
	7h		480Vac	01492-7	02492-7	✓	
	9h		250Vac	01492-9	02492-9	✓	✓
	12h		120/250Vac single phase	01492-12	02492-12	✓	
<b>4P5W</b> (5p)	5h		347/600Vac	01592-5	02592-5 "h"	✓	
	6h		200/346 to 240/415Vac	01592-6	02592-6 "h"	✓	✓
	7h		277/480Vac	01592-7	02592-7 "h"	✓	
	9h		120/208Vac	01592-9	02592-9 "h"	✓	✓

# IP67



Dimensions:

Poles	20A			30A		
	2P3W (3p)	3P4W (4p)	4P5W (5p)	2P3W (3p)	3P4W (4p)	4P5W (5p)
a [mm / inch]	122 / 4.80	128 / 5.04	134 / 5.28	150 / 5.91	150 / 5.91	155 / 6.1
Ø b [mm / inch]	71 / 2.80	79 / 3.11	87 / 3.43	93 / 3.66	93 / 3.66	100 / 3.94
Ø K_cable [mm / inch] standard	9-15 / 0.35-0.59	9-15 / 0.35-0.59	9-16 / 0.35-0.63	13.3-19.3 / 0.52-0.76	13.3-19.3 / 0.52-0.76	13.3-19.3 / 0.52-0.76
Ø K_cable [mm / inch] large "h"						16.4-22.2 / 0.65-0.87
SW [mm / inch]	42 / 1.65	42 / 1.65	42 / 1.65	50 / 1.97	50 / 1.97	50 / 1.97
Weight [g / lb]	130 / 0.29	154 / 0.34	183 / 0.4	223 / 0.49	242 / 0.53	276 / 0.61



2239-6

# CONNECTORS

## 20/30A IP44 splashproof

- with screw terminals
- housing material: PA6
- contacts: brass

To order nickel-plated contacts please add a "v" (e.g. 2239-6v)

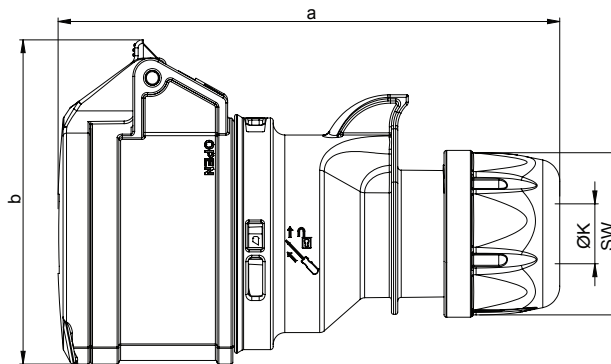
To order large cable diameter for 30A 4P5W please add a "h" (e.g. 2259-6h or 2559-6vh)

wire configuration	clock position	Symbol	Voltage (colors)	20A part number	30A part number	UL LISTED 20/30A	ÖVE 16/32A
2P3W (3p)	4h		120Vac	2139-4	2239-4	✓	✓
	5h		277Vac	2139-5	2239-5	✓	
	6h		250Vac	2139-6	2239-6	✓	✓
	7h		480Vac	2139-7	2239-7	✓	
3P4W (4p)	3h		380,440Vac		2249-3	✓	
	5h		600Vac	2149-5	2249-5	✓	
	6h		380Vac	2149-6	2249-6	✓	✓
	7h		480Vac	2149-7	2249-7	✓	
	9h		250Vac	2149-9	2249-9	✓	✓
	12h		120/250Vac single phase	2149-12	2249-12	✓	
4P5W (5p)	5h		347/600Vac	2159-5	2259-5 "h"	✓	
	6h		200/346 to 240/415Vac	2159-6	2259-6 "h"	✓	✓
	7h		277/480Vac	2159-7	2259-7 "h"	✓	
	9h		120/208Vac	2159-9	2259-9 "h"	✓	✓



UL-product category: QLHN / QLHN7  
UL-file number: E232901

# IP44



Dimensions:

Poles	20A			30A		
	2P3W (3p)	3P4W (4p)	4P5W (5p)	2P3W (3p)	3P4W (4p)	4P5W (5p)
a [mm / inch]	133 / 5.24	138 / 5.43	145 / 5.71	161 / 6.34	161 / 6.34	168 / 6.61
b [mm / inch]	74 / 2.91	82 / 3.23	89 / 3.5	94 / 3.70	94 / 3.70	99 / 3.90
Ø K_cable [mm / inch] standard	9-15 / 0.35-0.59	9-15 / 0.35-0.59	9-16 / 0.35-0.63	13.3-19.3 / 0.52-0.76	13.3-19.3 / 0.52-0.76	13.3-19.3 / 0.52-0.76
Ø K_cable [mm / inch] large "h"						16.4-22.2 / 0.65-0.87
SW [mm / inch]	42 / 1.65	42 / 1.65	42 / 1.65	50 / 1.97	50 / 1.97	50 / 1.97
Weight [g / lb]	134 / 0.3	161 / 0.35	180 / 0.41	228 / 0.5	244 / 0.54	270 / 0.6





22592-6



# CONNECTORS

## 20/30A IP67 watertight

- with screw terminals
- housing material: PA6
- contacts: brass

To order nickel-plated contacts please add a "v" (e.g. 22592-7v)

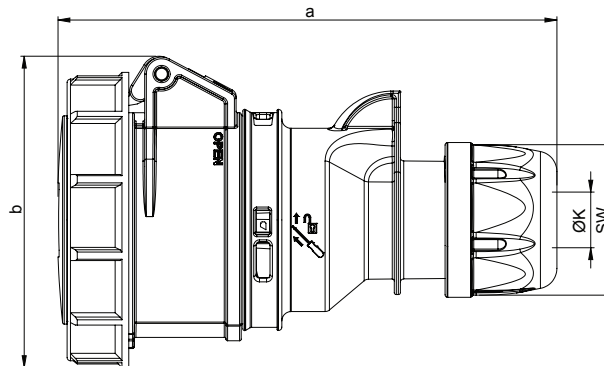
To order large cable diameter for 30A 4P5W please add a "h" (e.g. 22592-6h or 22592-6vh)

wire configuration	clock position	Symbol	Voltage (colors)	20A part number	30A part number	UL LISTED 20/30A	ÖVE 16/32A
<b>2P3W</b> (3p)	4h		120Vac	21392-4	22392-4	✓	✓
	5h		277Vac	21392-5	22392-5	✓	
	6h		250Vac	21392-6	22392-6	✓	✓
	7h		480Vac	21392-7	22392-7	✓	
<b>3P4W</b> (4p)	3h		380,440Vac		22492-3	✓	
	5h		600Vac	21492-5	22492-5	✓	
	6h		380Vac	21492-6	22492-6	✓	✓
	7h		480Vac	21492-7	22492-7	✓	
	9h		250Vac	21492-9	22492-9	✓	✓
	12h		120/250Vac single phase	21492-12	22492-12	✓	
<b>4P5W</b> (5p)	5h		347/600Vac	21592-5	22592-5 "h"	✓	
	6h		200/346 to 240/415Vac	21592-6	22592-6 "h"	✓	✓
	7h		277/480Vac	21592-7	22592-7 "h"	✓	
	9h		120/208Vac	21592-9	22592-9 "h"	✓	✓



UL-product category: QLHN / QLHN7  
UL-file number: E232901

# IP67



Dimensions:

Poles	20A			30A		
	2P3W (3p)	3P4W (4p)	4P5W (5p)	2P3W (3p)	3P4W (4p)	4P5W (5p)
<b>a</b> [mm / inch]	132 / 5.20	139 / 5.47	147 / 5.79	163 / 6.42	163 / 6.42	171 / 6.73
<b>b</b> [mm / inch]	78 / 3.07	84 / 3.31	92 / 3.62	96 / 3.78	96 / 3.78	102 / 4.02
<b>Ø K_cable</b> [mm / inch] standard	9-15 / 0.35-0.59	9-15 / 0.35-0.59	9-16 / 0.35-0.63	13.3-19.3 / 0.52-0.76	13.3-19.3 / 0.52-0.76	13.3-19.3 / 0.52-0.76
<b>Ø K_cable</b> [mm / inch] large "h"						16.4-22.2 / 0.65-0.87
<b>SW</b> [mm / inch]	42 / 1.65	42 / 1.65	42 / 1.65	50 / 1.97	50 / 1.97	50 / 1.97
<b>Weight</b> [g / lb]	155 / 0.34	186 / 0.41	215 / 0.5	275 / 0.61	292 / 0.64	338 / 0.75



# RECEPTACLES FLANGE STRAIGHT



3239-6f7

## 20/30A IP44 splashproof

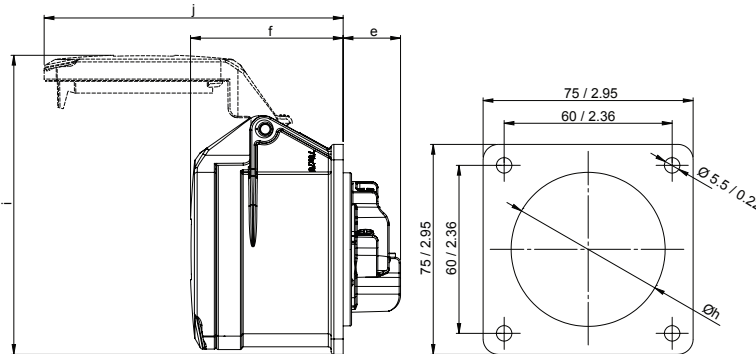
- with screw terminals
  - housing material: PA6
  - contacts: brass
- To order nickel-plated contacts please add a "v" (e.g. 3149-6f7v).

wire configuration	clock position	Symbol	Voltage (colors)	20A part number	30A part number	UL LISTED 20/30A	ÖVE 16/32A
<b>2P3W</b> (3p)	4h		120Vac	3139-4f7	3239-4f7	✓	✓
	5h		277Vac	3139-5f7	3239-5f7	✓	
	6h		250Vac	3139-6f7	3239-6f7	✓	✓
	7h		480Vac	3139-7f7	3239-7f7	✓	
<b>3P4W</b> (4p)	3h		380,440Vac		3249-3f7	✓	
	5h		600Vac	3149-5f7	3249-5f7	✓	
	6h		380Vac	3149-6f7	3249-6f7	✓	✓
	7h		480Vac	3149-7f7	3249-7f7	✓	
	9h		250Vac	3149-9f7	3249-9f7	✓	✓
	12h		120/250Vac single phase	3149-12f7	3249-12f7	✓	
<b>4P5W</b> (5p)	5h		347/600Vac	3159-5f7	3259-5f7	✓	
	6h		200/346 to 240/415Vac	3159-6f7	3259-6f7	✓	✓
	7h		277/480Vac	3159-7f7	3259-7f7	✓	
	9h		120/208Vac	3159-9f7	3259-9f7	✓	✓



UL-product category: QLIW / QLIW7  
UL-file number: E252008

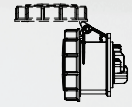
# IP44



Dimensions:  
[mm / inch]

Poles	20A			30A		
	2P3W (3p)	3P4W (4p)	4P5W (5p)	2P3W (3p)	3P4W (4p)	4P5W (5p)
<b>e</b> [mm / inch]	21 / 0.83	21 / 0.83	21 / 0.83	23 / 0.91	23 / 0.91	23 / 0.91
<b>f</b> [mm / inch]	55 / 2.17	55 / 2.17	55 / 2.17	67 / 2.64	67 / 2.64	67 / 2.64
<b>Ø h</b> [mm / inch]	43 / 1.69	45 / 1.77	55 / 2.17	55 / 2.17	55 / 2.17	58 / 2.28
<b>i</b> [mm / inch]	89 / 3.5	104 / 4.09	107 / 4.21	112 / 4.41	112 / 4.41	108 / 4.25
<b>j</b> [mm / inch]	101 / 3.98	101 / 3.98	107 / 4.21	122 / 4.8	122 / 4.8	136 / 5.35
<b>Weight</b> [g / lb]	120 / 0.26	132 / 0.29	150 / 0.33	167 / 0.37	182 / 0.4	210 / 0.46





31592-6

# RECEPTACLES FLANGE STRAIGHT

## 20/30A IP67 watertight

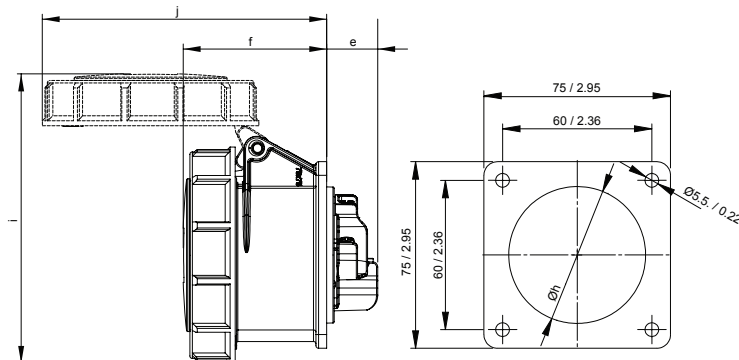
- with screw terminals
  - housing material: PA6
  - contacts: brass
- To order nickel-plated contacts please add a "v" (e.g. 32592-7v).

wire configuration	clock position	Symbol	Voltage (colors)	20A part number	30A part number	UL LISTED 20/30A	ÖVE 16/32A
<b>2P3W</b> (3p)	4h		120Vac	31392-4	32392-4	✓	✓
	5h		277Vac	31392-5	32392-5	✓	
	6h		250Vac	31392-6	32392-6	✓	✓
	7h		480Vac	31392-7	32392-7	✓	
<b>3P4W</b> (4p)	3h		380,440Vac		32492-3	✓	
	5h		600Vac	31492-5	32492-5	✓	
	6h		380Vac	31492-6	32492-6	✓	✓
	7h		480Vac	31492-7	32492-7	✓	
	9h		250Vac	31492-9	32492-9	✓	✓
	12h		120/250Vac single phase	31492-12	32492-12	✓	
<b>4P5W</b> (5p)	5h		347/600Vac	31592-5	32592-5	✓	
	6h		200/346 to 240/415Vac	31592-6	32592-6	✓	✓
	7h		277/480Vac	31592-7	32592-7	✓	
	9h		120/208Vac	31592-9	32592-9	✓	✓



UL-product category: QLIW / QL1W7  
UL-file number: E252008

# IP67



Dimensions:  
[mm / inch]

Poles	20A			30A		
	2P3W (3p)	3P4W (4p)	4P5W (5p)	2P3W (3p)	3P4W (4p)	4P5W (5p)
<b>e</b> [mm / inch]	21 / 0.83	21 / 0.83	21 / 0.83	23 / 0.91	23 / 0.91	23 / 0.91
<b>f</b> [mm / inch]	56 / 2.2	57 / 2.24	59 / 2.32	69 / 2.72	69 / 2.72	71 / 2.8
<b>Ø h</b> [mm / inch]	43 / 1.69	45 / 1.77	55 / 2.17	55 / 2.17	55 / 2.17	58 / 2.28
<b>i</b> [mm / inch]	102 / 4.02	108 / 4.25	117 / 4.61	122 / 4.8	122 / 4.8	130 / 5.12
<b>j</b> [mm / inch]	101 / 3.98	109 / 4.29	115 / 4.53	130 / 5.12	130 / 5.12	136 / 5.35
<b>Weight</b> [g / lb]	135 / 0.3	153 / 0.34	183 / 0.4	206 / 0.45	222 / 0.49	260 / 0.57



# RECEPTACLES FLANGE ANGLED

## 20/30A IP44 splashproof



4259-5

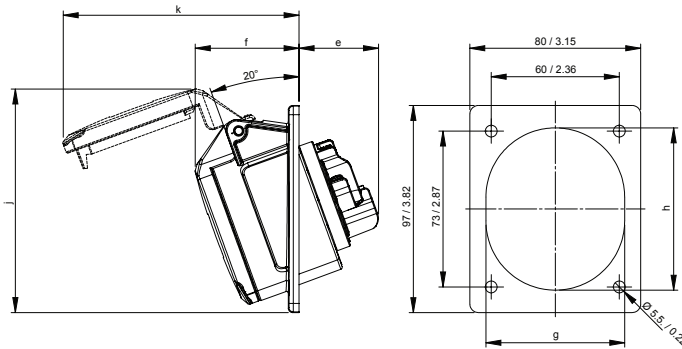
- with screw terminals
  - housing material: PA6
  - contacts: brass
- To order nickel-plated contacts please add a "v" (e.g. 4159-7v).

wire configuration	clock position	Symbol	Voltage (colors)	20A part number	30A part number	UL LISTED 20/30A	ÖVE 16/32A
<b>2P3W</b> (3p)	4h		120Vac	4139-4f8	4239-4	✓	✓
	5h		277Vac	4139-5f8	4239-5	✓	
	6h		250Vac	4139-6f8	4239-6	✓	✓
	7h		480Vac	4139-7f8	4239-7	✓	
<b>3P4W</b> (4p)	3h		380,440Vac		4249-3	✓	
	5h		600Vac	4149-5f8	4249-5	✓	
	6h		380Vac	4149-6f8	4249-6	✓	✓
	7h		480Vac	4149-7f8	4249-7	✓	
	9h		250Vac	4149-9f8	4249-9	✓	✓
	12h		120/250Vac single phase	4149-12f8	4249-12	✓	
<b>4P5W</b> (5p)	5h		347/600Vac	4159-5	4259-5	✓	
	6h		200/346 to 240/415Vac	4159-6	4259-6	✓	✓
	7h		277/480Vac	4159-7	4259-7	✓	
	9h		120/208Vac	4159-9	4259-9	✓	✓



UL-product category: QLIW / QLIW7  
UL-file number: E252008

# IP44



Dimensions:  
[mm / inch]

Poles	20A			30A		
	2P3W (3p)	3P4W (4p)	4P5W (5p)	2P3W (3p)	3P4W (4p)	4P5W (5p)
<b>e</b> [mm / inch]	38 / 1.5	38 / 1.5	38 / 1.5	48 / 1.89	48 / 1.89	48 / 1.89
<b>f</b> [mm / inch]	47 / 1.85	47 / 1.85	49 / 1.93	54 / 2.13	54 / 2.13	55 / 2.17
<b>g</b> [mm / inch]	51 / 2.01	56 / 2.2	65 / 2.56	65 / 2.56	65 / 2.56	70 / 2.76
<b>h</b> [mm / inch]	61 / 2.4	67 / 2.64	76 / 2.99	75 / 2.95	75 / 2.95	84 / 3.31
<b>j</b> [mm / inch]	97 / 3.82	103 / 4.06	105 / 4.13	105 / 4.13	105 / 4.13	99 / 3.9
<b>k</b> [mm / inch]	99 / 3.9	104 / 4.09	111 / 4.37	119 / 4.69	119 / 4.69	130 / 5.12
<b>Weight</b> [g / lb]	116 / 0.26	132 / 0.29	154 / 0.34	166 / 0.37	182 / 0.4	214 / 0.47





41392-4f8

# RECEPTACLES FLANGE ANGLED

## 20/30A IP67 watertight

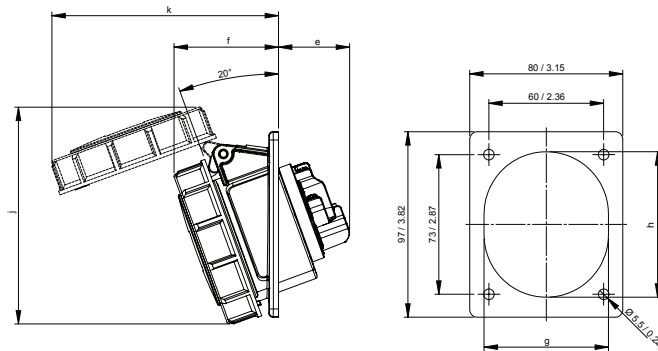
- with screw terminals
  - housing material: PA6
  - contacts: brass
- To order nickel-plated contacts please add a "v" (e.g. 41492-6f8v).

wire configuration	clock position	Symbol	Voltage (colors)	20A part number	30A part number	UL <sup>®</sup> LISTED US 20/30A	UL <sup>®</sup> LISTED VE 16/32A
<b>2P3W</b> (3p)	4h		120Vac	41392-4f8	42392-4f78	✓	✓
	5h		277Vac	41392-5f8	42392-5f78	✓	
	6h		250Vac	41392-6f8	42392-6f78	✓	✓
	7h		480Vac	41392-7f8	42392-7f78	✓	
<b>3P4W</b> (4p)	3h		380,440Vac		42492-3f78	✓	
	5h		600Vac	41492-5f8	42492-5f78	✓	
	6h		380Vac	41492-6f8	42492-6f78	✓	✓
	7h		480Vac	41492-7f8	42492-7f78	✓	
	9h		250Vac	41492-9f8	42492-9f78	✓	✓
	12h		120/250Vac single phase	41492-12f8	42492-12f78	✓	
<b>4P5W</b> (5p)	5h		347/600Vac	41592-5f78	42592-5f78	✓	
	6h		200/346 to 240/415Vac	41592-6f78	42592-6f78	✓	✓
	7h		277/480Vac	41592-7f78	42592-7f78	✓	
	9h		120/208Vac	41592-9f78	42592-9f78	✓	✓



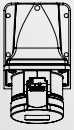
UL-product category: QLIW / QLIW7  
UL-file number: E252008

# IP67



Dimensions:  
[mm / inch]

Poles	20A			30A		
	2P3W (3p)	3P4W (4p)	4P5W (5p)	2P3W (3p)	3P4W (4p)	4P5W (5p)
<b>e</b> [mm / inch]	38 / 1.5	38 / 1.5	38 / 1.5	48 / 1.89	48 / 1.89	48 / 1.89
<b>f</b> [mm / inch]	50 / 1.97	52 / 2.05	55 / 2.17	59 / 2.32	59 / 2.32	61 / 2.4
<b>g</b> [mm / inch]	51 / 2.01	56 / 2.2	65 / 2.56	65 / 2.56	65 / 2.56	70 / 2.76
<b>h</b> [mm / inch]	61 / 2.4	67 / 2.64	76 / 2.99	75 / 2.95	75 / 2.95	84 / 3.31
<b>j</b> [mm / inch]	102 / 4.02	106 / 4.17	114 / 4.49	120 / 4.72	120 / 4.72	127 / 5
<b>k</b> [mm / inch]	103 / 4.06	110 / 4.33	119 / 4.69	127 / 5	127 / 5	133 / 5.24
<b>Weight</b> [g / lb]	131 / 0.29	153 / 0.34	186 / 0.41	207 / 0.46	224 / 0.49	262 / 0.58



# RECEPTACLES WALL MOUNT



11591-6

## 20/30A IP44 splashproof

- with screw terminals
- housing material: PA6
- contacts: brass

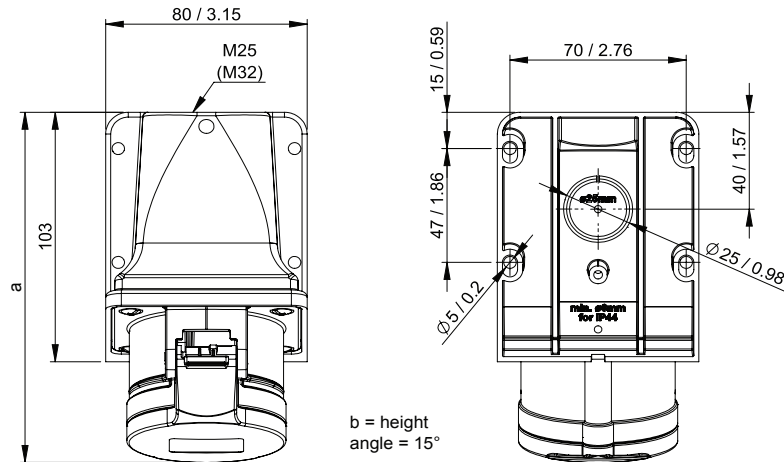
To order nickel-plated contacts please add a "v" (e.g. 11591-6 v).

wire configuration	clock position	Symbol	Voltage (colors)	20A part number	30A part number	UL LISTED 20/30A	ÖVE 16/32A
<b>2P3W</b> (3p)	4h		120Vac	11391-4	12391-4	✓	✓
	5h		277Vac	11391-5	12391-5	✓	
	6h		250Vac	11391-6	12391-6	✓	✓
	7h		480Vac	11391-7	12391-7	✓	
<b>3P4W</b> (4p)	3h		380,440Vac		12491-3	✓	
	5h		600Vac	11491-5	12491-5	✓	
	6h		380Vac	11491-6	12491-6	✓	✓
	7h		480Vac	11491-7	12491-7	✓	
	9h		250Vac	11491-9	12491-9	✓	✓
	12h		120/250Vac single phase	11491-12	12491-12	✓	
<b>4P5W</b> (5p)	5h		347/600Vac	11591-5	12591-5	✓	
	6h		200/346 to 240/415Vac	11591-6	12591-6	✓	✓
	7h		277/480Vac	11591-7	12591-7	✓	
	9h		120/208Vac	11591-9	12591-9	✓	✓



UL-product category: QLIW / QLIW7  
UL-file number: E252008

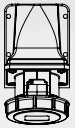
# IP44



Dimensions:  
[mm / inch]

b = height  
angle = 15°

Poles	20A			30A		
	2P3W (3p)	3P4W (4p)	4P5W (5p)	2P3W (3p)	3P4W (4p)	4P5W (5p)
a [mm / inch]	143 / 5.63	146 / 5.75	146 / 5.75	157 / 6.18	157 / 6.18	158 / 6.22
b [mm / inch]	101 / 3.98	104 / 4.09	106 / 4.17	111 / 4.37	111 / 4.37	115 / 4.53
Weight [g / lb]	202 / 0.45	214 / 0.47	233 / 0.51	249 / 0.55	265 / 0.58	292 / 0.64



# RECEPTACLES WALL MOUNT

**20/30A** IP67 watertight



11592-6

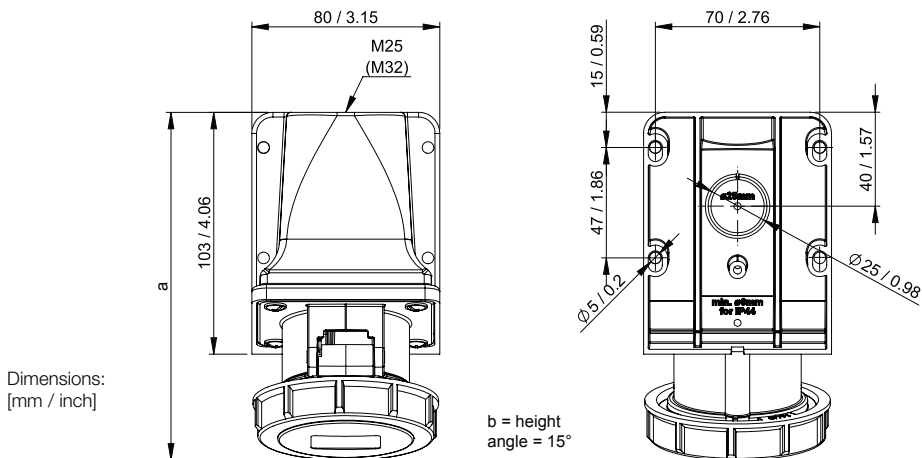
- with screw terminals
  - housing material: PA6
  - contacts: brass
- To order nickel-plated contacts please add a "v" (e.g. 11592-7v).

wire configuration	clock position	Symbol	Voltage (colors)	20A part number	30A part number	cUL <sup>®</sup> US LISTED 20/30A	ÖVE 16/32A
<b>2P3W</b> (3p)	4h		120Vac	11392-4	12392-4	✓	✓
	5h		277Vac	11392-5	12392-5	✓	
	6h		250Vac	11392-6	12392-6	✓	✓
	7h		480Vac	11392-7	12392-7	✓	
<b>3P4W</b> (4p)	3h		380,440Vac		12492-3	✓	
	5h		600Vac	11492-5	12492-5	✓	
	6h		380Vac	11492-6	12492-6	✓	✓
	7h		480Vac	11492-7	12492-7	✓	
	9h		250Vac	11492-9	12492-9	✓	✓
	12h		120/250Vac single phase	11492-12	12492-12	✓	
<b>4P5W</b> (5p)	5h		347/600Vac	11592-5	12592-5	✓	
	6h		200/346 to 240/415Vac	11592-6	12592-6	✓	✓
	7h		277/480Vac	11592-7	12592-7	✓	
	9h		120/208Vac	11592-9	12592-9	✓	✓



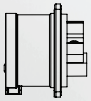
UL-product category: QLIW / QLIW7  
UL-file number: E252008

# IP67



Poles	20A			30A		
	2P3W (3p)	3P4W (4p)	4P5W (5p)	2P3W (3p)	3P4W (4p)	4P5W (5p)
<b>a</b> [mm / inch]	147 / 5.79	149 / 5.87	150 / 5.91	161 / 6.34	161 / 6.34	162 / 6.38
<b>b</b> [mm / inch]	96 / 3.78	99 / 3.9	102 / 4.02	108 / 4.25	108 / 4.25	110 / 4.33
<b>Weight</b> [g / lb]	226 / 0.5	241 / 0.53	275 / 0.61	298 / 0.66	314 / 0.69	351 / 0.77





# INLETS FLANGE STRAIGHT

## 20/30A IP44 splashproof



6249-9

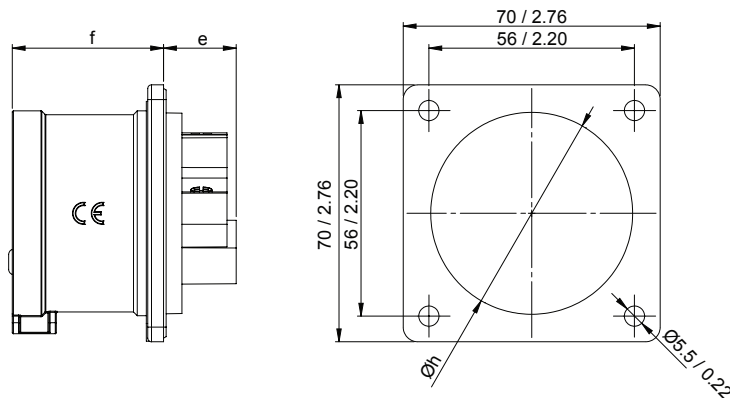
- with screw terminals
  - housing material: PA6
  - contacts: brass
- To order nickel-plated contacts please add a "v" (e.g. 6139-6v).

wire configuration	clock position	Symbol	Voltage (colors)	20A part number	30A part number	UL LISTED 20/30A	ÖVE 16/32A
<b>2P3W</b> (3p)	4h		120Vac	6139-4	6239-4	✓	✓
	5h		277Vac	6139-5	6239-5	✓	
	6h		250Vac	6139-6	6239-6	✓	✓
	7h		480Vac	6139-7	6239-7	✓	
<b>3P4W</b> (4p)	3h		380,440Vac		6249-3	✓	
	5h		600Vac	6149-5	6249-5	✓	
	6h		380Vac	6149-6	6249-6	✓	✓
	7h		480Vac	6149-7	6249-7	✓	
	9h		250Vac	6149-9	6249-9	✓	✓
	12h		120/250Vac single phase	6149-12	6249-12	✓	
<b>4P5W</b> (5p)	5h		347/600Vac	6159-5	6259-5	✓	
	6h		200/346 to 240/415Vac	6159-6	6259-6	✓	✓
	7h		277/480Vac	6159-7	6259-7	✓	
	9h		120/208Vac	6159-9	6259-9	✓	✓



UL-product category: QLIW / QLIW7  
UL-file number: E252008

# IP44



Dimensions:  
[mm / inch]

Poles	20A			30A		
	2P3W (3p)	3P4W (4p)	4P5W (5p)	2P3W (3p)	3P4W (4p)	4P5W (5p)
<b>e</b> [mm / inch]	21 / 0.83	21 / 0.83	20 / 0.79	21 / 0.83	21 / 0.83	21 / 0.83
<b>f</b> [mm / inch]	42 / 1.65	42 / 1.65	42 / 1.65	51 / 2.01	51 / 2.01	51 / 2.01
<b>Ø h</b> [mm / inch]	43 / 1.69	43 / 1.69	55 / 2.17	55 / 2.17	55 / 2.17	55 / 2.17
<b>Weight</b> [g / lb]	86 / 0.19	101 / 0.22	118 / 0.26	125 / 0.28	145 / 0.32	165 / 0.36



# INLETS FLANGE STRAIGHT

## 20/30A IP67 watertight

62392-6



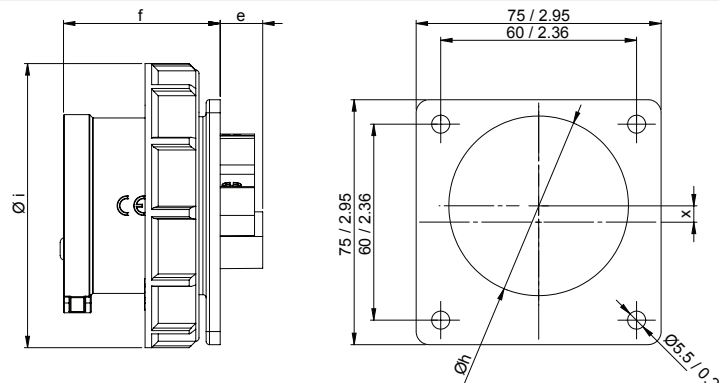
- with screw terminals
  - housing material: PA6
  - contacts: brass
- To order nickel-plated contacts please add a "v" (e.g. 61592-7 v).

wire configuration	clock position	Symbol	Voltage (colors)	20A part number	30A part number	UL LISTED 20/30A	ÖVE 16/32A
<b>2P3W</b> (3p)	4h		120Vac	61392-4	62392-4	✓	✓
	5h		277Vac	61392-5	62392-5	✓	
	6h		250Vac	61392-6	62392-6	✓	✓
	7h		480Vac	61392-7	62392-7	✓	
<b>3P4W</b> (4p)	3h		380,440Vac		62492-3	✓	
	5h		600Vac	61492-5	62492-5	✓	
	6h		380Vac	61492-6	62492-6	✓	✓
	7h		480Vac	61492-7	62492-7	✓	
	9h		250Vac	61492-9	62492-9	✓	✓
	12h		120/250Vac single phase	61492-12	62492-12	✓	
<b>4P5W</b> (5p)	5h		347/600Vac	61592-5	62592-5	✓	
	6h		200/346 to 240/415Vac	61592-6	62592-6	✓	✓
	7h		277/480Vac	61592-7	62592-7	✓	
	9h		120/208Vac	61592-9	62592-9	✓	✓



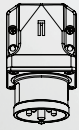
UL-product category: QLIW / QLIW7  
UL-file number: E252008

# IP67



Dimensions:  
[mm / inch]

Poles	20A			30A		
	2P3W (3p)	3P4W (4p)	4P5W (5p)	2P3W (3p)	3P4W (4p)	4P5W (5p)
<b>e</b> [mm / inch]	15 / 0.59	14 / 0.55	13 / 0.51	14 / 0.55	15 / 0.59	14 / 0.55
<b>f</b> [mm / inch]	48 / 1.89	48 / 1.89	48 / 1.89	58 / 2.28	58 / 2.28	58 / 2.28
<b>Ø h</b> [mm / inch]	43 / 1.69	44 / 1.73	55 / 2.17	55 / 2.17	55 / 2.17	55 / 2.17
<b>Ø i</b> [mm / inch]	71 / 2.80	79 / 3.11	87 / 3.43	93 / 3.66	93 / 3.66	100 / 3.94
<b>x</b> [mm / inch]	11.3 / 0.44	6 / 0.24	5 / 0.20	4.5 / 0.18	4.5 / 0.18	0 / 0
<b>Weight</b> [g / lb]	109 / 0.24	131 / 0.29	150 / 0.33	167 / 0.37	188 / 0.41	214 / 0.47



# INLETS WALL MOUNT



5149-6

## 20/30A IP44 splashproof

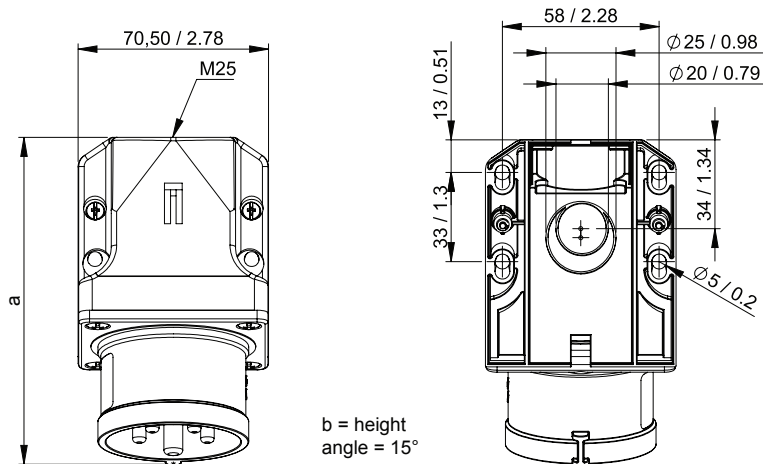
- with screw terminals
  - housing material: PA6
  - contacts: brass
- To order nickel-plated contacts please add a "v" (e.g. 5139-6v).

wire configuration	clock position	Symbol	Voltage (colors)	20A part number	30A part number	UL LISTED 20/30A	ÖVE 16/32A
<b>2P3W</b> (3p)	4h		120Vac	5139-4	5239-4	✓	✓
	5h		277Vac	5139-5	5239-5	✓	
	6h		250Vac	5139-6	5239-6	✓	✓
	7h		480Vac	5139-7	5239-7	✓	
<b>3P4W</b> (4p)	3h		380,440Vac		5249-3	✓	
	5h		600Vac	5149-5	5249-5	✓	
	6h		380Vac	5149-6	5249-6	✓	✓
	7h		480Vac	5149-7	5249-7	✓	
	9h		250Vac	5149-9	5249-9	✓	✓
	12h		120/250Vac single phase	5149-12	5249-12	✓	
<b>4P5W</b> (5p)	5h		347/600Vac	5159-5	5259-5	✓	
	6h		200/346 to 240/415Vac	5159-6	5259-6	✓	✓
	7h		277/480Vac	5159-7	5259-7	✓	
	9h		120/208Vac	5159-9	5259-9	✓	✓



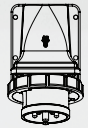
UL-product category: QLIW / QLIW7  
UL-file number: E252008

# IP44



Poles	20A			30A		
	2P3W (3p)	3P4W (4p)	4P5W (5p)	2P3W (3p)	3P4W (4p)	4P5W (5p)
a [mm / inch]	120 / 4.72	121 / 4.76	122 / 4.8	131 / 5.16	131 / 5.16	132 / 5.2
b [mm / inch]	76 / 2.99	76 / 2.99	79 / 3.11	82 / 3.23	82 / 3.23	85 / 3.35
Weight [g / lb]	173 / 0.38	188 / 0.41	205 / 0.45	212 / 0.47	232 / 0.51	253 / 0.56





# INLETS WALL MOUNT

**20/30A IP67 watertight**

52492-6k



- with screw terminals
- housing material: PA6
- contacts: brass

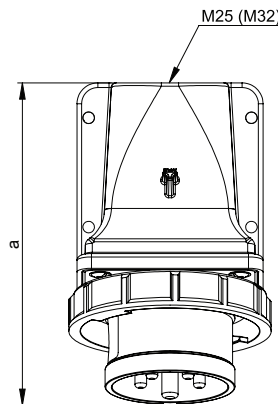
To order nickel-plated contacts please add a "v" (e.g. 52592-7kv).

wire configuration	clock position	Symbol	Voltage (colors)	20A part number	30A part number	UL LISTED 20/30A	ÖVE 16/32A
<b>2P3W</b> (3p)	4h		120Vac	51392-4k	52392-4k	✓	✓
	5h		277Vac	51392-5k	52392-5k	✓	
	6h		250Vac	51392-6k	52392-6k	✓	✓
	7h		480Vac	51392-7k	52392-7k	✓	
<b>3P4W</b> (4p)	3h		380,440Vac		52492-3k	✓	
	5h		600Vac	51492-5k	52492-5k	✓	
	6h		380Vac	51492-6k	52492-6k	✓	✓
	7h		480Vac	51492-7k	52492-7k	✓	
	9h		250Vac	51492-9k	52492-9k	✓	✓
	12h		120/250Vac single phase	51492-12k	52492-12k	✓	
<b>4P5W</b> (5p)	5h		347/600Vac	51592-5k	52592-5k	✓	
	6h		200/346 to 240/415Vac	51592-6k	52592-6k	✓	✓
	7h		277/480Vac	51592-7k	52592-7k	✓	
	9h		120/208Vac	51592-9k	52592-9k	✓	✓



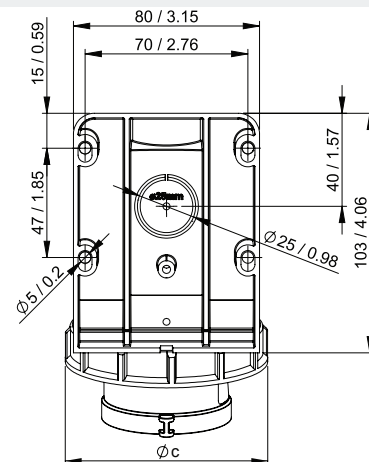
UL-product category: QLIW / QLIW7  
UL-file number: E252008

# IP67



Dimensions:  
[mm / inch]

b = height  
angle = 15°



Poles	20A			30A		
	2P3W (3p)	3P4W (4p)	4P5W (5p)	2P3W (3p)	3P4W (4p)	4P5W (5p)
<b>a</b> [mm / inch]	136 / 5,35	138 / 5,43	140 / 5,51	150 / 5,91	153 / 6,02	152 / 5,98
<b>b</b> [mm / inch]	99 / 3,9	94 / 3,7	100 / 3,94	104 / 4,09	104 / 4,09	102 / 4,02
<b>Ø c</b> [mm / inch]	71 / 2,8	79 / 3,11	87 / 3,43	93 / 3,66	93 / 3,66	102 / 4,02
<b>Weight</b> [g / lb]	200 / 0,44	223 / 0,49	242 / 0,53	260 / 0,57	280 / 0,62	306 / 0,67

# TECHNICAL DATA

ELECTRICAL	
<b>Insulation Voltage, Max (Volts)</b>	16/20 A = 690V (Plugs, Connectors, Receptacles, Inlets) 32/30 A = 690V (Plugs, Connectors, Receptacles, Inlets)
<b>Dielectric Withstanding Voltage</b>	16/20 A = 3000V (Plugs, Connectors, Receptacles, Inlets) 32/30 A = 3000V (Plugs, Connectors, Receptacles, Inlets)
<b>Current Interrupting</b>	IEC: Certified for current interrupting at 110% of the rated operating voltage and 125% of the rated current at a power factor of 0.6 (16 A and 32 A). UL: Certified for current interrupting at 100% of the rating operating voltage and 150% of the rated current at a power factor of 0.75-0.80 (20 A and 30 A).
<b>Endurance, Connect and disconnect cycles</b>	IEC: 16 A = 5000 with load at a power factor of 0.6 32 A = 2000 (1000 alternating without load and 1000 with load at a power factor of 0.6) UL: 20 A = 5000 with load at a power factor of 0.75-0.80 30 A = 2000 (1000 alternating without load and 1000 with load at a power factor of 0.75-0.80)

MECHANICAL	
<b>Impact Resistance</b>	Per IEC 60309-1 / Clause 24; UL 1682 and CSA C22.2 182.1 / Clause 5.13
<b>Terminal Identification</b>	Per IEC 60309-1 / Sub-clause 7.5; UL 1682 and CSA C22.2 182.1

ENVIRONMENTAL	
<b>Temperature Range, Operating</b>	-25°C to +80°C (-13°F to +176°F)
<b>Moisture Resistance</b>	Splashproof IP44; Watertight IP67; Per IEC 60309-1 / Clause 18
<b>Flammability</b>	Per IEC 60309-1 / Clause 27: Contact Carrying Parts: 850°C Non Contact Carrying Parts: 650°C Flame Class Rating UL 94 or CSA C22.2 No.0.17: V-2

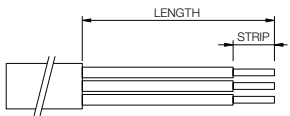
MATERIAL	
<b>Housing (Front and Back)</b>	Polyamide 6
<b>Cover</b>	Polyamide 6
<b>Hinged lid axle</b>	Polyamide 6
<b>Cover Spring</b>	Spring Steel
<b>Contact Carrier</b>	Polyamide 6
<b>Contacts</b>	Brass or Nickel-plated Brass
<b>Terminal Screws</b>	Steel, Brass or Nickel-plated Brass
<b>Cord Clamp / Bushing</b>	Polypropylene and Thermoplastic Elastomer
<b>Gland Nut</b>	Polyamide 6
<b>Locking Ring</b>	Polyamide 6
<b>Assembly Screws</b>	Steel

## RECOMMENDED SIZE FOR CONNECTABLE CONDUCTORS (>50V)

Amp Rating		Flexible Wire for Plugs, Connectors, Receptacles, Inlets		Solid Wire for Receptacles, Inlets	
Series I	Series II	Series I	Series II	Series I	Series II
16A	20A	1-2.5mm <sup>2</sup>	AWG 16-12	1-4mm <sup>2</sup>	-
32A	30A	2.5-6mm <sup>2</sup>	AWG 14-10	2.5-10mm <sup>2</sup>	-

## CORDAGE PREPARATION

CONDUCTOR	LENGTH	STRIP
16A / 20A	50mm / 1.97"	10-12mm / 0.39-0.47"
32A / 30A	50mm / 1.97"	12-14mm / 0.47-0.55"

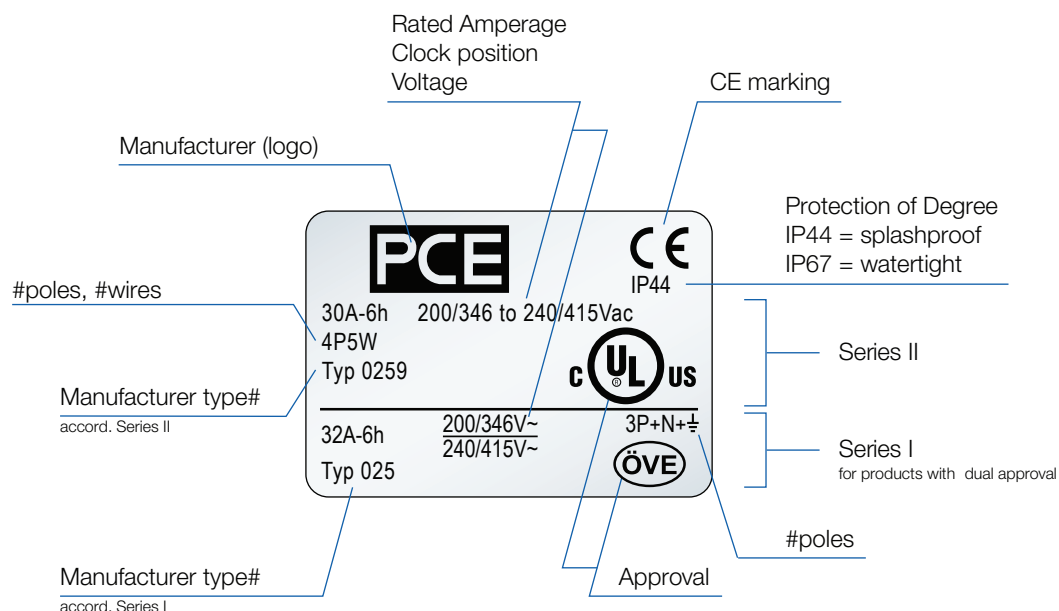


## RECOMMENDED TORQUE TABLE

Amp Rating	Terminal Screws for Plugs, Connectors, Receptacles, Inlets	Strain Relief for Plugs, Connectors	Housing Screws for Receptacles, Inlets
16A / 20A	1.0 Nm / 8.85 lbf-in	5 Nm / 44.3 lbf-in	1.1 Nm / 9.74 lbf-in
32A / 30A	1.1 Nm / 9.74 lbf-in	7 Nm / 62 lbf-in	1.1 Nm / 9.74 lbf-in

## MARKING (LABEL)

Example: Label 0259-6





# FIELDS OF APPLICATION (EXAMPLES)



## DATA CENTERS



## OEM BUSINESS AND POWER CORDS



## FILM AND EVENT INDUSTRY



# INDUSTRIAL MANUFACTURING



**... AND MANY MORE ...**



## OVERVIEW QUICK ORDERING SYSTEM

### 20/30A IP44 splashproof

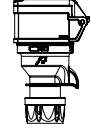
- with screw terminals
- housing material: PA6
- contacts: brass

To order nickel-plated contacts please add a "v" (e.g. 0139-6v).

#### PLUGS



#### CONNECTORS

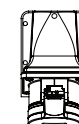


#### RECEPTACLES

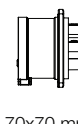


75x75 mm

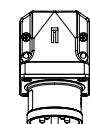
80x97 mm



#### INLETS



70x70 mm



Amps	Poles	Ground Pin	Voltage (colors)	SHARK	SHARK	flange straight	flange angled	wall mount	flange straight	wall mount
20A	2P3W (3p)	4h*	120Vac	0139-4	2139-4	3139-4f7	4139-4f8	11391-4	6139-4	5139-4
		5h	277Vac	0139-5	2139-5	3139-5f7	4139-5f8	11391-5	6139-5	5139-5
		6h*	250Vac	0139-6	2139-6	3139-6f7	4139-6f8	11391-6	6139-6	5139-6
		7h	480Vac	0139-7	2139-7	3139-7f7	4139-7f8	11391-7	6139-7	5139-7
	3P4W (4p)	5h	600Vac	0149-5	2149-5	3149-5f7	4149-5f8	11491-5	6149-5	5149-5
		6h*	380Vac	0149-6	2149-6	3149-6f7	4149-6f8	11491-6	6149-6	5149-6
		7h	480Vac	0149-7	2149-7	3149-7f7	4149-7f8	11491-7	6149-7	5149-7
		9h*	250Vac	0149-9	2149-9	3149-9f7	4149-9f8	11491-9	6149-9	5149-9
		12h	120/250Vac single phase	0149-12	2149-12	3149-12f7	4149-12f8	11491-12	6149-12	5149-12
	4P5W (5p)	5h	347/600Vac	0159-5	2159-5	3159-5f7	4159-5	11591-5	6159-5	5159-5
		6h*	200/346 to 240/415Vac	0159-6	2159-6	3159-6f7	4159-6	11591-6	6159-6	5159-6
		7h	277/480Vac	0159-7	2159-7	3159-7f7	4159-7	11591-7	6159-7	5159-7
		9h*	120/208Vac	0159-9	2159-9	3159-9f7	4159-9	11591-9	6159-9	5159-9

30A	2P3W (3p)	4h*	120Vac	0239-4	2239-4	3239-4f7	4239-4	12391-4	6239-4	5239-4
		5h	277Vac	0239-5	2239-5	3239-5f7	4239-5	12391-5	6239-5	5239-5
		6h*	250Vac	0239-6	2239-6	3239-6f7	4239-6	12391-6	6239-6	5239-6
		7h	480Vac	0239-7	2239-7	3239-7f7	4239-7	12391-7	6239-7	5239-7
	3P4W (4p)	3h	380,440Vac	0249-3	2249-3	3249-3f7	4249-3	12491-3	6249-3	5249-3
		5h	600Vac	0249-5	2249-5	3249-5f7	4249-5	12491-5	6249-5	5249-5
		6h*	380Vac	0249-6	2249-6	3249-6f7	4249-6	12491-6	6249-6	5249-6
		7h	480Vac	0249-7	2249-7	3249-7f7	4249-7	12491-7	6249-7	5249-7
		9h*	250Vac	0249-9	2249-9	3249-9f7	4249-9	12491-9	6249-9	5249-9
		12h	120/250Vac single phase	0249-12	2249-12	3249-12f7	4249-12	12491-12	6249-12	5249-12
	4P5W (5p)	5h	347/600Vac	0259-5 "h"	2259-5 "h"	3259-5f7	4259-5	12591-5	6259-5	5259-5
		6h*	200/346 to 240/415Vac	0259-6 "h"	2259-6 "h"	3259-6f7	4259-6	12591-6	6259-6	5259-6
		7h	277/480Vac	0259-7 "h"	2259-7 "h"	3259-7f7	4259-7	12591-7	6259-7	5259-7
		9h*	120/208Vac	0259-9 "h"	2259-9 "h"	3259-9f7	4259-9	12591-9	6259-9	5259-9

\* UL and ÖVE (dual approval)



"h" for large cable diameter (see specs)

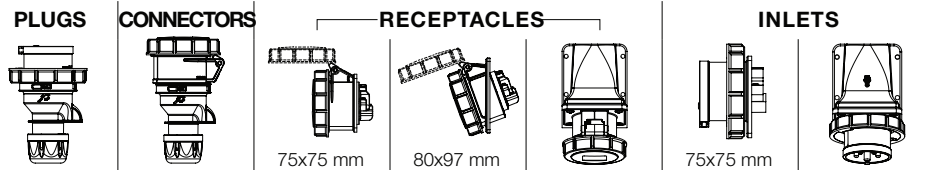


## OVERVIEW QUICK ORDERING SYSTEM

### 20/30A IP67 watertight

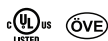
- with screw terminals
- housing material: PA6
- contacts: brass

To order nickel-plated contacts please add a "v" (e.g. 01392-6 v).



Amps	Poles	Ground Pin	Voltage (colors)	SHARK	SHARK	flange straight	flange angled	wall mount	flange straight	wall mount	
20A	2P3W (3p)	4h*	120Vac	01392-4	21392-4	31392-4	41392-4f8	11392-4	61392-4	51392-4k	
		5h	277Vac	01392-5	21392-5	31392-5	41392-5f8	11392-5	61392-5	51392-5k	
		6h*	250Vac	01392-6	21392-6	31392-6	41392-6f8	11392-6	61392-6	51392-6k	
		7h	480Vac	01392-7	21392-7	31392-7	41392-7f8	11392-7	61392-7	51392-7k	
	3P4W (4p)	5h	600Vac	01492-5	21492-5	31492-5	41492-5f8	11492-5	61492-5	51492-5k	
		6h*	380Vac	01492-6	21492-6	31492-6	41492-6f8	11492-6	61492-6	51492-6k	
		7h	480Vac	01492-7	21492-7	31492-7	41492-7f8	11492-7	61492-7	51492-7k	
		9h*	250Vac	01492-9	21492-9	31492-9	41492-9f8	11492-9	61492-9	51492-9k	
		12h	120/250Vac single phase	01492-12	21492-12	31492-12	41492-12f8	11492-12	61492-12	51492-12k	
	4P5W (5p)	5h	347/600Vac	01592-5	21592-5	31592-5	41592-5f78	11592-5	61592-5	51592-5k	
		6h*	200/346 to 240/415Vac	01592-6	21592-6	31592-6	41592-6f78	11592-6	61592-6	51592-6k	
		7h	277/480Vac	01592-7	21592-7	31592-7	41592-7f78	11592-7	61592-7	51592-7k	
		9h*	120/208Vac	01592-9	21592-9	31592-9	41592-9f78	11592-9	61592-9	51592-9k	
	30A	2P3W (3p)	4h*	120Vac	02392-4	22392-4	32392-4	42392-4f78	12392-4	62392-4	52392-4k
			5h	277Vac	02392-5	22392-5	32392-5	42392-5f78	12392-5	62392-5	52392-5k
			6h*	250Vac	02392-6	22392-6	32392-6	42392-6f78	12392-6	62392-6	52392-6k
7h			480Vac	02392-7	22392-7	32392-7	42392-7f78	12392-7	62392-7	52392-7k	
3P4W (4p)		3h	380,440Vac	02492-3	22492-3	32492-3	42492-3f78	12492-3	62492-3	52492-3k	
		5h	600Vac	02492-5	22492-5	32492-5	42492-5f78	12492-5	62492-5	52492-5k	
		6h*	380Vac	02492-6	22492-6	32492-6	42492-6f78	12492-6	62492-6	52492-6k	
		7h	480Vac	02492-7	22492-7	32492-7	42492-7f78	12492-7	62492-7	52492-7k	
		9h*	250Vac	02492-9	22492-9	32492-9	42492-9f78	12492-9	62492-9	52492-9k	
		12h	120/250Vac single phase	02492-12	22492-12	32492-12	42492-12f78	12492-12	62492-12	52492-12k	
4P5W (5p)		5h	347/600Vac	02592-5 "h"	22592-5 "h"	32592-5	42592-5f78	12592-5	62592-5	52592-5k	
		6h*	200/346 to 240/415Vac	02592-6 "h"	22592-6 "h"	32592-6	42592-6f78	12592-6	62592-6	52592-6k	
		7h	277/480Vac	02592-7 "h"	22592-7 "h"	32592-7	42592-7f78	12592-7	62592-7	52592-7k	
		9h*	120/208Vac	02592-9 "h"	22592-9 "h"	32592-9	42592-9f78	12592-9	62592-9	52592-9k	

\* UL and ÖVE (dual approval)



"h" for large cable diameter (see specs)

# Altech Corp.<sup>®</sup>



[www.altechcorp.com](http://www.altechcorp.com)

## Altech Corporation

35 Royal Road

Flemington, New Jersey

Tel: 908-806-9400

Fax: 908-806-9490

[info@altechcorp.com](mailto:info@altechcorp.com)