



**FEATURES**

- Current Monitoring 3-Phase
- 5A
- AC (16.6-400Hz)
- 2 x DPDT Outputs
- 22.5mm Wide Industrial Design

**FUNCTIONS**

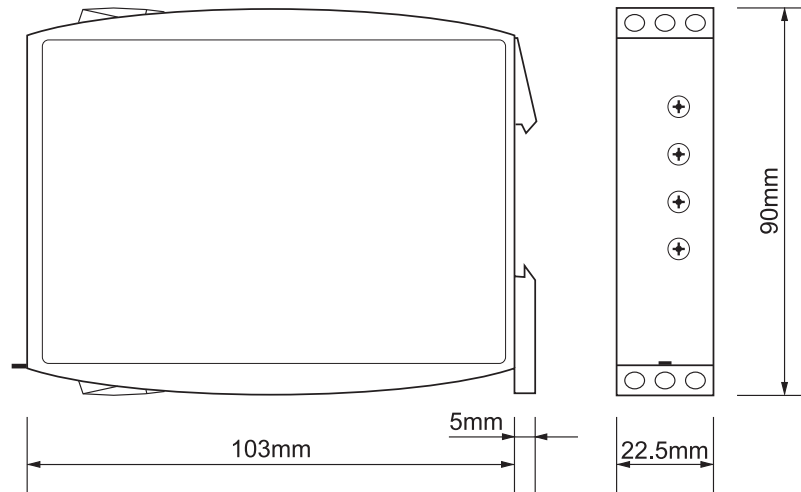
- Overcurrent monitoring
- Overcurrent monitoring + latch
- Undercurrent monitoring
- Undercurrent monitoring + latch
- Window function
- Window function + latch



**SPECIFICATIONS**

<p><b>Supply circuit</b></p> <p><b>Terminals/Connections</b> A1-A2 (galvanically separated)</p> <p><b>Supply Voltage</b> 24-240V AC/ DC</p> <p><b>Supply Voltage Tolerance</b> -15%..+10%</p> <p><b>Rated Frequency</b> 48 ... 400Hz (24-240VAC), 16-48Hz (48-240VAC)</p> <p><b>Power Consumption</b> 1.5 W (2 VA)</p> <p><b>Duty Cycle</b> 100%</p> <p><b>Reset Time</b> 100ms</p> <p><b>Residual Ripple</b> -</p> <p><b>Drop-out Voltage</b> &gt;30% of Supply</p> <p><b>Overvoltage Category</b> III (IEC 60661-1)</p> <p><b>Rated Surge Voltage</b> 4kV</p> <p><b>Rated Insulation Voltage</b> 400VAC</p>		<p><b>Output Circuit</b></p> <p><b>Output Configuration</b> 2 x DPDT (C/O)</p> <p><b>Terminals Output 1</b> 15-16-18</p> <p><b>Terminals Output 2</b> 25-26-28</p> <p><b>Output Contact Rating</b> 5A/ 250VAC</p> <p><b>Mechanical Life</b> 20 x 10<sup>6</sup> Switching cycles</p> <p><b>Electrical Life</b> 2 x 10<sup>5</sup> Switching cycles (1000 VA)</p> <p><b>Utilization Category</b> AC 15</p> <p><b>Switching Frequency</b> max. 60/min @ 100 VA resistive load max. 6/min @ 1000 VA resistive load (IEC 60947-5-1)</p> <p><b>Rated Surge Voltage</b> 4kV</p> <p><b>Overvoltage Category</b> III (IEC 60664-1)</p>	
<p><b>Time Delays</b></p> <p><b>Start-up Suppression time</b> 0-10s</p> <p><b>Trip Delay</b> 0.1-10s</p>		<p><b>Measuring Circuit</b></p> <p><b>Measurand</b> Current, 3-Phase, AC (16.6-400Hz)</p> <p><b>Measuring Range</b> 5A AC</p> <p><b>Terminals</b> K-I1, K-I2, K-I3</p> <p><b>Overload Capacity</b> 6A AC permanent</p> <p><b>Input Resistance</b> 10 Ω</p> <p><b>Switching Threshold Minimum</b> 5% - 95% I<sub>n</sub></p> <p><b>Switching Threshold Maximum</b> 10% - 100% I<sub>n</sub></p> <p><b>Rated Surge Voltage</b> 4kV</p> <p><b>Rated Insulation Voltage</b> 440V AC</p> <p><b>Overvoltage Category</b> III (IEC 60664-1)</p>	
<p><b>Indicators</b></p> <p><b>Green LED ON</b> Supply Voltage present</p> <p><b>Green LED Flashes</b> Start-up Suppression Time</p> <p><b>Yellow LED ON/OFF</b> Indicator Relay Output</p> <p><b>Red LED ON/OFF</b> Failure of corresponding threshold</p> <p><b>Red LED Flashes</b> Indicator tripping delay of corresponding threshold</p>		<p><b>Accuracy</b></p> <p><b>Base Accuracy</b> ≤3 % (from full scale)</p> <p><b>Adjustment Accuracy</b> ≤5 % (from full scale)</p> <p><b>Repetition Accuracy</b> ≤0.2 %</p> <p><b>Voltage Influence</b> N/A</p> <p><b>Temperature Influence</b> ≤0.05 % / °C</p> <p><b>Frequency Response</b> -10%..+5% (16.6..400 Hz)</p>	
<p><b>Mechanical/ Environmental Specs</b></p> <p><b>Housing Material</b> V2</p> <p><b>Protection Degree</b> IP40 (Enclosure) IP20 (Terminals)</p> <p><b>Mounting</b> DIN Rail</p> <p><b>Mounting Position</b> any</p> <p><b>Dimensions</b> 22.5 x 90 x 108 mm</p> <p><b>Stripping Length</b> 7 mm</p> <p><b>Terminal Torque</b> 1.0 Nm (8.5 lb.in)</p> <p><b>Wire size Terminals</b> 20-14AWG</p> <p><b>Ambient Temperature IEC</b> -25..+55°C (IEC 60068-1)</p> <p><b>Ambient Temperature UL</b> -25..+40°C (UL 508)</p> <p><b>Storage Temperature</b> -25..+70 °C</p> <p><b>Transport Temperature</b> -25..+70 °C</p> <p><b>Relative Humidity</b> 15%..85% (IEC 60721-3-3 class 3K3)</p> <p><b>Vibration Resistance</b> 10..55 Hz 0.35 mm (IEC 60068-2-6)</p> <p><b>Shock Resistance</b> 15 g 11 ms (IEC 60068-2-27)</p> <p><b>Pollution Degree</b> 3 (IEC 60664-1)</p> <p><b>Installation Altitude</b> Up to 2000 m above sea level</p>			

## Dimensions



## Wiring

G2JM5AL20, supply voltage 230V AC and current transformer

G2JM5AL20, supply voltage 230V AC with current transformer and fault latch

G2JM5AL20, supply voltage 24-240V AC/DC without fault latch

