



**FEATURES**

- Current Monitoring 1-Phase
- 20mA, 1A, 5A
- AC/ DC (16.6-400Hz)
- 2 x DPDT Outputs
- 22.5mm Wide Industrial Design

**FUNCTIONS**

- Overcurrent monitoring
- Overcurrent monitoring + latch
- Undercurrent monitoring
- Undercurrent monitoring + latch
- Window function
- Window function + latch



**SPECIFICATIONS**

Supply circuit	
Terminals/Connections	A1-A2 (galvanically separated)
Supply Voltage	24-240V AC/ DC
Supply Voltage Tolerance	-20% .. +25% (DC), -15%..+10% (AC)
Rated Frequency	48 ... 400Hz (24-240VAC), 16-48Hz (48-240VAC)
Power Consumption	1 W (4.5 VA)
Duty Cycle	100%
Reset Time	500ms
Residual Ripple	10% (DC)
Drop-out Voltage	>15% of Supply
Overvoltage Category	III (IEC 60661-1)
Rated surge Voltage	4kV
Rated Insulation Voltage	400VAC

Time Delays	
Start-up Suppression time	0-10s
Trip Delay	0.1-10s

Indicators	
Green LED ON	Supply Voltage present
Green LED flashes	Start-up Suppression Time
Yellow LED ON/OFF	Indicator Relay Output
Red LED ON/OFF	Failure of corresponding threshold
Red LED flashes	Indicator tripping delay of corresponding threshold

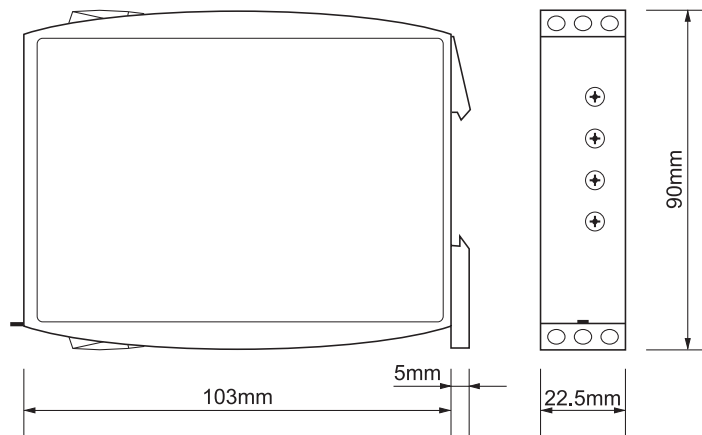
Mechanical/ Environmental Specs	
Housing Material	V2
Protection Degree	IP40 (Enclosure) IP20 (Terminals)
Mounting	DIN Rail
Mounting Position	any
Dimensions	22.5 x 90 x 108 mm
Stripping Length	7 mm
Terminal Torque	1.0 Nm (8.5 lb.in)
Wire size Terminals	20-14AWG
Ambient Temperature IEC	-25..+55°C (IEC 60068-1)
Ambient Temperature UL	-25..+40°C (UL 508)
Storage Temperature	-25..+70 °C
Transport Temperature	-25..+70 °C
Relative Humidity	15%..85% (IEC 60721-3-3 class 3K3)
Vibration Resistance	10..55 Hz 0.35 mm (IEC 60068-2-6)
Shock Resistance	15 g 11 ms (IEC 60068-2-27)
Pollution Degree	3 (IEC 60664-1)
Installation Altitude	Up to 2000 m above sea level

Output Circuit	
Output Configuration	2 x DPDT (C/O)
Terminals Output 1	15-16-18
Terminals Output 2	25-26-28
Output Contact Rating	5A/ 250VAC
Mechanical Life	20 x 10 <sup>6</sup> Switching cycles
Electrical Life	2 x 10 <sup>5</sup> Switching cycles (1000 VA)
Utilization Category	AC 15
Output ON State Voltage Drop	0.3 VDC @ 500 mA
Switching Frequency	max. 60/min @ 100 VA resistive load max. 6/min @ 1000 VA resistive load (IEC 60947-5-1)
Rated Surge Voltage	4kV
Overvoltage Category	III (IEC 60664-1)

Measuring circuit	
Measurand	Current, 1-Phase, AC/ DC (16.6-400Hz)
Measuring Range 1	20mA AC/ DC
Terminals Range 1	K-11(+)
Overload Capacity 1	250mA
Input resistance 1	2.7 Ω
Measuring Range 2	1A AC/ DC
Terminals Range 2	K-12(+)
Working Frequency	46-400 Hz
Overload Capacity 2	3A
Input Resistance 2	47 mΩ
Measuring Range 3	5A AC/ DC
Terminals Range 3	K-13(+)
Overload Capacity 3	10A
Input Resistance 3	10 mΩ
Switching Threshold Minimum	5% - 95% I <sub>n</sub>
Switching Threshold Maximum	10% - 100% I <sub>n</sub>
Rated surge Voltage	4kV
Rated Insulation Voltage	440V AC
Overvoltage Category	III (IEC 60664-1)

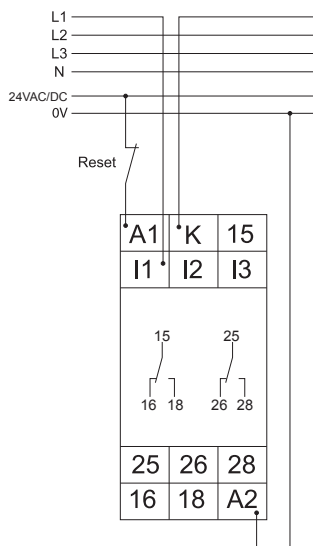
Accuracy	
Voltage	
Base Accuracy	≤3 % (from full scale)
Adjustment Accuracy	≤5 % (from full scale)
Repetition Accuracy	≤02 %
Voltage Influence	N/A
Temperature Influence	≤0.05 % / °C
Frequency Response	-10%..+5% (16.6..400 Hz)

## Dimensions

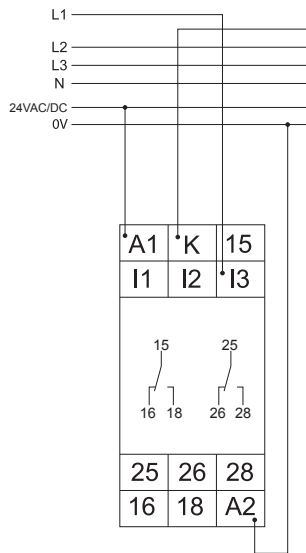


## Wiring

Range 20mA, supply voltage 24V a.c./d.c. and fault latch



Range 5A, supply voltage 24V a.c./d.c. without fault latch



Range 1A, supply voltage 230V a.c. and fault latch

