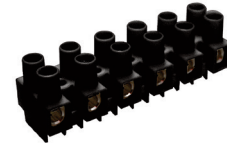
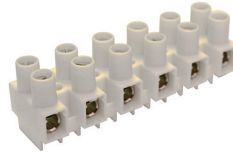


HE10H



HIGHLIGHTS

FEATURES

- 600V up to 63A
- Cost effective reliable wire-to-wire solution
- Easy to use double-row terminal strips
- Panel mount or free float
- Finger safe metal parts
- Wire protector
- easy to cut to required pole configuration
- Pre cut version in stock
- Color: white

APPLICATIONS

- HVAC
- Appliances
- Equipment
- Power Distribution
- Junction Boxes
- Cost effective alternative to barrier strips

Dimensions & Weight

Pitch Spacing	15 mm
Weight per piece (12 pole)	98.7 g

Technical Data/Ratings

Approvals		
Wire Size (solid / stranded)	18-8 AWG	6-10 mm ²
Voltage Rating	600 V	500 V
Current Rating	50 A	25 A
Torque	7.6 lb-in	0.84 Nm
Insulation Material	Polyamide 66/6 V0	
Insert Material	Tinned Brass	
Screw Material	Blue Chromated Steel	

Installation Instructions

Wire Stripping Length	6 mm
Mounting Hole Diameter	4.5 mm
Terminal Screw Size	M4

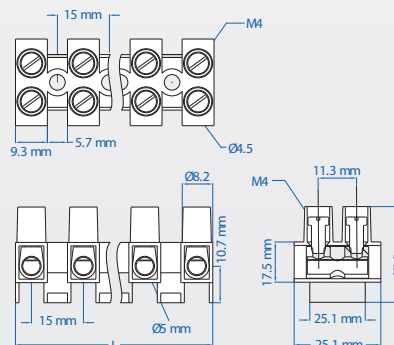
Terminal Strips

	Cat. No. <input type="checkbox"/>	Cat. No. <input checked="" type="checkbox"/>	Length	Std. Pk.
2 pole	HE10HWPR/02	HE10HWPR/02/BK	24.2 mm	40
3 pole	HE10HWPR/03	HE10HWPR/03/BK	39.2 mm	40
4 pole	HE10HWPR/04	HE10HWPR/04/BK	54.2 mm	40
5 pole	HE10HWPR/05	HE10HWPR/05/BK	69.2 mm	40
6 pole	HE10HWPR/06	HE10HWPR/06/BK	84.2 mm	20
7 pole	HE10HWPR/07	HE10HWPR/07/BK	99.2 mm	20
8 pole	HE10HWPR/08	HE10HWPR/08/BK	114.2 mm	20
9 pole	HE10HWPR/09	HE10HWPR/09/BK	129.2 mm	10
10 pole	HE10HWPR/10	HE10HWPR/10/BK	144.2 mm	10
11 pole	HE10HWPR/11	HE10HWPR/11/BK	159.2 mm	10
12 pole	HE10HWPR/12	HE10HWPR/12/BK	174.2 mm	10

Accessories

	Cat. No.	Std. Pk.
External Jumpers		
2 pole	HCL15-2	100
3 pole	HCL15-3	100
4 pole	HCL15-4	100
12 pole	HCL15-12	25

HE10H DIMENSIONS



(All dimensions are shown in mm, to convert to inches please divide by 25.4)