

HE6H



Dimensions & Weight

Pitch Spacing	12 mm
Weight per piece (12 pole)	49.1 g

Technical Data/Ratings

Approvals	
Wire Size (solid / stranded)	20-10 AWG / 4-6 mm ²
Voltage Rating	600 V / 500 V
Current Rating	40 A / 16 A
Torque	7.0 lb-in / 0.55 Nm
Insulation Material	Polyamide 66/6 V0
Insert Material	Tinned Brass
Terminal Screw Material	Blue Chromated Steel

Installation Instructions

Wire Stripping Length	5 mm
Mounting Hole Diameter	4.2 mm
Terminal Screw Size	M3.5

Terminal Strips

	Cat. No. <input type="checkbox"/>	Cat. No. <input checked="" type="checkbox"/>	Length	Std. Pk.
2 pole	HE6HWPR/02	HE6HWPR/02/BK	19.8 mm	100
3 pole	HE6HWPR/03	HE6HWPR/03/BK	31.8 mm	100
4 pole	HE6HWPR/04	HE6HWPR/04/BK	43.8 mm	100
5 pole	HE6HWPR/05	HE6HWPR/05/BK	55.8 mm	100
6 pole	HE6HWPR/06	HE6HWPR/06/BK	67.8 mm	50
7 pole	HE6HWPR/07	HE6HWPR/07/BK	79.8 mm	50
8 pole	HE6HWPR/08	HE6HWPR/08/BK	91.8 mm	50
9 pole	HE6HWPR/09	HE6HWPR/09/BK	103.8 mm	50
10 pole	HE6HWPR/10	HE6HWPR/10/BK	115.8 mm	25
11 pole	HE6HWPR/11	HE6HWPR/11/BK	127.8 mm	25
12 pole	HE6HWPR/12	HE6HWPR/12/BK	139.8 mm	25

Accessories

	Cat. No.	Std. Pk.
External Jumpers 2 pole	HCL12-2	100
3 pole	HCL12-3	100
4 pole	HCL12-4	100
12 pole	HCL12-12	25

HIGHLIGHTS

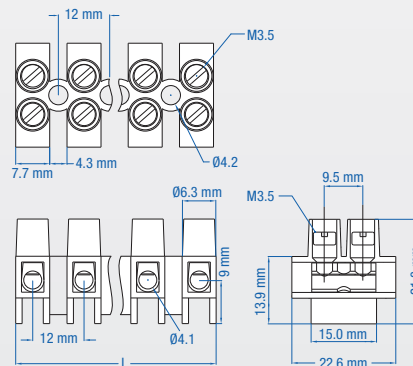
FEATURES

- 600V up to 63A
- Cost effective reliable wire-to-wire solution
- Easy to use double-row terminal strips
- Panel mount or free float
- Finger safe metal parts
- Wire protector
- easy to cut to required pole configuration
- Pre cut version in stock
- Color: white

APPLICATIONS

- HVAC
- Appliances
- Equipment
- Power Distribution
- Junction Boxes
- Cost effective alternative to barrier strips

HE6H DIMENSIONS



(All dimensions are shown in mm, to convert to inches please divide by 25.4)