

## HE4HN



## HIGHLIGHTS

### FEATURES

- 600V up to 63A
- Cost effective reliable wire-to-wire solution
- Easy to use double-row terminal strips
- Panel mount or free float
- Finger safe metal parts
- Wire protector
- easy to cut to required pole configuration
- Pre cut version in stock
- Color: white

### APPLICATIONS

- HVAC
- Appliances
- Equipment
- Power Distribution
- Junction Boxes
- Cost effective alternative to barrier strips

### Dimensions & Weight

Pitch Spacing	10 mm
Weight per piece (12 pole)	33.0 g

### Technical Data/Ratings

Approvals		
Wire Size (solid / stranded)	24-10 AWG	2.5-4 mm <sup>2</sup>
Voltage Rating	600 V	500 V
Current Rating	30 A	10 A
Torque	7.0 lb-in	0.4 Nm
Insulation Material	Polyamide 66/6 V0	
Insert Material	Tinned Brass	
Screw Material	Blue Chromated Steel	

### Installation Instructions

Wire Stripping Length	6 mm
Mounting Hole Diameter	3.6 mm
Terminal Screw Size	M3

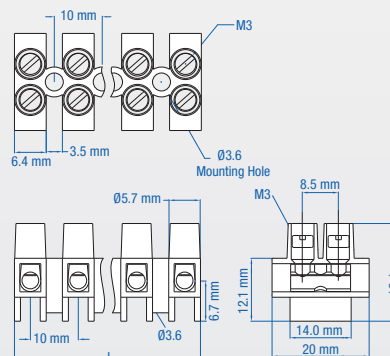
### Terminal Strips

	Cat. No. <input type="checkbox"/>	Cat. No. <input checked="" type="checkbox"/>	Length	Std. Pk.
2 pole	HE4HNWPR/02	HE4HNWPR/02/BK	16.4 mm	100
3 pole	HE4HNWPR/03	HE4HNWPR/03/BK	26.4 mm	100
4 pole	HE4HNWPR/04	HE4HNWPR/04/BK	36.4 mm	100
5 pole	HE4HNWPR/05	HE4HNWPR/05/BK	46.4 mm	100
6 pole	HE4HNWPR/06	HE4HNWPR/06/BK	56.4 mm	50
7 pole	HE4HNWPR/07	HE4HNWPR/07/BK	66.4 mm	50
8 pole	HE4HNWPR/08	HE4HNWPR/08/BK	76.4 mm	50
9 pole	HE4HNWPR/09	HE4HNWPR/09/BK	86.4 mm	50
10 pole	HE4HNWPR/10	HE4HNWPR/10/BK	96.4 mm	50
11 pole	HE4HNWPR/11	HE4HNWPR/11/BK	106.4 mm	50
12 pole	HE4HNWPR/12	HE4HNWPR/12/BK	116.4 mm	50

### Accessories

	Cat. No.	Std. Pk.
External Jumpers		
2 pole	HCL10-2	100
3 pole	HCL10-3	100
4 pole	HCL10-4	100
12 pole	HCL10-12	25

### HE4HN DIMENSIONS



(All dimensions are shown in mm, to convert to inches please divide by 25.4)