

HE16 Series



HIGHLIGHTS

FEATURES

- 300V up to 63A
- Cost effective reliable wire-to-wire solution
- Easy to use double-row terminal strips
- Panel mount or free float
- Finger safe metal parts
- Wire protector
- easy to cut to required pole configuration
- Pre cut version in stock
- Color: white/black

APPLICATIONS

- HVAC
- Appliances
- Equipment
- Power Distribution
- Junction Boxes
- Cost effective alternative to barrier strips

Dimensions & Weight

Pitch Spacing	15 mm
Weight per piece (12 pole)	94.5 g

Technical Data/Ratings

Approvals		
Wire Size (solid / stranded)	18-6 AWG	10-16 mm ²
Voltage Rating	300 V	400 V
Current Rating	63 A	35 A
Torque	17.7 lb-in	1.4 Nm
Insulation Material	Polyamide 66/6 V0	
Insert Material	Tinned Brass	
Terminal Screw Material	Blue Chromated Steel	

Installation Instructions

Wire Stripping Length	8.5 mm
Mounting Hole Diameter	4.5 mm
Terminal Screw Size	M5

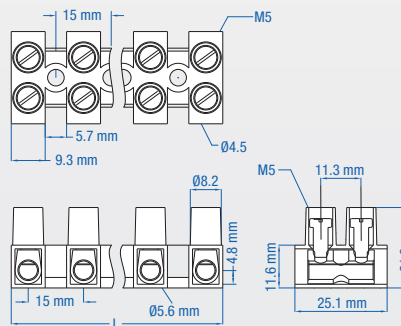
Terminal Strips

	Cat. No.	Cat. No.	Length	Std. Pk.
2 pole	HE16WPR/02	HE16WPR/02/BK	24.2 mm	50
3 pole	HE16WPR/03	HE16WPR/03/BK	39.2 mm	50
4 pole	HE16WPR/04	HE16WPR/04/BK	54.2 mm	50
5 pole	HE16WPR/05	HE16WPR/05/BK	69.2 mm	50
6 pole	HE16WPR/06	HE16WPR/06/BK	84.2 mm	25
7 pole	HE16WPR/07	HE16WPR/07/BK	99.2 mm	25
8 pole	HE16WPR/08	HE16WPR/08/BK	114.2 mm	25
9 pole	HE16WPR/09	HE16WPR/09/BK	129.2 mm	25
10 pole	HE16WPR/10	HE16WPR/10/BK	144.2 mm	10
11 pole	HE16WPR/11	HE16WPR/11/BK	159.2 mm	10
12 pole	HE16WPR/12	HE16WPR/12/BK	174.2 mm	10

Accessories

	Cat. No.	Std. Pk.	
External Jumpers	2 pole	HCL15-2	100
	3 pole	HCL15-3	100
	4 pole	HCL15-4	100
	12 pole	HCL15-12	25

HE16 DIMENSIONS



(All dimensions are shown in mm, to convert to inches please divide by 25.4)