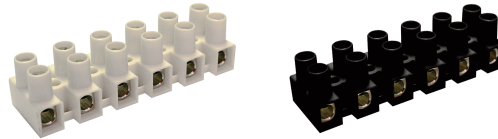


FLAT BASE FEET PANEL MOUNT 300 V - WIRE PROTECTOR

HE10 Series



Dimensions & Weight

Pitch Spacing	15 mm
Weight per piece (12 pole)	95.5 g

Technical Data/Ratings

Approvals	
Wire Size (solid / stranded)	18-8 AWG / 6-10 mm ²
Voltage Rating	300 V / 400 V
Current Rating	50 A / 25 A
Torque	10.6 lb-in / 0.84 Nm
Insulation Material	Polyamide 66/6 V0
Insert Material	Tinned Brass
Terminal Screw Material	Blue Chromated Steel

Installation Instructions

Wire Stripping Length	8.5 mm
Mounting Hole Diameter	4.5 mm
Terminal Screw Size	M4

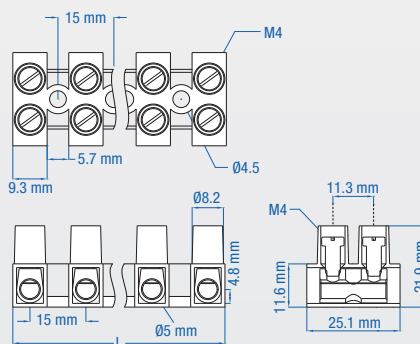
Terminal Strips

	Cat. No. <input type="checkbox"/>	Cat. No. <input checked="" type="checkbox"/>	Length	Std. Pk.
2 pole	HE10WPR/02	HE10WPR/02/BK	24.2 mm	50
3 pole	HE10WPR/03	HE10WPR/03/BK	39.2 mm	50
4 pole	HE10WPR/04	HE10WPR/04/BK	54.2 mm	50
5 pole	HE10WPR/05	HE10WPR/05/BK	69.2 mm	50
6 pole	HE10WPR/06	HE10WPR/06/BK	84.2 mm	25
7 pole	HE10WPR/07	HE10WPR/07/BK	99.2 mm	25
8 pole	HE10WPR/08	HE10WPR/08/BK	114.2 mm	25
9 pole	HE10WPR/09	HE10WPR/09/BK	129.2 mm	25
10 pole	HE10WPR/10	HE10WPR/10/BK	144.2 mm	10
11 pole	HE10WPR/11	HE10WPR/11/BK	159.2 mm	10
12 pole	HE10WPR/12	HE10WPR/12/BK	174.2 mm	10

Accessories

	Cat. No.	Std. Pk.	
External Jumpers	2 pole	HCL15-2	100
	3 pole	HCL15-3	100
	4 pole	HCL15-4	100
	12 pole	HCL15-12	25
Marking Plates	Blank	BS1016E	25
	No. 1-12	BS1016EM1-12	25
	No. 13-24	BS1016EM13-24	25

HE10 DIMENSIONS



(All dimensions are shown in mm, to convert to inches please divide by 25.4)

HIGHLIGHTS

FEATURES

- 300V up to 63A
- Cost effective reliable wire-to-wire solution
- Easy to use double-row terminal strips
- Panel mount or free float
- Finger safe metal parts
- Wire protector
- easy to cut to required pole configuration
- Pre cut version in stock
- Color: white/black

APPLICATIONS

- HVAC
- Appliances
- Equipment
- Power Distribution
- Junction Boxes
- Cost effective alternative to barrier strips