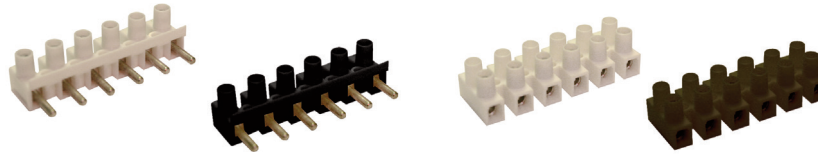


PLUGGABLE PANEL MOUNT 600 V - WIRE PROTECTOR

HE42SST

HE42SBU



HIGHLIGHTS

FEATURES

- Plug & Socket
- Cost effective reliable wire-to-wire solution
- Easy to use double-row terminal strips
- Panel mount or free float
- Finger safe metal parts
- Wire protector
- easy to cut to required pole configuration
- Pre cut version in stock
- 300V / 600V up to 63A
- Color: white

APPLICATIONS

- HVAC
- Appliances
- Equipment
- Power Distribution
- Junction Boxes
- Cost effective alternative to barrier strips

Dimensions & Weight

| | |
|----------------------------|--------|
| Pitch Spacing | 10 mm |
| Weight per piece (12 pole) | 30.6 g |

Technical Data/Ratings

| | | |
|------------------------------|----------------------|-----------------------|
| Approvals | | |
| Wire Size (solid / stranded) | 24-10 AWG | 2.5-4 mm ² |
| Voltage Rating | 600 V | 500 V |
| Current Rating | 20 A | 10 A |
| Torque | 7.0 lb-in | 0.4 Nm |
| Insulation Material | Polyamide 66/6 VO | |
| Insert Material | Tinned Brass | |
| Terminal Screw Material | Blue Chromated Steel | |

Installation Instructions

| | HE42SST | HE42SBU |
|------------------------|---------|---------|
| Wire Stripping Length | 7 mm | 6 mm |
| Mounting Hole Diameter | 3.0 mm | 3.6 mm |
| Terminal Screw Size | M3.5 | M4 |

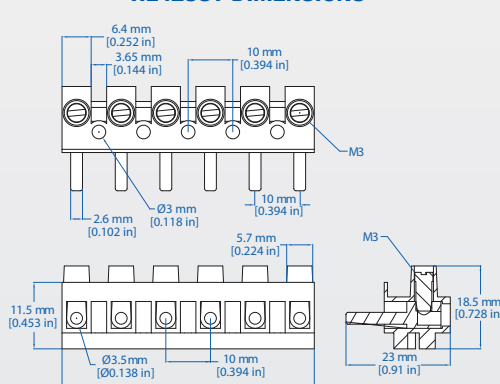
Terminal Strips

| | HE42SST | | HE42SBU | | Length | Std. Pk. |
|---------|-----------------------------------|--|-----------------------------------|--|----------|----------|
| | Cat. No. <input type="checkbox"/> | Cat. No. <input checked="" type="checkbox"/> | Cat. No. <input type="checkbox"/> | Cat. No. <input checked="" type="checkbox"/> | | |
| 2 pole | HE42SST/02 | HE42SST/02/BK | HE42SBU/02 | HE42SBU/02/BK | 16.4 mm | 100 |
| 3 pole | HE42SST/03 | HE42SST/03/BK | HE42SBU/03 | HE42SBU/03/BK | 26.4 mm | 100 |
| 4 pole | HE42SST/04 | HE42SST/04/BK | HE42SBU/04 | HE42SBU/04/BK | 36.4 mm | 100 |
| 5 pole | HE42SST/05 | HE42SST/05/BK | HE42SBU/05 | HE42SBU/05/BK | 46.4 mm | 100 |
| 6 pole | HE42SST/06 | HE42SST/06/BK | HE42SBU/06 | HE42SBU/06/BK | 56.4 mm | 50 |
| 7 pole | HE42SST/07 | HE42SST/07/BK | HE42SBU/07 | HE42SBU/07/BK | 66.4 mm | 50 |
| 8 pole | HE42SST/08 | HE42SST/08/BK | HE42SBU/08 | HE42SBU/08/BK | 76.4 mm | 50 |
| 9 pole | HE42SST/09 | HE42SST/09/BK | HE42SBU/09 | HE42SBU/09/BK | 86.4 mm | 50 |
| 10 pole | HE42SST/10 | HE42SST/10/BK | HE42SBU/10 | HE42SBU/10/BK | 96.4 mm | 50 |
| 11 pole | HE42SST/11 | HE42SST/11/BK | HE42SBU/11 | HE42SBU/11/BK | 106.4 mm | 50 |
| 12 pole | HE42SST/12 | HE42SST/12/BK | HE42SBU/12 | HE42SBU/12/BK | 116.4 mm | 50 |

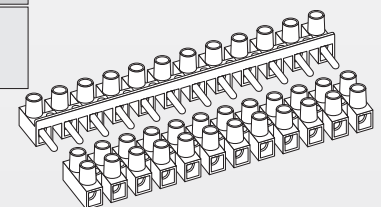
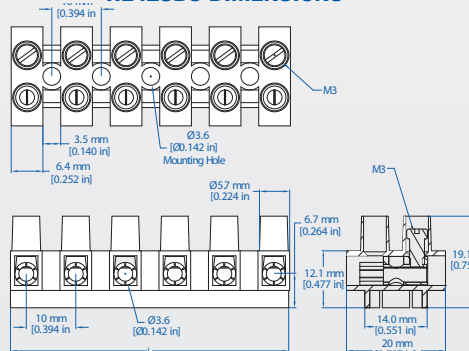
Accessories

| | Cat. No. | Std. Pk. | |
|------------------|-----------|-------------|-----|
| External Jumpers | 2 pole | HCL10-2 | 100 |
| | 3 pole | HCL10-3 | 100 |
| | 4 pole | HCL10-4 | 100 |
| | 12 pole | HCL10-12 | 25 |
| Marking Plates | Blank | BS24E | 25 |
| | No. 1-12 | BS24EM1-12 | 25 |
| | No. 13-24 | BS24EM13-24 | 25 |

HE42SST DIMENSIONS



HE42SBU DIMENSIONS



(All dimensions are shown in mm, to convert to inches please divide by 25.4)