

HIGHLIGHTS

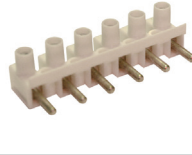
FEATURES

- Plug & Socket
- Cost effective reliable wire-to-wire solution
- Easy to use double-row terminal strips
- Panel mount or free float
- Finger safe metal parts
- Wire protector
- easy to cut to required pole configuration
- Pre cut version in stock
- 300V / 600V up to 63A
- Color: white

APPLICATIONS

- HVAC
- Appliances
- Equipment
- Power Distribution
- Junction Boxes
- Cost effective alternative to barrier strips

HE42ST



HE42BU



Dimensions & Weight

Pitch Spacing	10 mm
Weight per piece (12 pole)	30.6 g

Technical Data/Ratings

Approvals		
Wire Size (solid / stranded)	24-10 AWG	2.5-4 mm ²
Voltage Rating	300 V	400 V
Current Rating	20 A	10 A
Torque	7.0 lb-in	0.4 Nm
Insulation Material	Polyamide 66/6 V0	
Insert Material	Tinned Brass	
Terminal Screw Material	Blue Chromated Steel	

Installation Instructions

	HE42ST	HE42BU
Wire Stripping Length	7 mm	6 mm
Mounting Hole Diameter	3.0 mm	3.6 mm
Terminal Screw Size	M2.6	M3

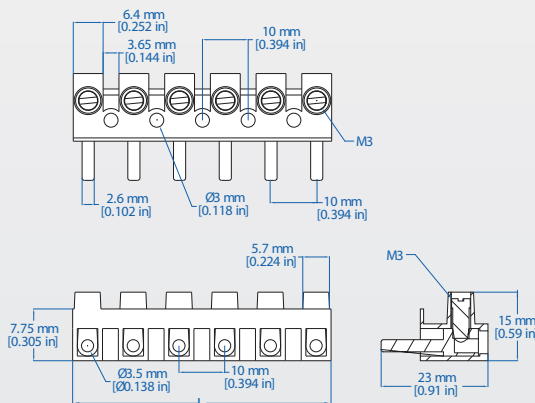
Terminal Strips

	HE42ST		HE42BU		Length	Std. Pk.
	Cat. No. <input type="checkbox"/>	Cat. No. <input checked="" type="checkbox"/>	Cat. No. <input type="checkbox"/>	Cat. No. <input checked="" type="checkbox"/>		
2 pole	HE42ST/02	HE42ST/02/BK	HE42BU/02	HE42BU/02/BK	16.4 mm	100
3 pole	HE42ST/03	HE42ST/03/BK	HE42BU/03	HE42BU/03/BK	26.4 mm	100
4 pole	HE42ST/04	HE42ST/04/BK	HE42BU/04	HE42BU/04/BK	36.4 mm	100
5 pole	HE42ST/05	HE42ST/05/BK	HE42BU/05	HE42BU/05/BK	46.4 mm	100
6 pole	HE42ST/06	HE42ST/06/BK	HE42BU/06	HE42BU/06/BK	56.4 mm	50
7 pole	HE42ST/07	HE42ST/07/BK	HE42BU/07	HE42BU/07/BK	66.4 mm	50
8 pole	HE42ST/08	HE42ST/08/BK	HE42BU/08	HE42BU/08/BK	76.4 mm	50
9 pole	HE42ST/09	HE42ST/09/BK	HE42BU/09	HE42BU/09/BK	86.4 mm	50
10 pole	HE42ST/10	HE42ST/10/BK	HE42BU/10	HE42BU/10/BK	96.4 mm	50
11 pole	HE42ST/11	HE42ST/11/BK	HE42BU/11	HE42BU/11/BK	106.4 mm	50
12 pole	HE42ST/12	HE42ST/12/BK	HE42BU/12	HE42BU/12/BK	116.4 mm	50

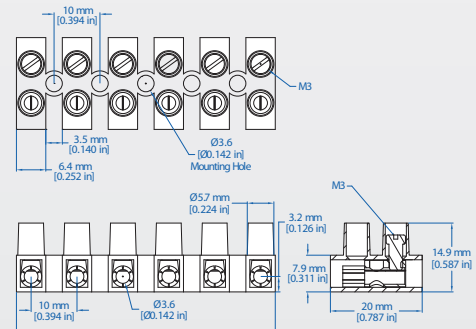
Accessories

	Cat. No.	Std. Pk.	
External Jumpers	2 pole	HCL10-2	100
	3 pole	HCL10-3	100
	4 pole	HCL10-4	100
	12 pole	HCL10-12	25
Marking Plates	Blank	BS24E	25
	No. 1-12	BS24EM1-12	25
	No. 13-24	BS24EM13-24	25

HE42ST DIMENSIONS



HE42BU DIMENSIONS



(All dimensions are shown in mm, to convert to inches please divide by 25.4)