

HE16H



Dimensions & Weight

Pitch Spacing	15 mm
Weight per piece (12 pole)	99.3 g

Technical Data/Ratings

Approvals	
Wire Size (solid / stranded)	18-6 AWG / 10-16 mm ²
Voltage Rating	600 V / 500 V
Current Rating	63 A / 35 A
Torque	17.7 lb-in / 1.4 Nm
Insulation Material	Polyamide 66/6 V0
Insert Material	Tinned Brass
Terminal Screw Material	Blue Chromated Steel

Installation Instructions

Wire Stripping Length	6 mm
Mounting Hole Diameter	4.5 mm
Terminal Screw Size	M5

Terminal Strips

	Cat. No. <input type="checkbox"/>	Cat. No. <input checked="" type="checkbox"/>	Length	Std. Pk.
2 pole	HE16HWPR/02	HE16HWPR/02/BK	24.2 mm	40
3 pole	HE16HWPR/03	HE16HWPR/03/BK	39.2 mm	40
4 pole	HE16HWPR/04	HE16HWPR/04/BK	54.2 mm	40
5 pole	HE16HWPR/05	HE16HWPR/05/BK	69.2 mm	40
6 pole	HE16HWPR/06	HE16HWPR/06/BK	84.2 mm	20
7 pole	HE16HWPR/07	HE16HWPR/07/BK	99.2 mm	20
8 pole	HE16HWPR/08	HE16HWPR/08/BK	114.2 mm	20
9 pole	HE16HWPR/09	HE16HWPR/09/BK	129.2 mm	10
10 pole	HE16HWPR/10	HE16HWPR/10/BK	144.2 mm	10
11 pole	HE16HWPR/11	HE16HWPR/11/BK	159.2 mm	10
12 pole	HE16HWPR/12	HE16HWPR/12/BK	174.2 mm	10

Accessories

	Cat. No.	Std. Pk.
External Jumpers 2 pole	HCL15-2	100
3 pole	HCL15-3	100
4 pole	HCL15-4	100
12 pole	HCL15-12	25

HIGHLIGHTS

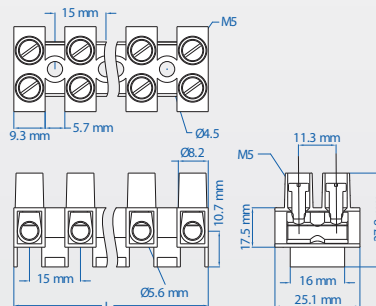
FEATURES

- 600V up to 63A
- Cost effective reliable wire-to-wire solution
- Easy to use double-row terminal strips
- Panel mount or free float
- Finger safe metal parts
- Wire protector
- easy to cut to required pole configuration
- Pre cut version in stock
- Color: white

APPLICATIONS

- HVAC
- Appliances
- Equipment
- Power Distribution
- Junction Boxes
- Cost effective alternative to barrier strips

HE16H DIMENSIONS



(All dimensions are shown in mm, to convert to inches please divide by 25.4)