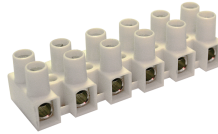


## HE1 Series



### HIGHLIGHTS

#### FEATURES

- 300V up to 63A
- Cost effective reliable wire-to-wire solution
- Easy to use double-row terminal strips
- Panel mount or free float
- Finger safe metal parts
- Wire protector
- easy to cut to required pole configuration
- Pre cut version in stock
- Color: white/black

#### APPLICATIONS

- HVAC
- Appliances
- Equipment
- Power Distribution
- Junction Boxes
- Cost effective alternative to barrier strips

#### Dimensions & Weight

Pitch Spacing	8 mm
Weight per piece (12 pole)	16.2 g

#### Technical Data/Ratings

Approvals		
Wire Size (solid / stranded)	24-12 AWG	1-2.5 mm <sup>2</sup>
Voltage Rating	300 V	400 V
Current Rating	20 A	6 A
Torque	4.4 lb-in	0.35 Nm
Insulation Material	Polyamide 66/6 V0	
Insert Material	Tinned Brass	
Terminal Screw Material	Blue Chromated Steel	

#### Installation Instructions

Wire Stripping Length	5 mm
Mounting Hole Diameter	3.0 mm
Terminal Screw Size	M2.6

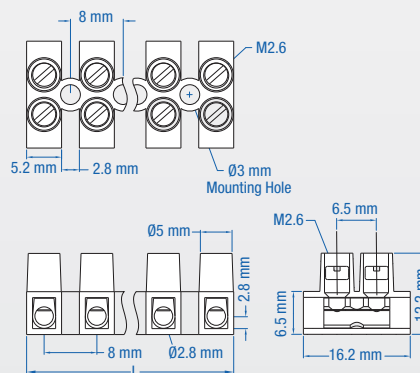
#### Terminal Strips

	Cat. No.	Cat. No.	Length	Std. Pk.
2 pole	HE1WPR/02	HE1WPR/02/BK	13.2 mm	100
3 pole	HE1WPR/03	HE1WPR/03/BK	21.2 mm	100
4 pole	HE1WPR/04	HE1WPR/04/BK	29.2 mm	100
5 pole	HE1WPR/05	HE1WPR/05/BK	37.2 mm	100
6 pole	HE1WPR/06	HE1WPR/06/BK	45.2 mm	50
7 pole	HE1WPR/07	HE1WPR/07/BK	53.2 mm	50
8 pole	HE1WPR/08	HE1WPR/08/BK	61.2 mm	50
9 pole	HE1WPR/09	HE1WPR/09/BK	69.2 mm	50
10 pole	HE1WPR/10	HE1WPR/10/BK	77.2 mm	50
11 pole	HE1WPR/11	HE1WPR/11/BK	85.2 mm	50
12 pole	HE1WPR/12	HE1WPR/12/BK	93.2 mm	50

#### Accessories

	Cat. No.	Std. Pk.
External Jumpers	2 pole HCL8-2	100
	3 pole HCL8-3	100
	4 pole HCL8-4	100
	12 pole HCL8-12	25

#### HE1 DIMENSIONS



(All dimensions are shown in mm, to convert to inches please divide by 25.4)