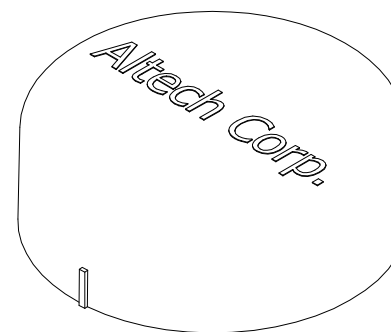
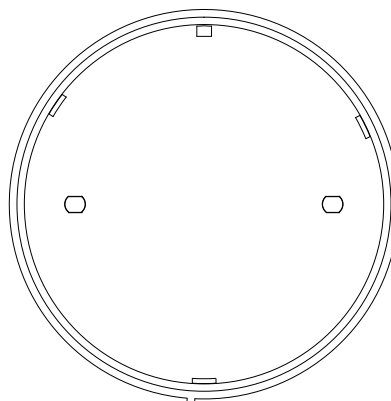
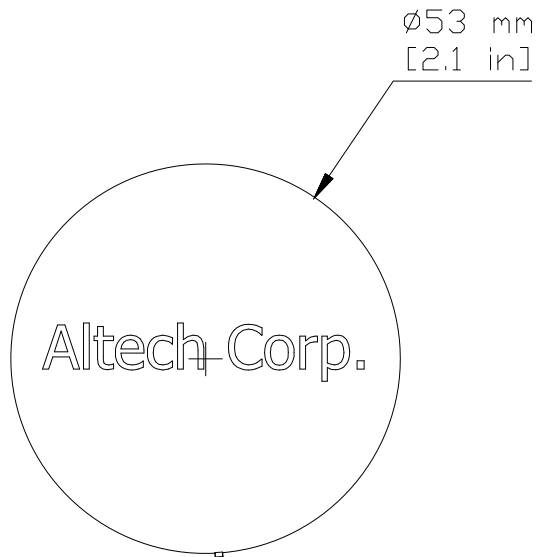
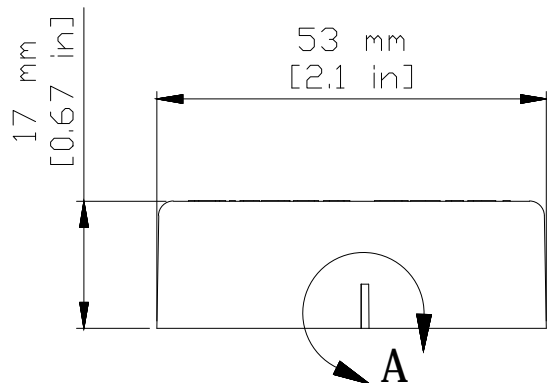


REVISIONS FOR DWG # TL22004

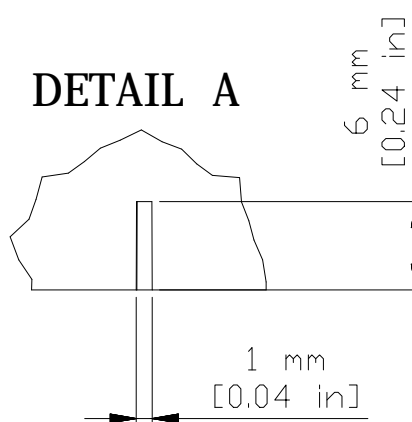
REV	CH.NO.	DESCRIPTION	DATE	REVISED BY
-	-	ORIGINAL DESIGN	08/18/15	ARON G



Interactive 3D Model



DETAIL A



UNLESS OTHERWISE SPECIFIED
 • ALL DIMENSIONS ARE IN MILLIMETERS
 • THIRD ANGLE PROJECTION

• TOLERANCE		
XX	ID	1.00 mm
XX.X	ID	0.50 mm
XX.XX	ID	0.20 mm
ALL	ID	XX mm

C-RTM

This Drawing is the property of

Altech Corp.

35 Royal Road
 Flemington NJ 08822-6000
 (908) 806-9400 • Fax (908) 806-9490

AND IS A CONFIDENTIAL DISCLOSURE
 LENT WITHOUT CONSIDERATION OTHER
 THAN THE BORROWER'S AGREEMENT
 THAT IT SHALL NOT BE REPRODUCED,
 COPIED, LENT, OR DISPOSED OF
 DIRECTLY OR INDIRECTLY NOR USED
 FOR ANY PURPOSE OTHER THAN THAT
 FOR WHICH IT IS SPECIFICALLY
 FURNISHED.

TITLE: Tower Light Upper Cap
 PN: TL22004

DRAWN BY: Aron Gyorgypal	08/19/15
CHECKED BY: Laszlo G	08/19/15
RELEASED BY: Laszlo G	08/19/15

DRAWING NO.:	M-Cad-21-TL22004	REV.:	-
SCALE:	-	SHEET: 1	OF: 1