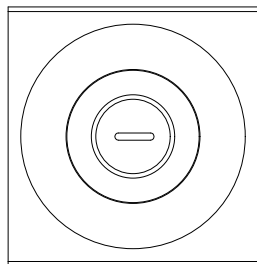
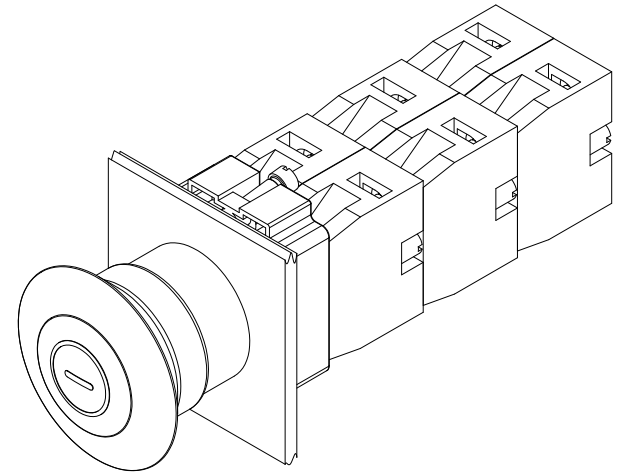
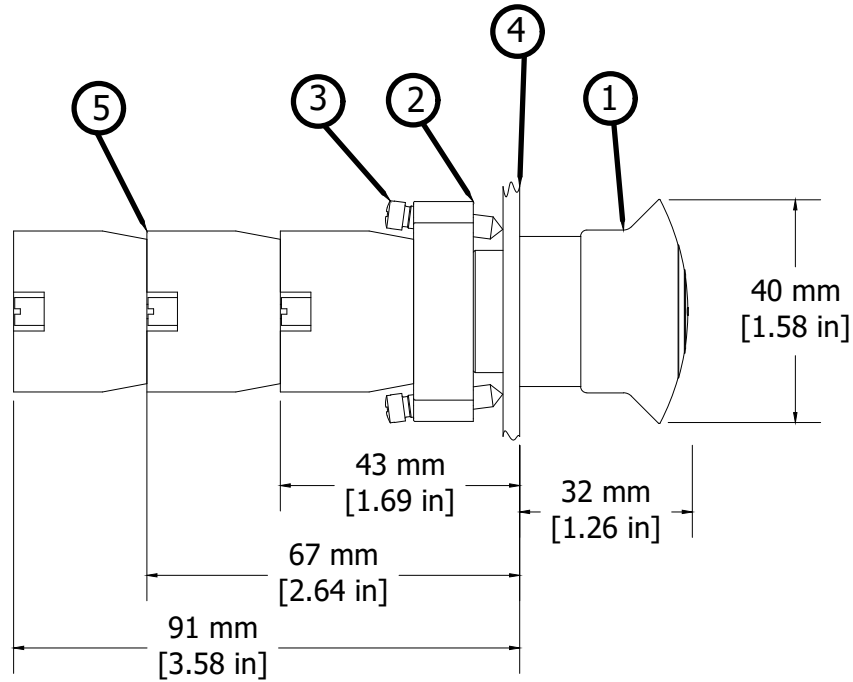


REVISIONS FOR DWG # 2AMPPX

REV	CH.NO.	DESCRIPTION	DATE	REVISED BY
-	-	ORIGINAL DESIGN	07/15/16	ARON G



ITEM	DESCRIPTION	CAT. NO.	COLOR	MIN. QTY.	MAX. QTY.
1	Mushroom Push-Pull Operator (comes with mounting bracket 2BRK)	2AMPP1	White	1	1
		2AMPP2	Black	1	1
		2AMPP3	Green	1	1
		2AMPP4	Red	1	1
		2AMPP6	Blue	1	1
		2AMPP8	Yellow	1	1
2	Mounting Bracket	2BRK	-	1	1
3	Mounting Bracket Screws	incl. in 2BRK	-	2	2
4	Panel	-	-	-	-
5	Switch Contacts	S1	Green	1	6
		S2	Red	1	6
		S3	Green/Gray	1	6
		S4	Red/Gray	1	6

UNLESS OTHERWISE SPECIFIED
 • ALL DIMENSIONS ARE IN MILLIMETERS
 • THIRD ANGLE PROJECTION

• TOLERANCE	
XX	± 1.00mm
XX.X	± 0.50 mm
XX.XX	± 0.20 mm
ALL	± .xxmm

CIRTEK

This Drawing is the property of

Altech Corp.[®]

35 Royal Road
 Flemington NJ 08822-6000
 (908) 806-9400 • Fax (908) 806-9490

AND IS A CONFIDENTIAL DISCLOSURE LENT WITHOUT CONSIDERATION OTHER THAN THE BORROWER'S AGREEMENT THAT IT SHALL NOT BE REPRODUCED, COPIED, LENT, OR DISPOSED OF DIRECTLY OR INDIRECTLY NOR USED FOR ANY PURPOSE OTHER THAN THAT FOR WHICH IT IS SPECIFICALLY FURNISHED.

TITLE: 22mm Non-Illuminated Mushroom Metal Operator Push-Pull, PN: 2AMPPX

DRAWN BY: Aron Gyorgypal	07/15/16	DRAWING NO.:	M-Cad-1PB-2AMPPX	REV.:	-
CHECKED BY: Laszlo G	07/15/16	SCALE:	-	SHEET:	1 OF: 1
RELEASED BY: Laszlo G	07/15/16				