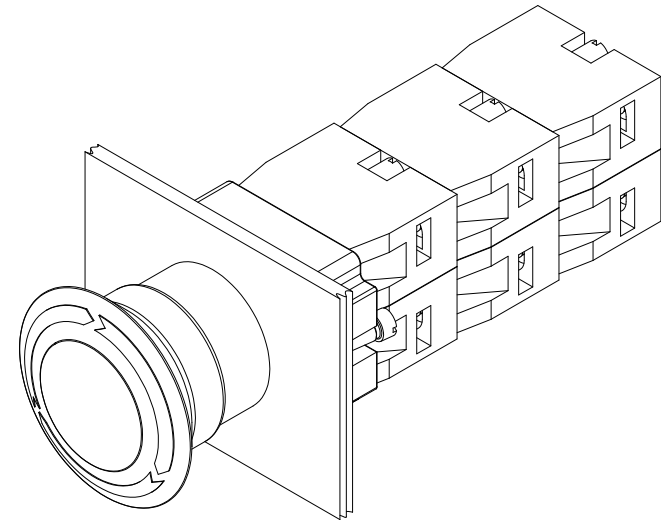
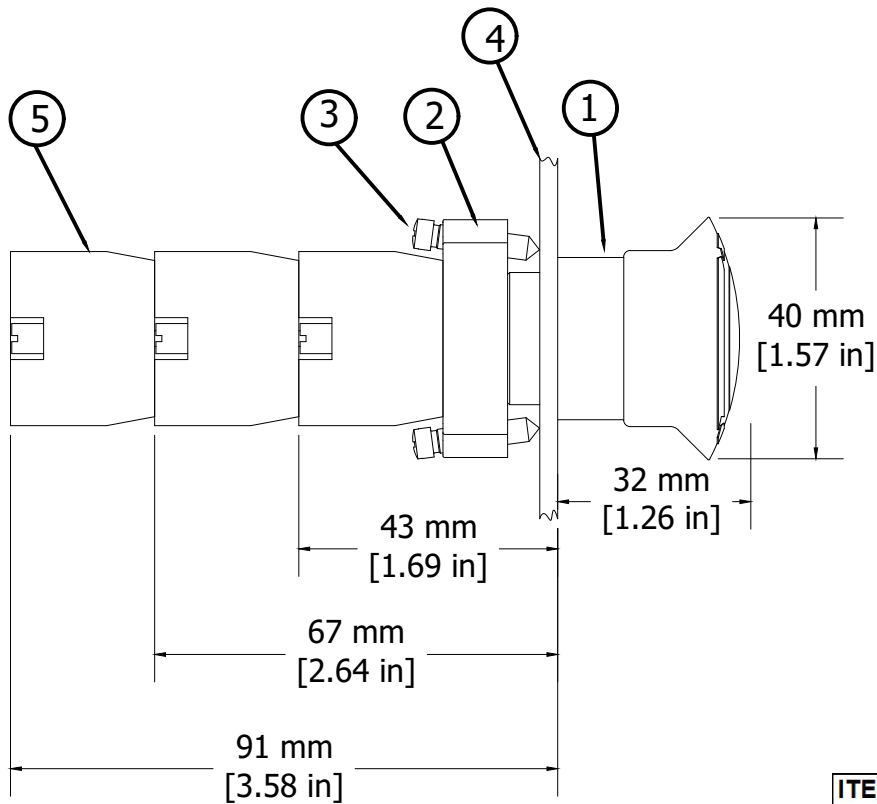


REVISIONS FOR DWG # 2AMLX

REV	CH.NO.	DESCRIPTION	DATE	REVISED BY
-	-	ORIGINAL DESIGN	07/15/16	ARON G



ITEM	DESCRIPTION	CAT. NO.	COLOR	MIN. QTY.	MAX. QTY.
1	Mushroom Push-Turn Operator (comes with mounting bracket 2BRK)	2AML1	White	1	1
		2AML2	Black	1	1
		2AML3	Green	1	1
		2AML4	Red	1	1
		2AML6	Blue	1	1
		2AML8	Yellow	1	1
2	Mounting Bracket	2BRLK	-	1	1
3	Mounting Bracket Screws	incl. in 2BRK	-	2	2
4	Panel	-	-	-	-
5	Switch Contacts	S1	Green	1	6
		S2	Red	1	6
		S3	Green/Gray	1	6
		S4	Red/Gray	1	6

UNLESS OTHERWISE SPECIFIED
 • ALL DIMENSIONS ARE IN MILLIMETERS
 • THIRD ANGLE PROJECTION

• TOLERANCE	
XX	1.00 mm
XX.X	0.50 mm
XX.XX	0.20 mm
ALL	XX mm

ORTHOM

This Drawing is the property of

Altrech Corp.[®]

35 Royal Road
 Flemington NJ 08822-6000
 (908) 806-9400 • Fax (908) 806-9490

AND IS A CONFIDENTIAL DISCLOSURE LENT WITHOUT CONSIDERATION OTHER THAN THE BORROWER'S AGREEMENT THAT IT SHALL NOT BE REPRODUCED, COPIED, LENT, OR DISPOSED OF DIRECTLY OR INDIRECTLY NOR USED FOR ANY PURPOSE OTHER THAN THAT FOR WHICH IT IS SPECIFICALLY FURNISHED.

TITLE: 22mm Non-Illuminated Mushroom Metal Operator Push-Turn, PN:2AMLX

DRAWN BY: Aron Gyorgypal	07/15/16
CHECKED BY: Laszlo G	07/15/16
RELEASED BY: Laszlo G	07/15/16

DRAWING NO.:	M-Cad-1PB-2AMLX	REV.:	-
SCALE:	-	SHEET:	1 OF: 1