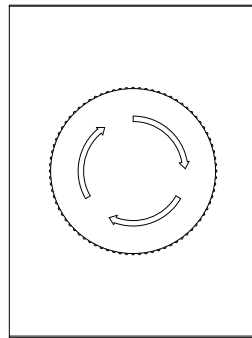
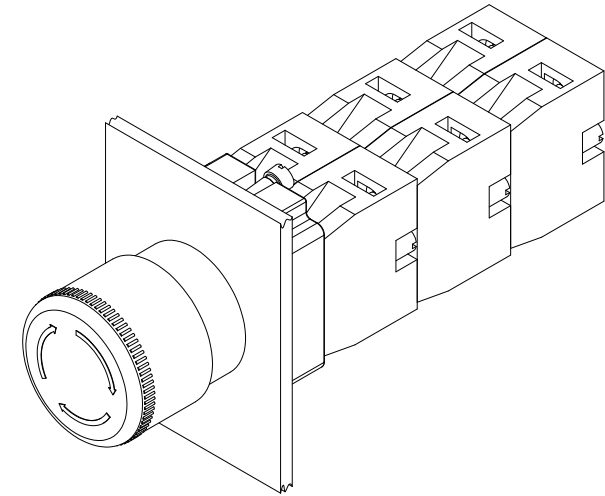
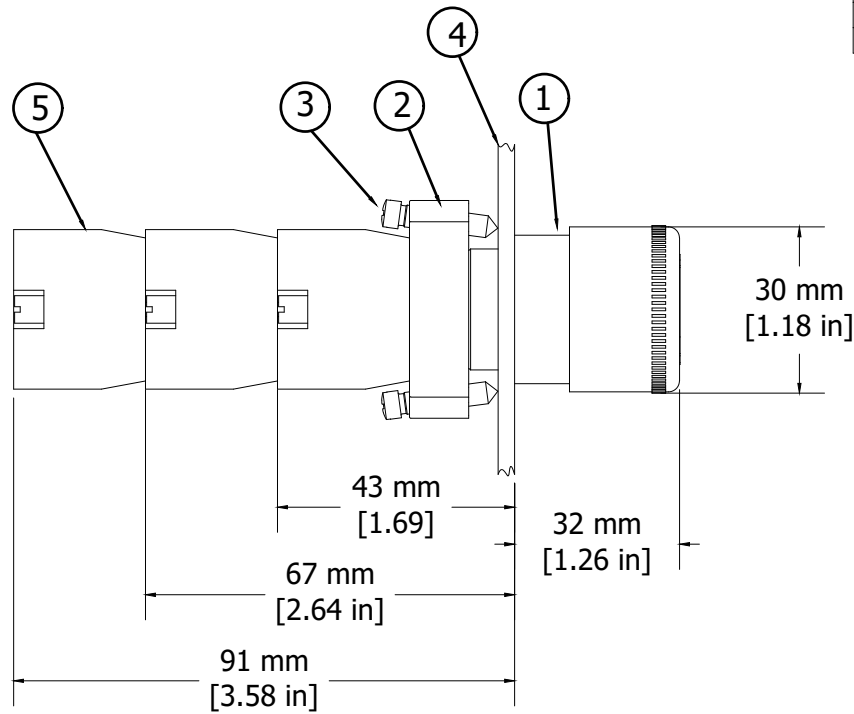


REVISIONS FOR DWG # 2AMLSX

REV	CH.NO.	DESCRIPTION	DATE	REVISED BY
-	-	ORIGINAL DESIGN	07/15/16	ARON G



ITEM	DESCRIPTION	CAT. NO.	COLOR	MIN. QTY.	MAX. QTY.		
1	Mushroom Push-Turn Small Operator (comes with mounting bracket 2BRK)	2AMLS1	White	1	1		
		2AMLS2	Black	1	1		
		2AMLS3	Green	1	1		
		2AMLS4	Red	1	1		
		2AMLS6	Blue	1	1		
		2AMLS8	Yellow	1	1		
		2	Mounting Bracket	2BRK	-	1	1
		3	Mounting Bracket Screws	incl. in 2BRK	-	2	2
4	Panel	-	-	-	-		
5	Switch Contacts	S1	Green	1	6		
		S2	Red	1	6		
		S3	Green/Gray	1	6		
		S4	Red/Gray	1	6		

UNLESS OTHERWISE SPECIFIED  
 • ALL DIMENSIONS ARE IN MILLIMETERS  
 • THIRD ANGLE PROJECTION

• TOLERANCE	
XX	1.00 mm
XX.X	0.50 mm
XX.XX	0.20 mm
ALL	XX mm

ORTHOM

This Drawing is the property of  
**Altech Corp.**<sup>®</sup>  
 35 Royal Road  
 Flemington NJ 08822-6000  
 (908) 806-9400 • Fax (908) 806-9490

AND IS A CONFIDENTIAL DISCLOSURE LENT WITHOUT CONSIDERATION OTHER THAN THE BORROWER'S AGREEMENT THAT IT SHALL NOT BE REPRODUCED, COPIED, LENT, OR DISPOSED OF DIRECTLY OR INDIRECTLY NOR USED FOR ANY PURPOSE OTHER THAN THAT FOR WHICH IT IS SPECIFICALLY FURNISHED.

TITLE: 22mm Non-Illuminated Mushroom Metal Operato Push Turn Smallr, PN:2AMLSX

DRAWN BY: Aron Gyorgypal	07/15/16
CHECKED BY: Laszlo G	07/15/16
RELEASED BY: Laszlo G	07/15/16

DRAWING NO.:	M-Cad-1PB-2AMLSX	REV.:	-
SCALE:	-	SHEET:	1 OF: 1