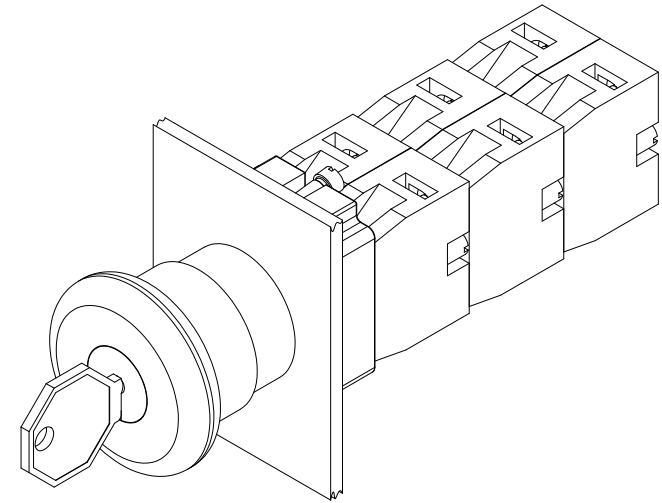
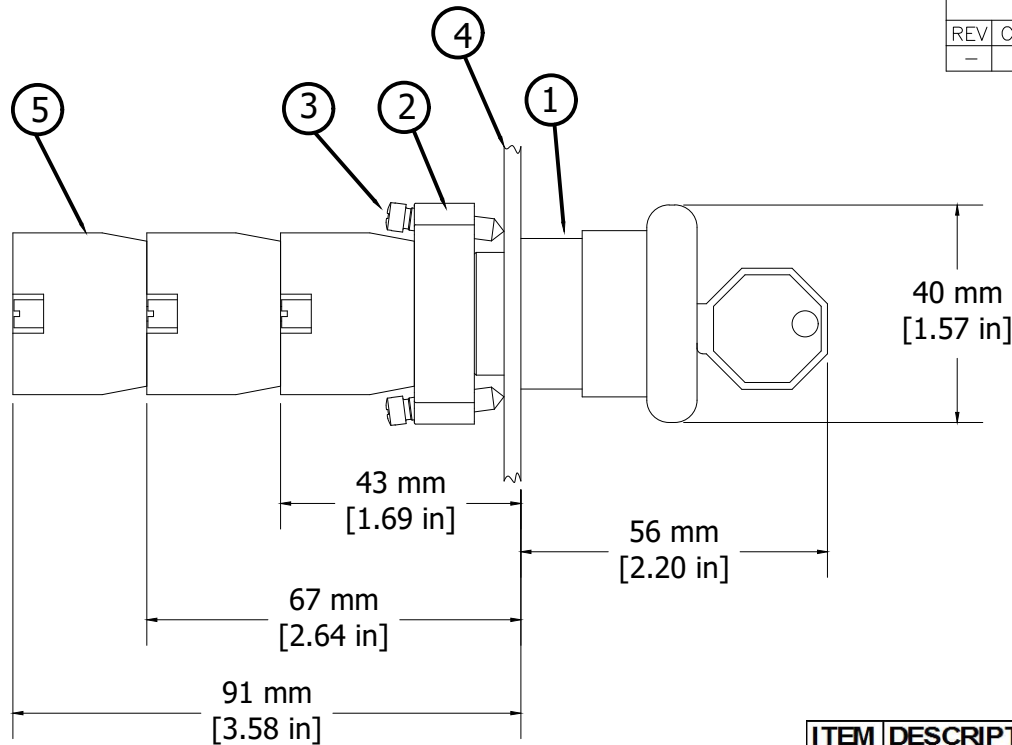


REVISIONS FOR DWG # 2AMLKBX

REV	CH.NO.	DESCRIPTION	DATE	REVISED BY
-	-	ORIGINAL DESIGN	07/15/16	ARON G



ITEM	DESCRIPTION	CAT. NO.	COLOR	MIN. QTY.	MAX. QTY.
1	Mushroom with Key Release(comes with mounting bracket 2BRK)	2AMLKB1	White	1	1
		2AMLKB2	Black	1	1
		2AMLKB3	Green	1	1
		2AMLKB4	Red	1	1
		2AMLKB6	Blue	1	1
		2AMLKB8	Yellow	1	1
2	Mounting Bracket	2BRK	-	1	1
3	Mounting Bracket Screws	incl. in 2BRK	-	2	2
4	Panel	-	-	-	-
5	Switch Contacts	S1	Green	1	6
		S2	Red	1	6
		S3	Green/Gray	1	6
		S4	Red/Gray	1	6
6	Replacement Key	2KY455	-	1	1

UNLESS OTHERWISE SPECIFIED
 • ALL DIMENSIONS ARE IN MILLIMETERS
 • THIRD ANGLE PROJECTION

• TOLERANCE	
XX	1.00 mm
XX.X	0.50 mm
XX.XX	0.20 mm
ALL	XX mm

CIRTIME

This Drawing is the property of

Altrech Corp.

35 Royal Road
 Flemington NJ 08822-6000
 (908) 806-9400 • Fax (908) 806-9490

AND IS A CONFIDENTIAL DISCLOSURE LENT WITHOUT CONSIDERATION OTHER THAN THE BORROWER'S AGREEMENT THAT IT SHALL NOT BE REPRODUCED, COPIED, LENT, OR DISPOSED OF DIRECTLY OR INDIRECTLY NOR USED FOR ANY PURPOSE OTHER THAN THAT FOR WHICH IT IS SPECIFICALLY FURNISHED.

TITLE: 22mm Non-Illuminated Mushroom Metal Operator Key Release, PN:2AMLKBX

DRAWN BY: Aron Gyorgypal	07/15/16	DRAWING NO.:	M-Cad-1PB-2AMLKBX	REV.:	-
CHECKED BY: Laszlo G	07/15/16	SCALE:	-	SHEET:	1 OF: 1
RELEASED BY: Laszlo G	07/15/16				