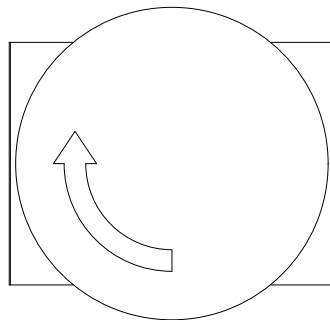
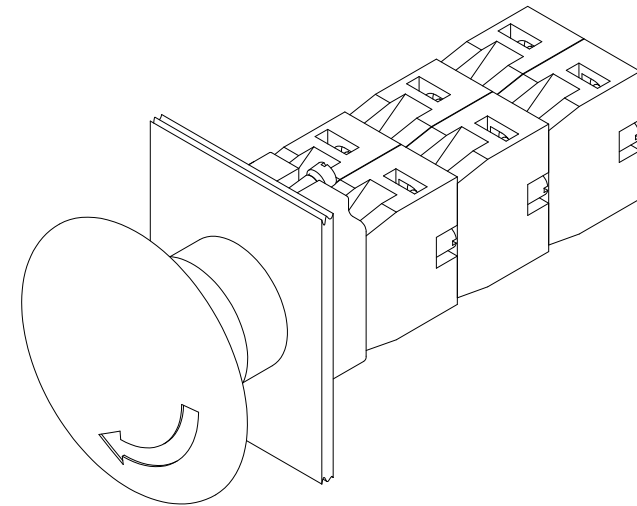
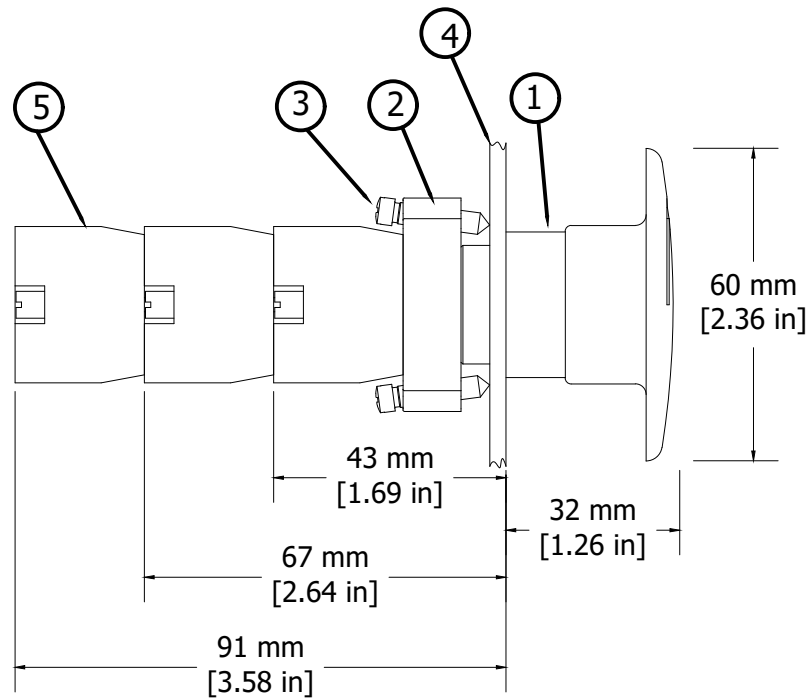


REVISIONS FOR DWG # 2AMLJX

REV	CH.NO.	DESCRIPTION	DATE	REVISED BY
-	-	ORIGINAL DESIGN	07/15/16	ARON G



ITEM	DESCRIPTION	CAT. NO.	COLOR	MIN. QTY.	MAX. QTY.		
1	Mushroom Momentary Large Operator (comes with mounting bracket 2BRK)	2AMJ1	White	1	1		
		2AMJ2	Black	1	1		
		2AMJ3	Green	1	1		
		2AMJ4	Red	1	1		
		2AMJ6	Blue	1	1		
		2AMJ8	Yellow	1	1		
		2	Mounting Bracket	2BRK	-	1	1
		3	Mounting Bracket Screws	incl. in 2BRK	-	2	2
4	Panel	-	-	-	-		
5	Switch Contacts	S1	Green	1	6		
		S2	Red	1	6		
		S3	Green/Gray	1	6		
		S4	Red/Gray	1	6		

UNLESS OTHERWISE SPECIFIED
 • ALL DIMENSIONS ARE IN MILLIMETERS
 • THIRD ANGLE PROJECTION

• TOLERANCE

XX	∅	1.00 mm
XX.X	∅	0.50 mm
XX.XX	∅	0.20 mm
ALL	∅	XX mm

CIRTIME

This Drawing is the property of

Altech Corp.

35 Royal Road
 Flemington NJ 08822-6000
 (908) 806-9400 • Fax (908) 806-9490

AND IS A CONFIDENTIAL DISCLOSURE LENT WITHOUT CONSIDERATION OTHER THAN THE BORROWER'S AGREEMENT THAT IT SHALL NOT BE REPRODUCED, COPIED, LENT, OR DISPOSED OF DIRECTLY OR INDIRECTLY NOR USED FOR ANY PURPOSE OTHER THAN THAT FOR WHICH IT IS SPECIFICALLY FURNISHED.

TITLE: 22mm Non-Illuminated Mushroom Metal Operator Push-Turn Large, PN:2AMLJX

DRAWN BY: Aron Gyorgypal	07/15/16
CHECKED BY: Laszlo G	07/15/16
RELEASED BY: Laszlo G	07/15/16

DRAWING NO.:	M-Cad-1PB-2AMLJX	REV.:	-
SCALE:	-	SHEET: 1	OF: 1