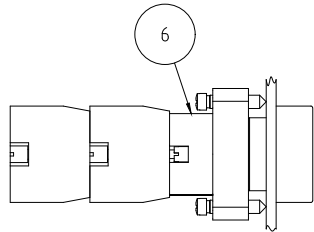
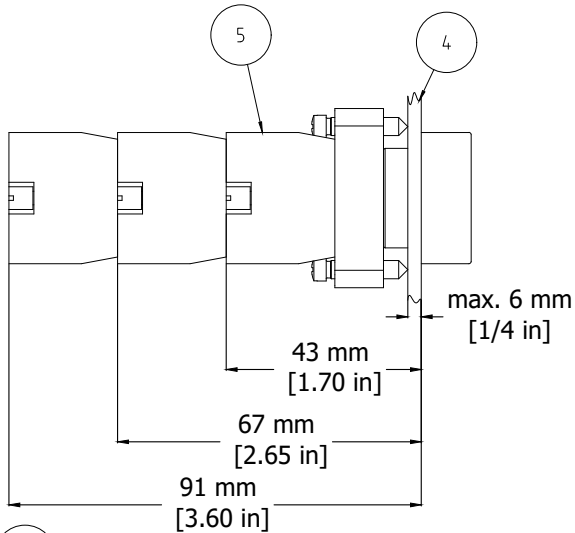
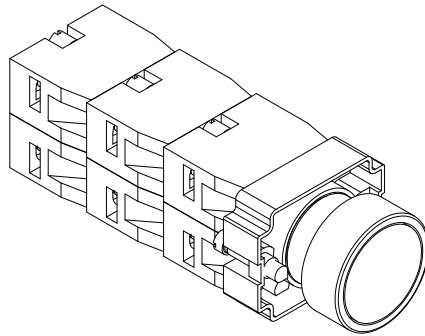
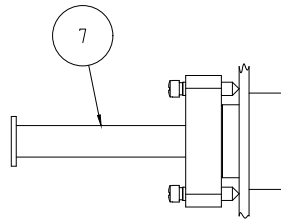


REVISIONS FOR DWG # 2AFX

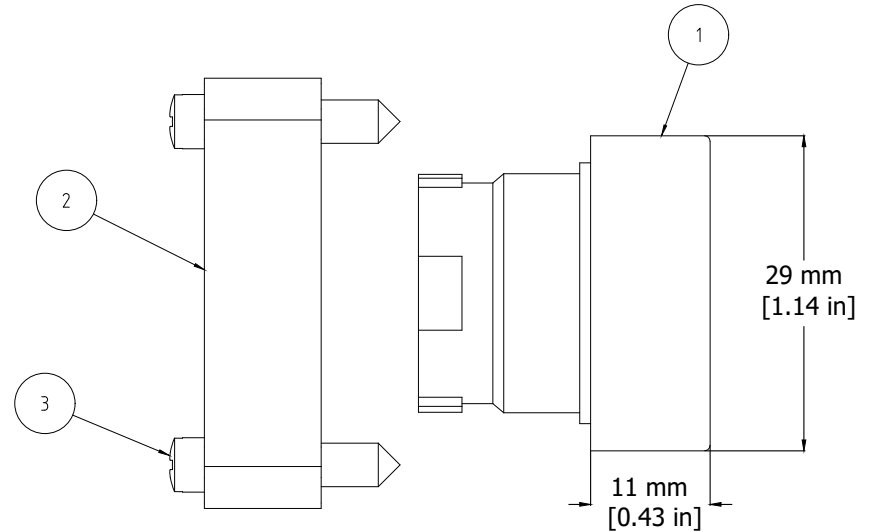
REV	CH.NO.	DESCRIPTION	DATE	REVISED BY
-	-	ORIGINAL DESIGN	07/13/16	ARON G



Push Push mechanism



Remote attachment



ITEM	DESCRIPTION	CAT. NO.	COLOR	MIN. QTY.	MAX. QTY.
1	Flush Operator (comes with mounting bracket 2BRK)	2AF1	White	1	1
		2AF2	Black	1	1
		2AF3	Green	1	1
		2AF4	Red	1	1
		2AF6	Blue	1	1
	2AF8	Yellow	1	1	
2	Mounting Bracket	2BRK	-	1	1
3	Mounting Bracket Screws	incl. in 2BRK	-	2	2
4	Panel	-	-	-	-
5	Switch Contacts	S1	Green	1	6
		S2	Red	1	6
		S3	Green/Gray	1	6
		S4	Red/Gray	1	6
6	Maintained Action Block	2PPM	Black	1	1
7	Remote Attachment	Add Suffix "RR"	-	1	1

UNLESS OTHERWISE SPECIFIED

- ALL DIMENSIONS ARE IN MILLIMETERS
- THIRD ANGLE PROJECTION

• TOLERANCE

XX	∅	1.00 mm
XX.X	∅	0.50 mm
XX.XX	∅	0.20 mm
ALL	∅	XX mm

ORTHOM

This Drawing is the property of

Altrech Corp.

35 Royal Road
Flemington NJ 08822-6000
(908) 806-9400 • Fax (908) 806-9490

AND IS A CONFIDENTIAL DISCLOSURE LENT WITHOUT CONSIDERATION OTHER THAN THE BORROWER'S AGREEMENT THAT IT SHALL NOT BE REPRODUCED, COPIED, LENT, OR DISPOSED OF DIRECTLY OR INDIRECTLY NOR USED FOR ANY PURPOSE OTHER THAN THAT FOR WHICH IT IS SPECIFICALLY FURNISHED.

TITLE: 22 mm Non-Illuminated Metal Operator
Flushed; PN: 2AFX

DRAWN BY:
Aron Gyorgypal

07/15/16

CHECKED BY:
Laszlo G

07/15/16

RELEASED BY:
Laszlo G

07/15/16

DRAWING NO.:

M-Cad-1PB-2AFX

REV.:

-

SCALE:

-

SHEET: 1

OF: 1