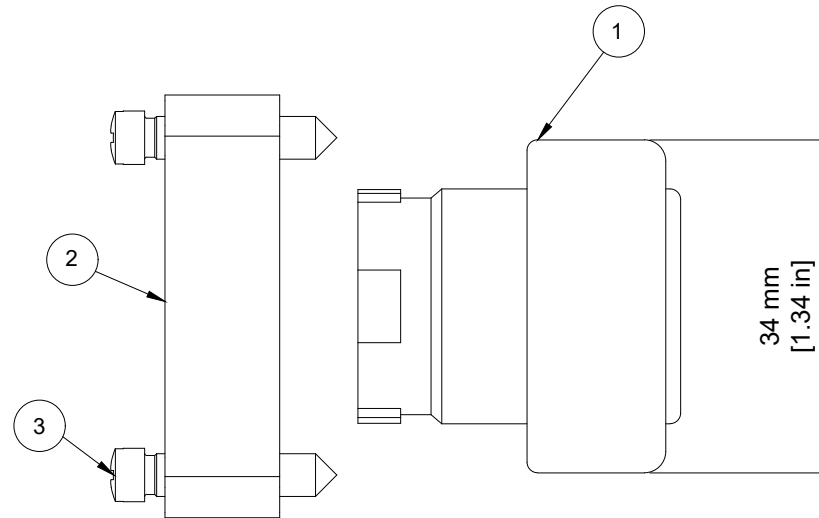
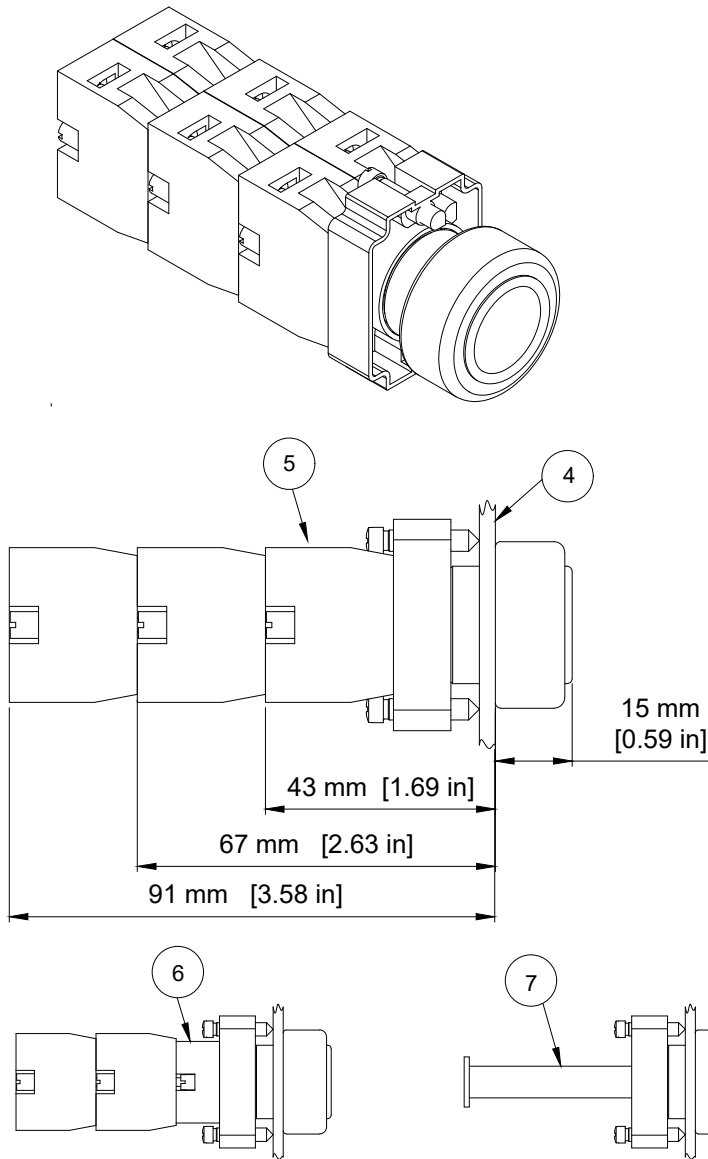


REVISIONS FOR DWG # 2ABX

DESCRIPTION	DATE	REVISED BY
ORIGINAL DESIGN	08/09/16	ARON G



ITEM	DESCRIPTION	CAT. NO.	COLOR	MIN. QTY.	MAX. QTY.
1	Booted Operator (comes with mounting bracket)	2AB1	White	1	1
		2AB2	Black	1	1
		2AB3	Green	1	1
		2AB4	Red	1	1
		2AB6	Blue	1	1
		2AB8	Yellow	1	1
2	Mounting Bracket	2BRK	-	1	1
3	Mounting Bracket Screws	incl. in 2BRK	-	2	2
4	Panel	-	-	-	-
5	Switch Contacts	S1	Green	1	6
		S2	Red	1	6
		S3	Green/Gray	1	6
		S4	Red/Gray	1	6
6	Maintained Action Block	2PPM	Black	1	1
7	Remote Attachment	Add Suffix "RR"	-	1	1

UNLESS OTHERWISE SPECIFIED
 • ALL DIMENSIONS ARE IN MILLIMETERS
 • THIRD ANGLE PROJECTION

• TOLERANCE	
XX	1.00 mm
XX.X	0.50 mm
XX.XX	0.20 mm
ALL	XX mm

CIRTIME

This Drawing is the property of

Altech Corp.

35 Royal Road
 Flemington NJ 08822-6000
 (908) 806-9400 • Fax (908) 806-9490

AND IS A CONFIDENTIAL DISCLOSURE LENT WITHOUT CONSIDERATION OTHER THAN THE BORROWER'S AGREEMENT THAT IT SHALL NOT BE REPRODUCED, COPIED, LENT, OR DISPOSED OF DIRECTLY OR INDIRECTLY NOR USED FOR ANY PURPOSE OTHER THAN THAT FOR WHICH IT IS SPECIFICALLY FURNISHED.

TITLE: 22 mm Non-Illuminated Booted Momentary 2ABx (x=color)

DRAWN BY: Aron Gyorgypal	08/09/16	DRAWING NO.:	M-Cad-2dr-	REV.:	-
CHECKED BY: Markus K	08/09/16	SCALE:	-	SHEET:	1 OF: 1
RELEASED BY: Laszlo G	08/09/16				