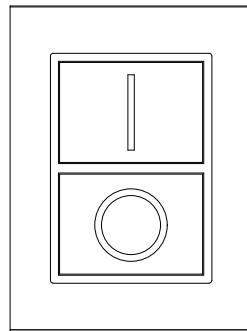
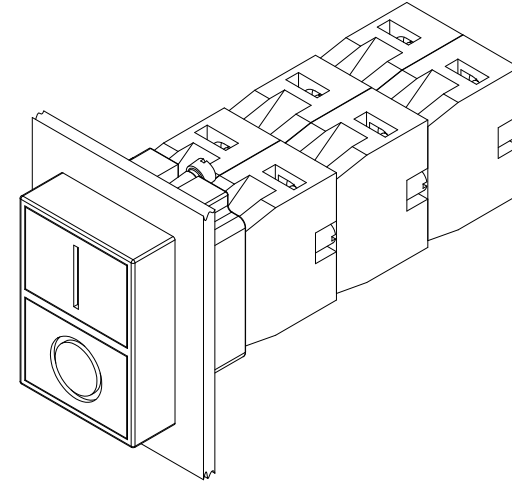
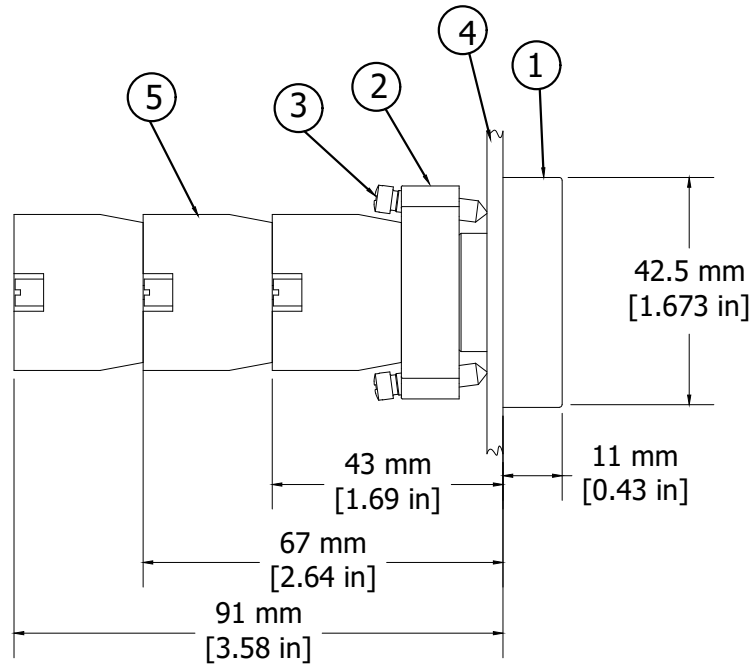


REVISIONS FOR DWG # 2ATFX-FX-IO

REV	CH.NO.	DESCRIPTION	DATE	REVISED BY
-	-	ORIGINAL DESIGN	07/15/16	ARON G



ITEM	DESCRIPTION	CAT. NO.	COLOR	MIN. QTY.	MAX. QTY.
1	Twin Touch/ I-O marked, flush (comes with 2BRK)	2ATF3-F4-IO	Green-Red	1	1
		2ATF8-F2-IO	Yellow-Black	1	1
		2ATF1-F1-IO	White-Black	1	1
2	Mounting Bracket	2BRK	-	1	1
3	Mounting Bracket Screws	incl. in 2BRK	-	2	2
4	Panel	-	-	-	-
5	Switch Contacts	S1	Green	1	6
		S2	Red	1	6
		S3	Green/Gray	1	6
		S4	Red/Gray	1	6

UNLESS OTHERWISE SPECIFIED
 • ALL DIMENSIONS ARE IN MILLIMETERS
 • THIRD ANGLE PROJECTION

• TOLERANCE	
XX	1.00 mm
XX.X	0.50 mm
XX.XX	0.20 mm
ALL	XX mm

CIRTEK

This Drawing is the property of

Altrech Corp.

35 Royal Road
 Flemington NJ 08822-6000
 (908) 806-9400 • Fax (908) 806-9490

AND IS A CONFIDENTIAL DISCLOSURE LENT WITHOUT CONSIDERATION OTHER THAN THE BORROWER'S AGREEMENT THAT IT SHALL NOT BE REPRODUCED, COPIED, LENT, OR DISPOSED OF DIRECTLY OR INDIRECTLY NOR USED FOR ANY PURPOSE OTHER THAN THAT FOR WHICH IT IS SPECIFICALLY FURNISHED.

TITLE: 22mm Twin Touch Metal LED Illuminated Operator I-O Marked, PN: 2ATFX-FX-IO

DRAWN BY: Aron Gyorgypal	07/15/16	DRAWING NO.:	M-Cad-1PB-2ATFX-FX-IO	REV.:	-
CHECKED BY: Laszlo G	07/15/16	SCALE:	-	SHEET:	1 OF: 1
RELEASED BY: Laszlo G	07/15/16				