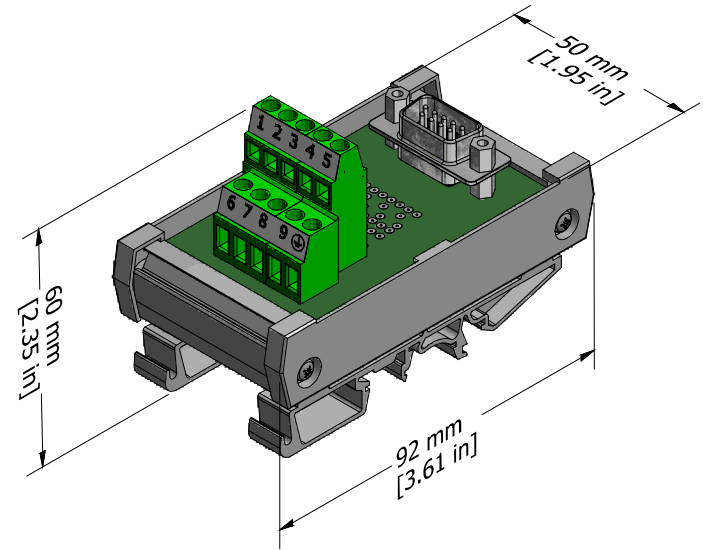
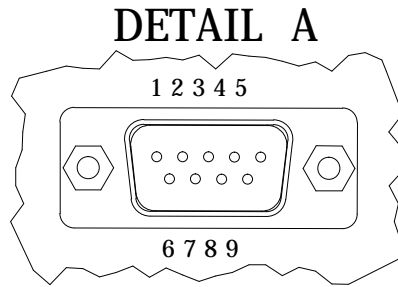
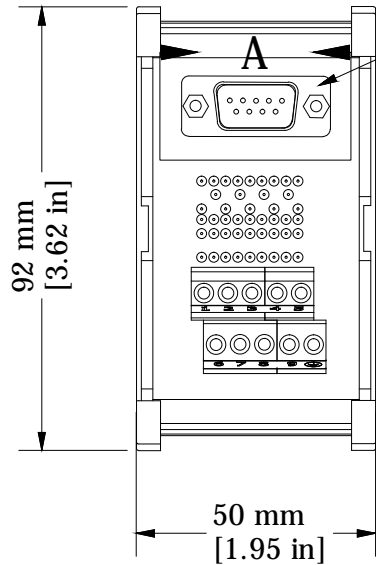
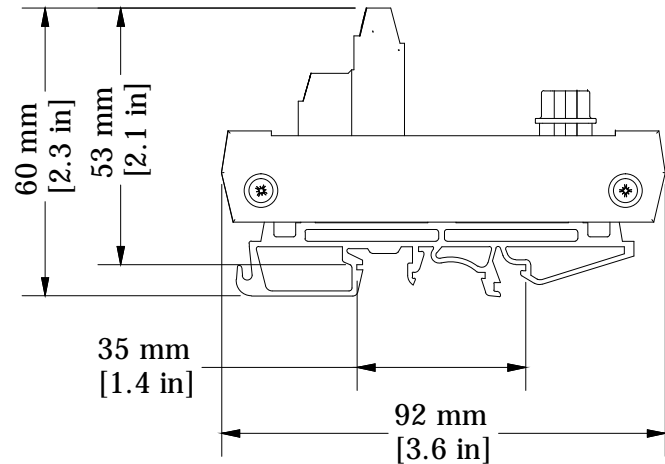
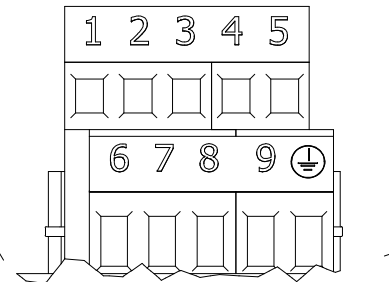
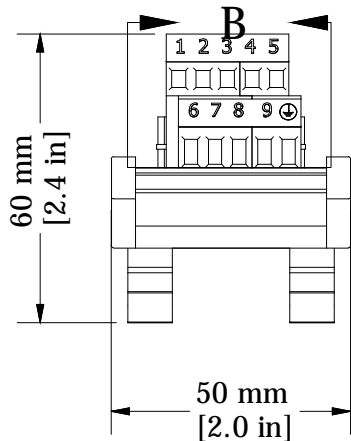


REVISIONS FOR DWG #71-SubD 9M

REV	CH.NO.	DESCRIPTION	DATE	REVISED BY
-	-	ORIGINAL DESIGN	01/18/13	ROLAND G



DETAIL B



UNLESS OTHERWISE SPECIFIED
 • ALL DIMENSIONS ARE IN MILLIMETERS
 • THIRD ANGLE PROJECTION

• TOLERANCE

XX	mm	1.00
XX.X	mm	0.50
XX.XX	mm	0.20
ALL	mm	XX

C-THINK

This Drawing is the property of

Altrech Corp.

35 Royal Road
 Flemington NJ 08822-6000
 (908) 806-9400 • Fax (908) 806-9490

AND IS A CONFIDENTIAL DISCLOSURE LENT WITHOUT CONSIDERATION OTHER THAN THE BORROWER'S AGREEMENT THAT IT SHALL NOT BE REPRODUCED, COPIED, LENT, OR DISPOSED OF DIRECTLY OR INDIRECTLY NOR USED FOR ANY PURPOSE OTHER THAN THAT FOR WHICH IT IS SPECIFICALLY FURNISHED.

TITLE: INTERFACE CONNECTOR TO WIRE MODULE
 Sub-D; 9 Pin; MALE ; PN: 5740.2

DRAWN BY: ROLAND GYORGYPAL	01/18/2013	DRAWING NO.:	M-CAD-71-SubD9M	REV.:	-
CHECKED BY: LASZLO G	01/18/2013	SCALE:	-	SHEET:	1 OF: 1
RELEASED BY: LASZLO G	01/18/2013				