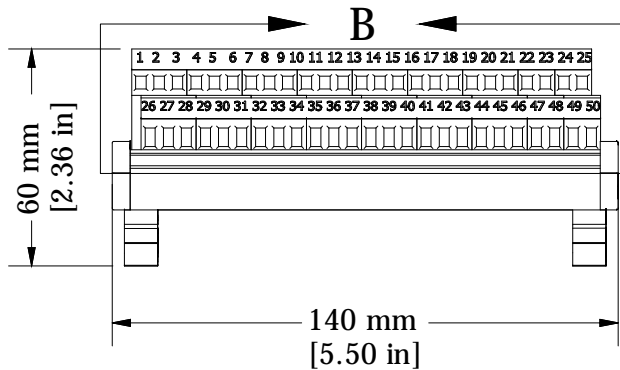
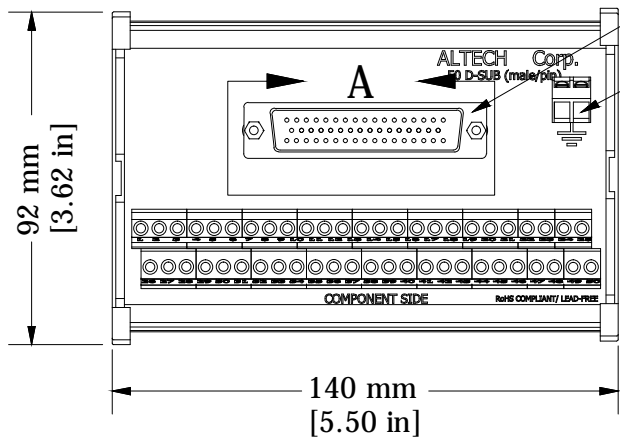
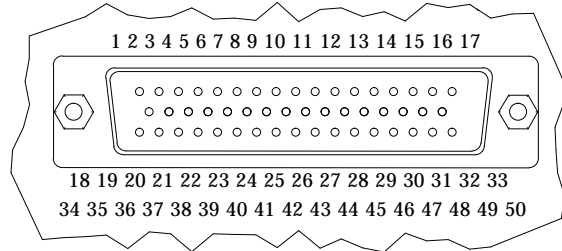


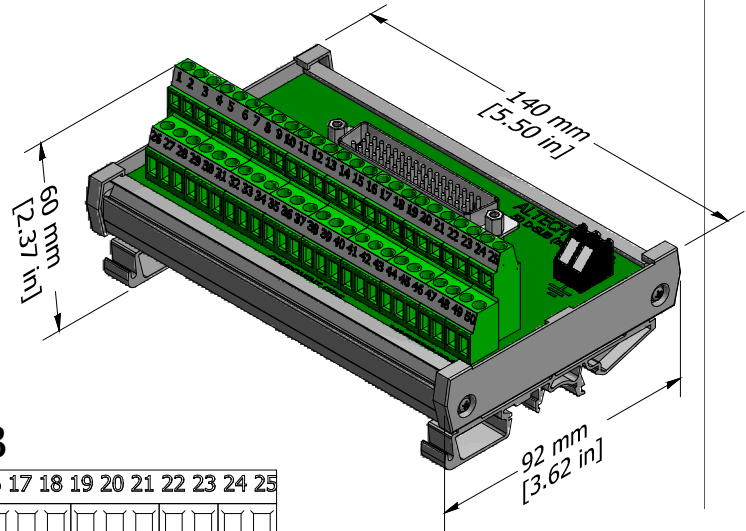
DETAIL A



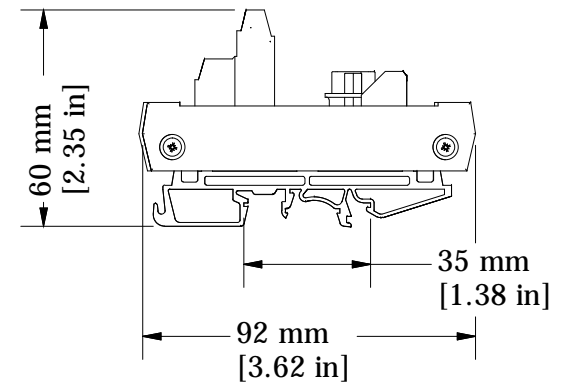
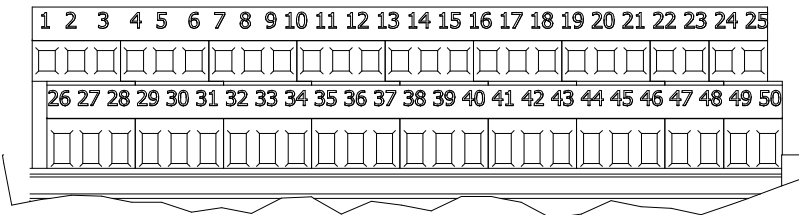
SD 50 Pin MAIL CONNECTOR
GROUND WIRE CONNECTOR

REVISIONS FOR DWG # 71-SubD 50M

REV	CH.NO.	DESCRIPTION	DATE	REVISED BY
-	-	ORIGINAL DESIGN	01/18/13	ROLAND G



DETAIL B



UNLESS OTHERWISE SPECIFIED
• ALL DIMENSIONS ARE IN MILLIMETERS
• THIRD ANGLE PROJECTION

TOLERANCE	XX	XX.X	XX.XX	ALL
ID	1.00 mm	0.50 mm	0.20 mm	XX mm

O-RING

This Drawing is the property of
Altech Corp.

35 Royal Road
Flemington NJ 08822-6000
(908) 806-9400 • Fax (908) 806-9490

AND IS A CONFIDENTIAL DISCLOSURE LENT WITHOUT CONSIDERATION OTHER THAN THE BORROWER'S AGREEMENT THAT IT SHALL NOT BE REPRODUCED, COPIED, LENT, OR DISPOSED OF DIRECTLY OR INDIRECTLY NOR USED FOR ANY PURPOSE OTHER THAN THAT FOR WHICH IT IS SPECIFICALLY FURNISHED.

TITLE: INTERFACE CONNECTOR TO WIRE MODULE
Sub-D; 50 Pin; MALE; PN:5744.2

DRAWN BY: ROLAND GYORGPAL	01/18/2013	DRAWING NO.:	M-CAD-71-SubD50M	REV.:	-
CHECKED BY: LASZLO G	01/18/2013	SCALE:	-	SHEET:	1 OF: 1
RELEASED BY: LASZLO G	01/18/2013				